

# SPARX 3 PHASE POWER BOX

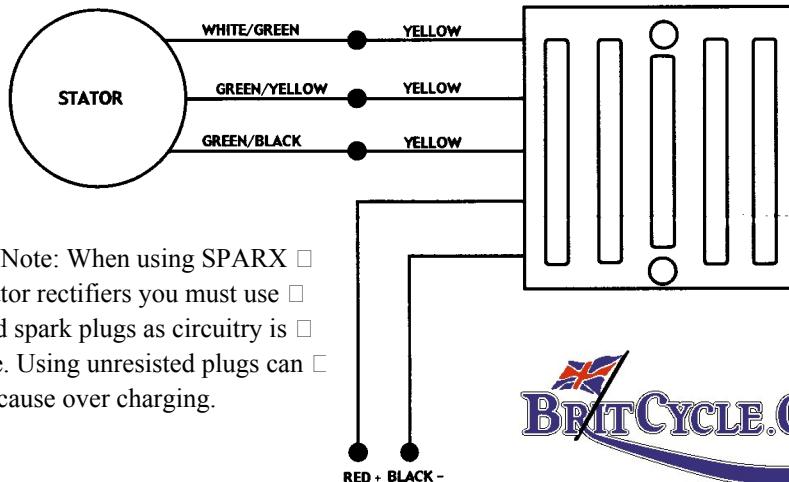
SIMPLY CONNECT THE **3** OUTPUT WIRES FROM THE **3** PHASE STATOR TO THE **3** YELLOW AC WIRES OF YOUR **SPARX** BOX. THE RED+ AND THE BLACK- THEN CONNECT INTO YOUR MOTORCYCLE WIRING

BRITISH CYCLE SUPPLY

Call (902)542-7478

Fax (902)542-7479

[info@britevcycle.com](mailto:info@britevcycle.com)



Please Note: When using SPARX  regulator rectifiers you must use  resisted spark plugs as circuitry is  sensitive. Using unresisted plugs can  cause over charging.

  
**BRITCYCLE.COM**