

NORMAN HYDE

TIMING SIDE

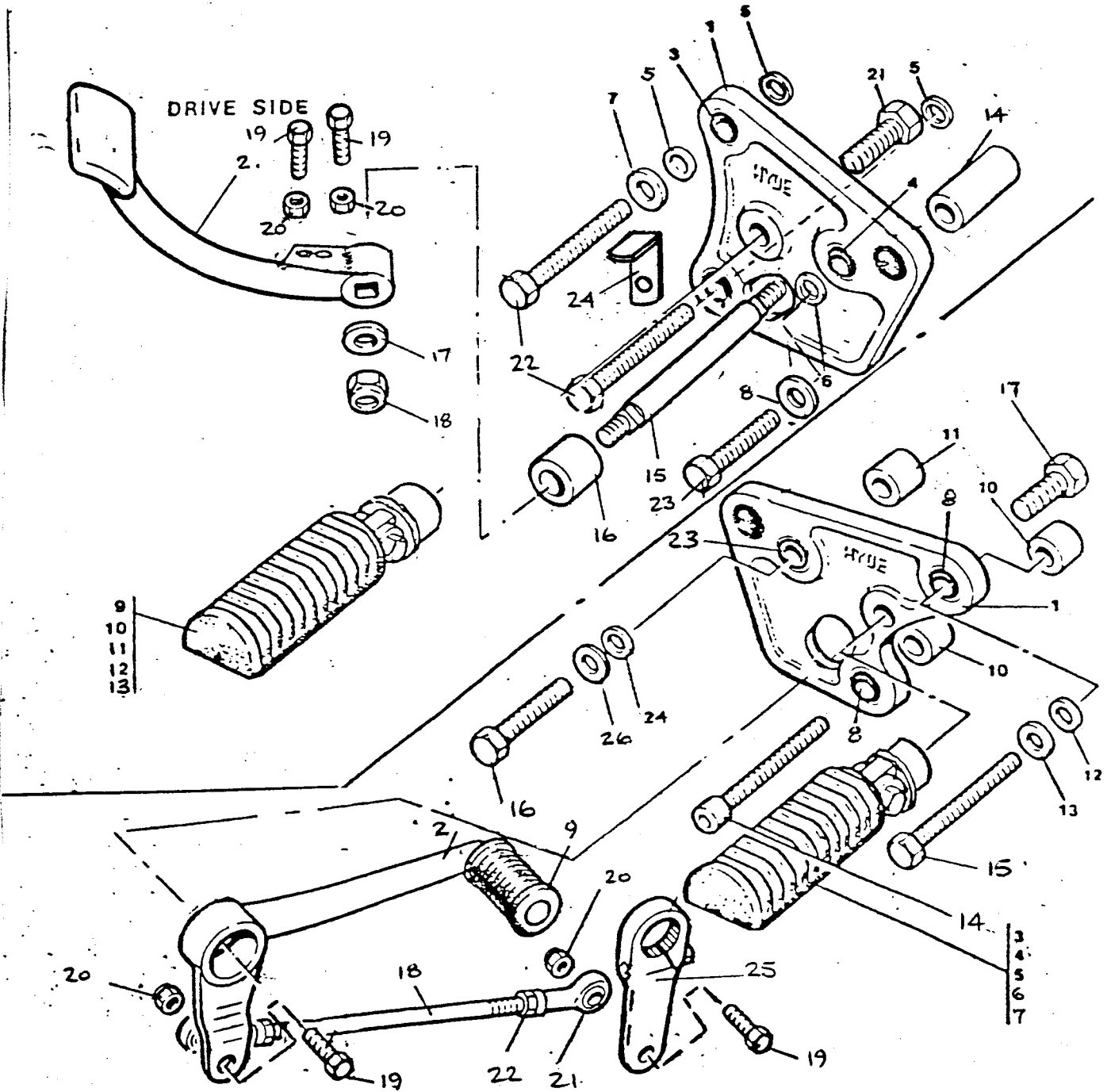
1.	Aluminium side plate	1	off	1160
2.	Gear Pedal Assembly	1	"	1180
3.	Footrest boss	1	"	1105
4.	" blade	1	"	1106
5.	" rubber	1	"	1107
6.	Pivot bolt	1	"	1119
7.	" nut	1	"	1120
8.	Rubber/metal bush 0.32" bore	2	"	1109
9.	Rubber gear pedal	1	"	1124
10.	Spacer 0.31" x 0.33" x 0.62"	2	"	1111
11.	" 0.31" x 0.39" x 0.62"	1	"	1140
12.	Washer 0.32" x 0.53" x 0.05"	1	"	1113
13.	" 1" x 0.33" x 0.05"	1	"	1114
14.	Allen screw 5/16" UNF x 3"	1	"	1110
15.	Bolt " " " "	1	"	1149
16.	" 3/8" UNF x 1.75"	1	"	1134
17.	" " " 0.88"	1	"	1118
18.	Rod 7"	1	"	1127
19.	Bolt 1/4" UNF x 0.88"	2	"	1128
20.	Lock nut 1/4" UNF	2	"	1130
21.	Rose joint	2	"	1125
22.	1/2 nut 1/4" UNF	2	"	1126
23.	Rubber /metal bush 0.38" bore	1	"	1133
24.	Washer 0.39" x 0.62" x 0.05"	1	"	1135
25.	Operating Lever	1	"	1131
26.	Washer 0.39" x 1" x 0.05"	1	"	1136

DRIVE SIDE

1.	Aluminium side plate	1	off	1173
2.	Brake pedal assembly	1	"	1182
3.	Rubber/metal bush 0.32" bore	2	"	1109
4.	" " " 0.38" "	1	"	1133
5.	Washer 0.32" x 0.53" x 0.05"	3	"	1113
6.	" 0.39" x 0.62" x 0.05"	1	"	1135
7.	" 0.32" x 1" x 0.05"	1	"	1114
8.	" 0.39" x 1" x 0.05"	1	"	1136
9.	Footrest boss	1	"	1147
10.	" blade	1	"	1106
11.	" rubber	1	"	1107
12.	Bolt 5/16" UNF x 1"	1	"	1119
13.	Nut "	1	"	1120
14.	Spacer 1.635" x 0.39" x 5/8"	1	"	1142
15.	Pedal spindle	1	"	1137
16.	Spacer	1	"	1179
17.	Washer 0.39"	1	"	1139
18.	Nut 3/8" UNF	1	"	1138
19.	Bolt 1/4" UNF x 0.88"	2	"	1128
20.	1/2 Nut 1/4" UNF	2	"	1126
21.	Bolt 3/8" UNF x 0.88"	1	"	1118
22.	Bolt 5/16" UNF x 3"	2	"	1149
23.	" 3/8" UNF x 3.25"	1	"	1141
24.	Up-stop brake pedal	1	"	1183

NORVAN HYDE FOOTREST KIT T150

1. Check all parts against list.
2. Assemble as diagrams with grease at gear pedal pivot.
3. Adjust gear linkage rod length to affect pedal height.



P.T.O. FOR PARTS LIST