

CATALOGUE OF



FOR

A65 LIGHTNING

A65 FIREBIRD SCRAMBLER

A65 THUNDERBOLT

A50 ROYAL STAR

ISSUED BY

B.S.A. MOTOR CYCLES LTD.

Service Department, Armoury Road,
Birmingham 11

TELEPHONE 021-772-2381

TELEGRAMS "SELMOTO BIRMINGHAM"

CONTENTS:

Quantity: 1

Part # 216-005707

Description: 1970 BSA A50/A65

Spare Parts List

Tel:(902)542-7478

www.britcycle.com

With Compliments



604 Davison St, RR3 Wolfville, NS, B4P 2R3, Canada

146 Porter St, Hackensack, NJ, 07601, USA

info@britcycle.com

www.britcycle.com

Tel: (902)542-7478

Fax: (902)542-7479

info@britcycle.com

Help yourselves by helping us to expedite orders promptly and efficiently.



IMPORTANT

When consulting your BSA parts books for part numbers, check carefully to be sure you have written the part numbers correctly. BSA part numbers are composed of two digits, a dash, and at least four digits following. Occasionally, there will be a six digit number followed by a slash mark and then one digit, two digits, or three digits. For example, BSA part numbers may be correctly listed as follows:

67-0949	97-3896/3
42-6528/88	97-3795/177

However, some of the older parts books may show the part numbers entirely different. For example, there are listings as follows:

2-525	2-49
40-24	67-949

In all cases, BSA part numbers must be entered on your parts orders with two digits, a dash, and at least four digits following. When you look up a BSA part number in a BSA parts book, and it does not show two digits, a dash, and at least four digits, it will be necessary to convert the number to this form, to either enter the part number correctly on your parts order, or to assist you in looking up a price in this Price List. To convert the old part number, fill in the missing digits with zeros:

2-525	should be	02-0525
2-49	should be	02-0049
40-24	should be	40-0024
67-949	should be	67-0949



PART NUMBER CONVERSION

In 1973 Triumph introduced a numerical part numbering system which supersedes the old alpha-numeric numbering system. Prefix letters have been converted to numeric prefixes as follows:

ALPHA-NUMERIC	CONVERTS TO	NUMERIC
DXXXX		60-XXXX
EXXXX (4 Digits)		70-XXXX
EXXXXX (5 Digits)		71-XXXX
FXXXX (4 Digits)		82-XXXX
FXXXXX (5 Digits)		83-XXXX
HXXXX		97-XXXX
SXXXX		21-XXXX
TXXXX		57-XXXX
WXXXX		37-XXXX

This chart is supplied as an aid

to converting older Alpha-Numeric part numbers.

MODEL A65 LIGHTNING (EXCEPT U.S.A.)

ALTERATIONS TO PARTS LIST
PAGES 63 AND 65.

PAGE	REF.		REMARKS
63	4	68-8012	Change to 82-9794
63	5	76-0012	„ „ 82-9795
63	6	68-8039	„ „ 82-9721
63	7	82-9611	Delete 4 Gall.
63	7	Add 82-4971	3½ Gall.
63	8	82-8409	Delete 4 Gall.
63	8	Add 83-1521	3½ Gall.
63	13	68-8018	Delete 4 Gall.
63	13	Add 82-9792	3½ Gall.
63	14	68-8176	Delete 4 Gall.
63	14	Add 82-9796	3½ Gall.
63	15	68-8024	Delete 4 Gall.
63	15	Add 82-4972	3½ Gall.
63	16	82-9204	Delete 4 Gall.
63	16	Add 70-7351 (2)	3½ Gall.
63	16	Add 83-0002 (2)	3½ Gall.
63	19	68-8011	Change to 82-9793
63	22	68-8035	Delete 4 Gall.
63	22	Add 82-9782	3½ Gall.
65	24	75-8009	Change to 68-8190
65	26	68-8038	Delete Line
65	27	68-8189	Change to 82-9729
65	30	68-8017	Change to 82-9791
65	32	21-6050	Delete Line
65	32	Add 21-5662	3½ Gall.
65	35	42-8114	Delete Line
65	35	42-8115	Delete Line
65	36	24-7178	Delete Line
65	37	40-8029	Delete Line
65	37	40-8030	Delete Line

ALL OTHER REFERENCE TO 4 GALL. ON PAGES 63 AND 65 SHOULD BE CHANGED TO 3½ GALL.

MODEL A65 FIREBIRD (EXCEPT U.S.A.)

**ALL PARTS DETAILED IN PARTS LIST NUMBER 00-5707 APPLY TO U.S.A. AND OTHER MARKETS
EXCEPT THE FOLLOWING WHICH DO NOT APPLY TO U.S.A. MODELS.**

PART NO.	PER SET	DESCRIPTION
82-9609	1	Petrol Tank, 2½ Gall.
68-8190	1	Filler Cap, Petrol Tank
68-8191	1	Filler Cap Rivet
82-9796	1	Tank Bracket
68-8054	1	Rubber Bush, Tank Bracket
21-5662	(2)	Bolt, Tank Bracket
82-9791	1	Front Support Rubber
82-9792	1	Rear Support Rubber
82-9793	1	Tank Mounting Bolt
82-9795	1	Washer, Tank Mounting
82-9794	1	Spacer Tube, Tank Mounting
68-8016	1	Washer—Top
82-9782	1	Beading Holder
68-8019	1	Mounting Ring
68-8013	1	'O' Ring, Beading Holder
82-9721	1	Trim Strip—Rear
82-9696	1	Tank Badge R/H
82-9695	1	Tank Badge L/H
82-8250	4	Badge Screw
82-4971	1	Petrol Tap L/H
82-4972	1	Petrol Tap R/H
70-7351	(2)	Petrol Tap Seal
83-1521	1	Petrol Pipe Assembly
19-1884	2	H/T Lead (Resistive Cable)

SUFFIX NUMBERS TO BE USED TO IDENTIFY VARYING FINISHES

When ordering components with varying finishes, please state finish required by adding the appropriate number to part number.

MODEL ABBREVIATIONS:	L =	A65 LIGHTNING
	T =	A65 THUNDERBOLT
	R =	A50 ROYAL STAR
	F =	A65 FIREBIRD SCRAMBLER

PETROL TANK:

BLUE CENTRE, WHITE LINING, CHROME SIDE PANELS (A65 Lightning)	/268
BLUE CENTRE, WHITE LINING, CHROME SIDE PANELS (A65 Firebird)	/269
GREY CENTRE, WHITE LINING, CHROME SIDE PANELS	/270
FLAMBOYANT RED, WHITE LINING, CHROME SIDE PANELS	/277
FLAMBOYANT AIRCRAFT BLUE, CHROME PANELS, WHITE LINING	/228
BLACK, CHROME PANELS, WHITE LINING	/233

MUDGUARDS:

CHROME	/003
FLAMBOYANT AIRCRAFT BLUE, WHITE LINING	/229
BLACK, SINGLE WHITE LINE	/234

OTHER PARTS:

CHROME	/003
BLACK	/007
SILVER	/165
BLUE (A65 Lightning)	/271
BLUE (A65 Firebird)	/272
GREY	/274
FLAMBOYANT RED, WHITE LINING	/276
FLAMBOYANT AIRCRAFT BLUE.. .. .	/227

PRICES:

No price codes are quoted in this list. For prices please refer to the Master Price List No. 00-5125.

Wherever possible details of thread form and size are quoted after description of nuts, bolts, screws, studs and washers. Such as: 14-7006 Socket screw ($\frac{1}{4}$ " Unified Coarse \times 1") = $\frac{1}{4}$ " diameter Unified Coarse thread 1" long under head.

Vital components, which are manufactured from special material, are indicated by a sign and the British Standard symbol for the material is quoted at the foot of the page.

PISTON CHART

Model	Ratio	Bore Size	Piston Complete	Compression Ring	Scraper Ring
A50	9.0	Standard	68-0434	68-0296 68-0354 (taper)	68-0299
A50	9.0	+½ mm.	68-0436	68-0297 68-0355 (taper)	68-0300
A50	9.0	+1 mm.	68-0438	68-0298 68-0356 (taper)	68-0301
A65	7.5	Standard	68-0819	68-0256 68-0357 (taper)	68-0259
A65	7.5	+½ mm.	68-0820	68-0257 68-0358 (taper)	68-0260
A65	7.5	+1 mm.	68-0821	68-0258 68-0359 (taper)	68-0261
A65	9.0	Standard	68-0906	68-0256 68-0357 (taper)	68-0259
A65	9.0	+½ mm.	68-0908	68-0257 68-0358 (taper)	68-0260
A65	9.0	+1 mm.	68-0910	68-0258 68-0359 (taper)	68-0261

British Cycle Supply Company
CARBURETTERS AND SETTINGS

AMAL LIMITED, HOLDFORD ROAD, WITTON, BIRMINGHAM, ENGLAND.

Model	B.S.A. Number	Amal Number	Main Jet	Pilot Jet	Throttle Slide	Needle Jet	Needle Position
A65 Lightning (left-hand)	*19-2421	L930-35	180	622/107	3	·106	1
A65 Lightning (right-hand)	*19-2420	R930-34	180	622/107	3	·106	1
A65 Firebird (left-hand)	*19-2421	L930-35	180	622/107	3	·106	1
A65 Firebird (right-hand)	*19-2420	R930-34	180	622/107	3	·106	1
A65 Thunderbolt ..	19-2422	R928-6	230	622/107	3½	·106	1
A50 Royal Star ..	19-2423	R626-19	200	622/107	3½	·106	2

*These carburetters are "handed" by machining of the pilot air and throttle stop screws.

British Cycle Supply Company
STEERING LOCK AND KEY

Lock No.	Key No.	Lock No.	Key No.	Lock No.	Key No.
EJR 1	19-5151	EJR 18	19-5168	EJR 35	19-5185
EJR 2	19-5152	EJR 19	19-5169	EJR 36	19-5186
EJR 3	19-5153	EJR 20	19-5170	EJR 37	19-5187
EJR 4	19-5154	EJR 21	19-5171	EJR 38	19-5188
EJR 5	19-5155	EJR 22	19-5172	EJR 39	19-5189
EJR 6	19-5156	EJR 23	19-5173	EJR 40	19-5190
EJR 7	19-5157	EJR 24	19-5174	EJR 41	19-5191
EJR 8	19-5158	EJR 25	19-5175	EJR 42	19-5192
EJR 9	19-5159	EJR 26	19-5176	EJR 43	19-5193
EJR 10	19-5160	EJR 27	19-5177	EJR 44	19-5194
EJR 11	19-5161	EJR 28	19-5178	EJR 45	19-5195
EJR 12	19-5162	EJR 29	19-5179	EJR 46	19-5196
EJR 13	19-5163	EJR 30	19-5180	EJR 47	19-5197
EJR 14	19-5164	EJR 31	19-5181	EJR 48	19-5198
EJR 15	19-5165	EJR 32	19-5182	EJR 49	19-5199
EJR 16	19-5166	EJR 33	19-5183	EJR 50	19-5200
EJR 17	19-5167	EJR 34	19-5184		

CARBURETTORS:

AMAL LIMITED, HOLDFORD ROAD, WITTON, BIRMINGHAM 6.

CHAINS:

REYNOLDS CHAINS LIMITED, WYTHENSHAW, MANCHESTER.

ELECTRICAL EQUIPMENT:

J. LUCAS LIMITED, GREAT HAMPTON STREET, BIRMINGHAM 18.

WIPAC GROUP SALES LIMITED, LONDON ROAD, BUCKINGHAM.

SPEEDOMETERS:

SMITH'S MOTOR ACCESSORIES LIMITED, CRICKLEWOOD WORKS, LONDON N.W.2.

TYRES:

DUNLOP COMPANY LIMITED, FORT DUNLOP, BIRMINGHAM 24.

SPARKING PLUGS:

CHAMPION SPARKING PLUG COMPANY LIMITED, FELTHAM, MIDDLESEX.

SHOCK ABSORBERS:

GIRLING LIMITED, BIRMINGHAM ROAD, WEST BROMWICH, STAFFS.

INDEX

	ASSEMBLIES COMPLETE	Page 9
Plate 1	CYLINDER HEAD	Page 10 - 13
Plate 2	CYLINDER BARREL, EXHAUST PIPES, VALVES	Page 14 - 15
Plate 3	CRANKSHAFT	Page 16 - 17
Plate 4	CRANKCASE	Page 18 - 19
Plate 5	OIL PUMP, GEARBOX SPROCKET	Page 20 - 21
Plate 6	GEAR CLUSTER, CAMSHAFT	Page 22 - 25
Plate 7	INNER TIMING COVER, GEARCHANGE MECHANISM	Page 26 - 27
Plate 8	OUTER TIMING COVER, KICKSTART AND FOOTCHANGE	Page 28 - 29
Plate 9	CLUTCH AND PRIMARY CHAINCASE	Page 30 - 33
Plate 10	FRAME, ENGINE SHIELD, BATTERY CARRIER	Page 34 - 37
Plate 11	SWINGING ARM, CENTRE STAND, REAR BRAKE CONTROL	Page 38 - 41
Plate 12	HANDRAIL, SUPPORT RAIL, FOOTRESTS	Page 42 - 43
Plate 13	OIL TANK, TOOLBOX, SILENCERS	Page 44 - 45
Plate 14	SIDECOVERS, AIR CLEANER	Page 46 - 47
Plate 15	STEERING HEAD	Page 48 - 49
Plate 16	FRONT FORKS	Page 50 - 51
Plate 17	FRONT WHEEL	Page 52 - 53
Plate 18	REAR WHEEL	Page 54 - 57
Plate 19	FRONT MUDGUARD	Page 58 - 59
Plate 20	REAR MUDGUARD AND CHAINGUARD	Page 60 - 61
Plate 21	PETROL TANK (STEEL), TWIN SEAT	Page 62 - 65
Plate 22	PETROL TANK, HANDLEBAR AND CONTROLS	Page 66 - 69
Plate 23	ELECTRICAL EQUIPMENT	Page 70 - 75
Plate 24	CARBURETTER	Page 76 - 77
Plate 25	TOOLKIT	Page 78 - 79
Plate 26	REAR CARRIER WITH PANNIERS	Page 80 - 81
Plate 27	REAR CARRIER, SHORT SEAT, SAFETY BARS	Page 82 - 83

British Cycle Supply Company
ASSEMBLIES COMPLETE

<i>Model</i>	<i>Spares No.</i>	<i>Description</i>
L	71-1091	ENGINE/GEARBOX UNIT (standard gears, 20 teeth gearbox sprocket).
F	71-1093	ENGINE/GEARBOX UNIT (standard gears, 20 teeth gearbox sprocket).
T	71-1094	ENGINE/GEARBOX UNIT (standard gears, 20 teeth gearbox sprocket).
F	71-1096	ENGINE/GEARBOX UNIT (standard gears, 18 teeth gearbox sprocket).
L	71-1092	ENGINE/GEARBOX UNIT (close ratio gears, 20 teeth gearbox sprocket).
I, T, F	71-1151	CRANKSHAFT AND FLYWHEEL ASSEMBLY.
R	68-0737	CRANKSHAFT AND FLYWHEEL ASSEMBLY.
L, T, R, F	68-3270	CLUTCH COMPLETE.
L, T, R, F	71-1135	OIL PUMP COMPLETE.
L, T, R, F	83-1576	FRAME COMPLETE.
L, T, R, F	97-3902	FRONT FORK COMPLETE.
L, T, R, F	37-3405	FRONT WHEEL WITH SPINDLE AND BEARINGS.
L, T, R, F	37-3404	FRONT HUB WITH SPINDLE AND BEARINGS.
L, T, R, F	37-3461	FRONT BRAKE ANCHOR PLATE WITH BRAKE DETAILS.
L, T, R, F	68-6145	REAR WHEEL WITH SPINDLE AND BEARINGS.
L, T, R, F	68-6114	REAR HUB WITH SPINDLE AND BEARINGS.

Plate 1

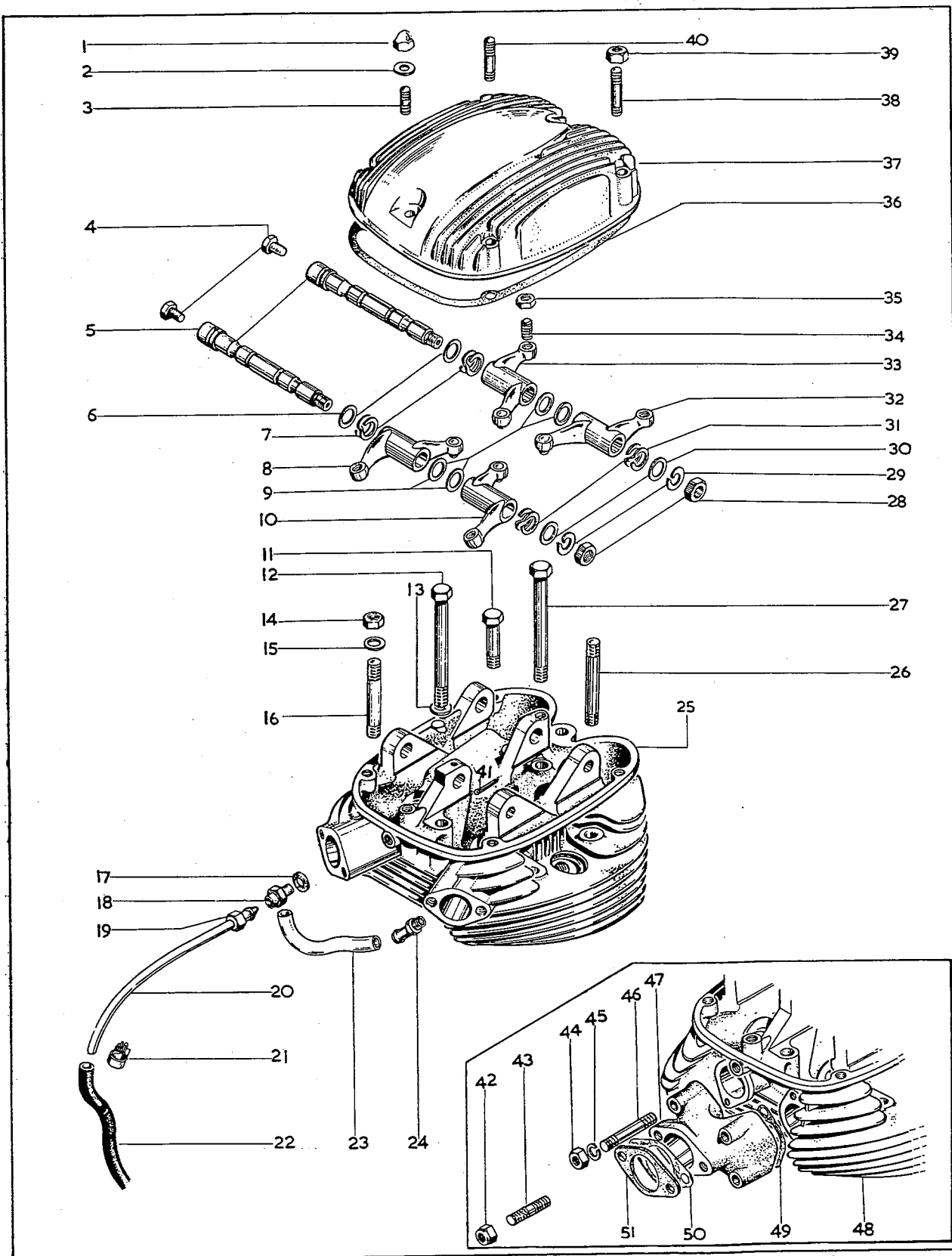


Plate 1

CYLINDER HEAD

<i>Model</i>	<i>Plate Ref.</i>	<i>Spares No.</i>	<i>Description</i>	<i>Per Set</i>
R		00-3170	Decoke gasket set	1
L, T, F		00-3169	Decoke gasket set	1
R		00-3312	Full gasket set	1
L, T, F		00-3311	Full gasket set	1
L, T, R, F	1.	68-0137	Domed nut, rocker box ($\frac{1}{4}$ " British Standard Cycle)	2
L, T, R, F	2.	02-0525	Washer, rocker box studs ($\frac{1}{4}$ " \times $\frac{1}{2}$ " \times .048")	6
L, T, R, F	3.	68-0087	Rocker box stud, rear ($\frac{1}{4}$ " British Standard Cycle/ British Standard Fine \times 29/32")..	1
L, T, R, F	3.	68-0876	Rocker box stud, front ($\frac{1}{4}$ " British Standard Cycle/ British Standard Fine \times 1-17/32")	1
L, T, R, F	4.	68-0344	Bolt, rocker spindle ($\frac{1}{4}$ " Whitworth)	2
L, T, R, F	5.	68-0192	Rocker spindle, inlet and exhaust	2
L, T, R, F	6.	40-0158	Thrust washer, rocker ..	2
L, T, R, F	7.	40-0156	Spring washer, rocker ..	2
L, T, R, F	8.	68-0147	Inlet rocker (left-hand)	1
L, T, R, F	9.	40-0158	Thrust washer, rocker ..	4
L, T, R, F	10.	68-0149	Inlet rocker (right-hand)	1
L, T, R, F	11.	67-0283*	Bolt, short, cylinder head ($\frac{3}{8}$ " British Standard Fine \times 1 $\frac{1}{2}$ ")	1
L, T, R, F	12.	68-0337*	Bolt, long, cylinder head, rear ($\frac{3}{8}$ " British Standard Fine \times 4 $\frac{1}{16}$ ")	2
L, T, R, F	13.	02-2138	Washer, head to barrel	2
L, T, R, F	14.	40-0483*	Stud nut, cylinder head ($\frac{3}{8}$ " British Standard Cycle)	4
L, T, R, F	15.	02-2138	Washer, head to barrel ($\frac{3}{8}$ " \times $\frac{3}{4}$ " \times $\frac{1}{16}$ ")	7
L, T, R, F	16.	68-0079*	Stud, short, cylinder head ($\frac{3}{8}$ " British Standard Cycle/British Standard Fine \times 2-13/16")	2
L, T, R, F	17.	76-0378	Fibre washer, oil feed union..	1
L, T, R, F	18.	76-0308	Adaptor, rocker oil feed pipe	1
L, T, R, F	19.	29-2089	Nut, rocker oil feed pipe	1
L, F	20.	68-0927	Rocker oil feed pipe	1
T, R	20.	68-0925	Rocker oil feed pipe	1
L, T, R, F	21.	62-0263	Clip, oil feed pipe	2
L, F	22.	68-0923	Rubber connection, oil feed pipe	1
T, R	22.	68-0924	Rubber connection, oil feed pipe	1
L, F	23.	70-8213	Inlet balance pipe	1
L, F	24.	70-8214	Balance pipe spigot	2
L, F	25.	68-0879	Cylinder head with fixed fittings	1

Plate 1—continued

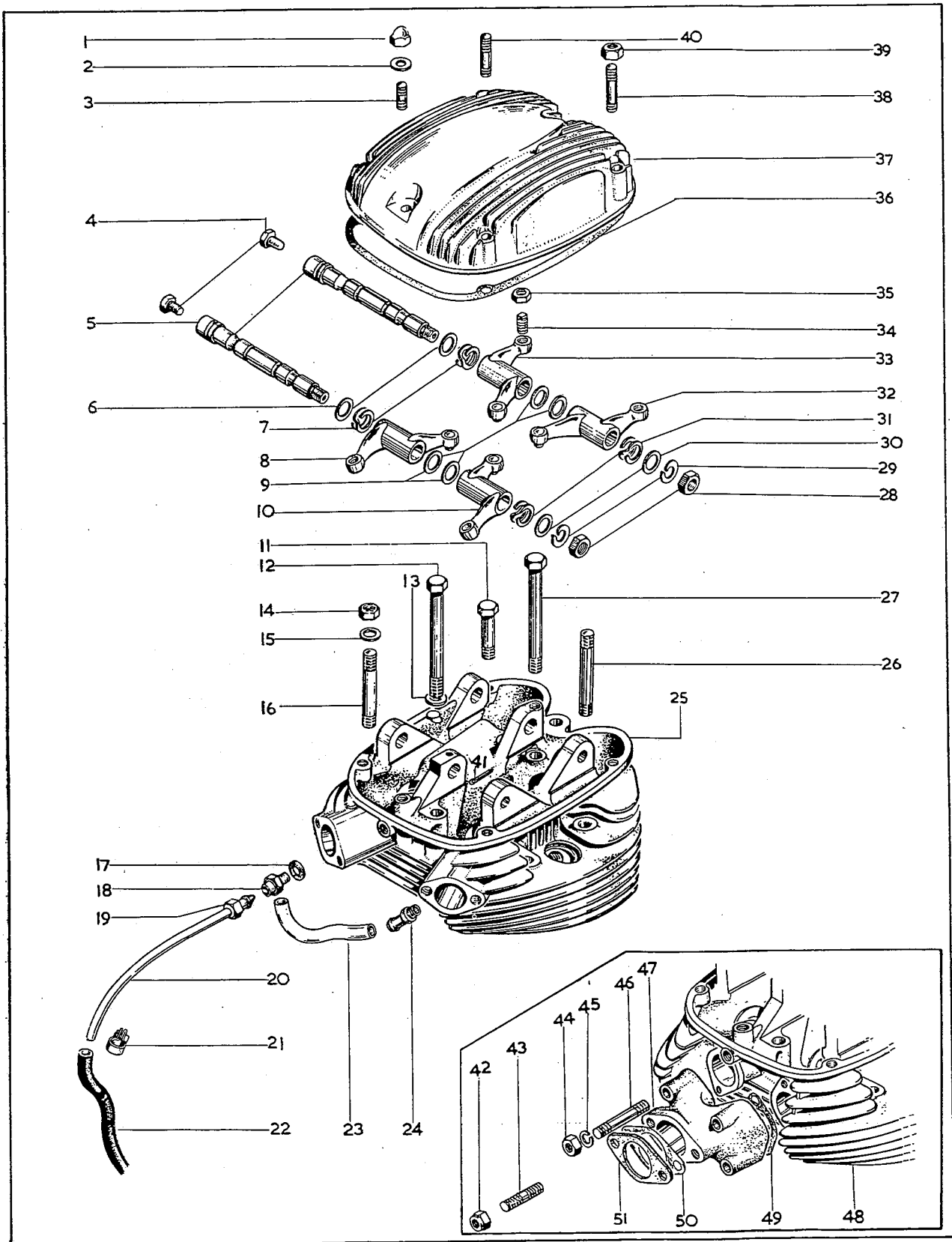
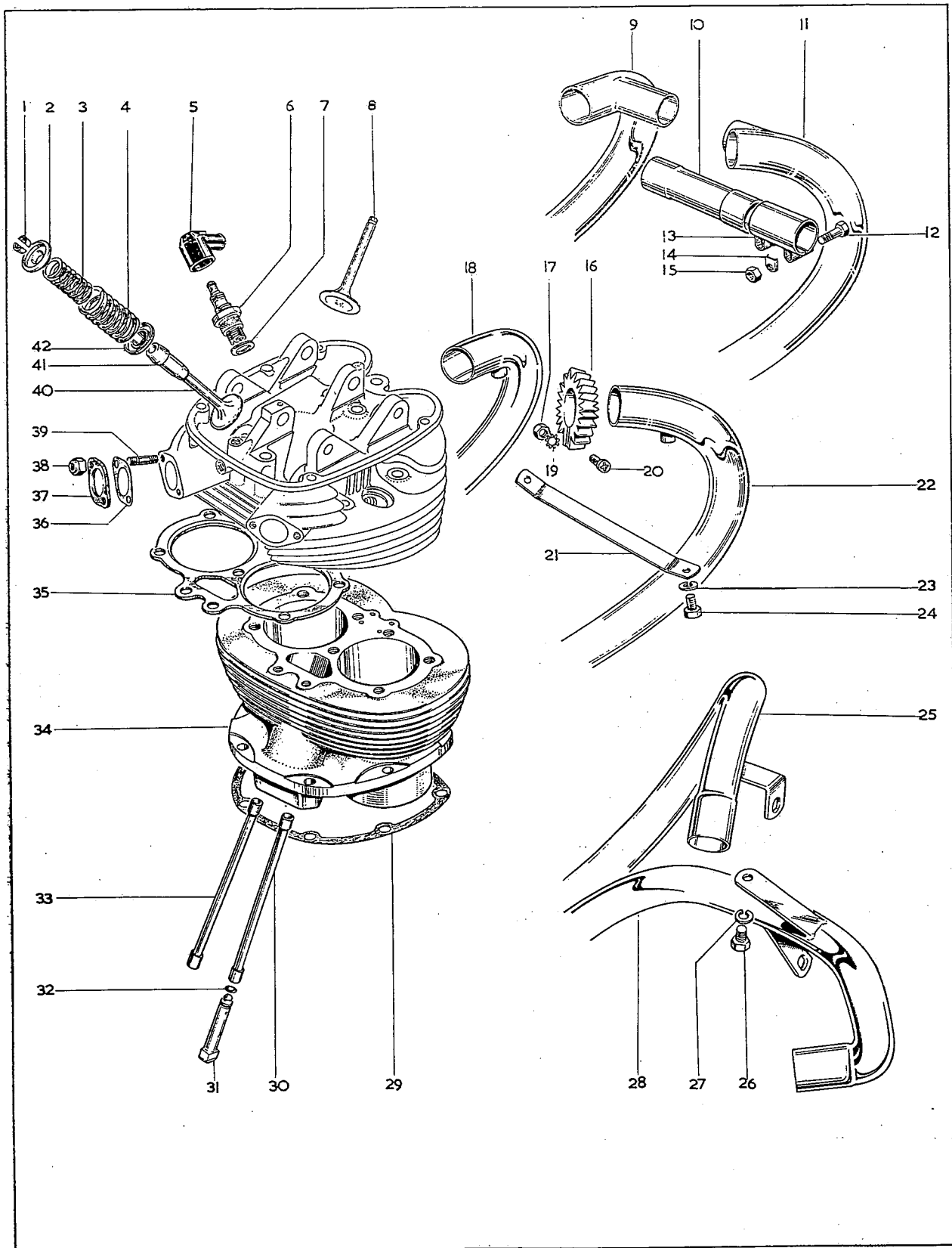


Plate 1—continued

CYLINDER HEAD

Model	Plate Ref.	Spares No.	Description	Per Set
L, T, R, F	26.	68-0081*	Stud, long, cylinder head ($\frac{3}{8}$ " British Standard Cycle/British Standard Fine $\times 3\frac{1}{8}$ ")	2
L, T, R, F	27.	68-0337	Bolt, long, cylinder head, front	2
L, T, R, F	28.	02-0449	Nut, rocker spindle	2
L, T, R, F	29.	02-0522	Washer, rocker spindle ($\cdot 390$ " $\times \cdot 750$ " $\times \cdot 056$ ")	2
L, T, R, F	30.	40-0157	Thrust washer, rocker	2
L, T, R, F	31.	40-0156	Spring washer, rocker	2
L, T, R, F	32.	68-0153	Exhaust rocker (right-hand)	1
L, T, R, F	33.	68-0151	Exhaust rocker (left-hand)	1
L, T, R, F	34.	68-0155	Adjuster screw, rocker ($\frac{5}{16}$ " British Standard Cycle)	4
L, T, R, F	35.	24-0563	Adjuster nut, rocker ($\frac{5}{16}$ " British Standard Cycle)	4
L, T, R, F	36.	70-8319	Rocker box gasket	1
L, T, R, F	37.	68-0830	Rocker box cover	1
L, T, R, F	38.	68-0138	Stud, long, rocker box ($\frac{1}{4}$ " British Standard Fine/ British Standard Cycle)	2
L, T, R, F	39.	02-2395	Stud nut, rocker box ($\frac{1}{4}$ " British Standard Cycle)	4
L, T, R, F	40.	68-0143	Stud, short, rocker box ($\frac{1}{4}$ " British Standard Fine/ British Standard Cycle)	2
L, T, R, F	41.	60-2684	Oilway split pin	1
T, R	42.	42-4476	Nut, carburetter mounting ($\frac{5}{16}$ " British Standard Cycle)	2
T, R	43.	68-0018	Stud, carburetter mounting ($\frac{5}{16}$ " British Standard Fine/British Standard Cycle)	2
T, R	44.	40-3226	Nut, manifold to head ($\frac{1}{4}$ " British Standard Cycle)	4
T, R	45.	24-0978	Washer for nut, line 44 ($\frac{1}{4}$ " $\times 7/16$ " $\times \cdot 040$ ")	4
T, R	46.	68-0067	Stud, manifold to head ($\frac{1}{4}$ " British Standard Fine/British Standard Cycle)	4
R	47.	68-0223	Inlet manifold	1
T	47.	68-0224	Inlet manifold	1
R	48.	68-0881	Cylinder head with fixed fittings	1
T	48.	68-0844	Cylinder head with fixed fittings	1
T, R	49.	68-0071	Gasket, manifold to head	2
T, R	50.	65-1417	Gasket, carburetter to manifold	1
T, R	51.	70-7821	Insulating washer, carburetter	1

*Special material: 4.—EN14B. 11.—EN15. 12.—EN14B. 14.—EN14B. 16.—EN15. 26.—EN15.



CYLINDER BARREL, EXHAUST PIPES, VALVES

Model	Plate Ref.	Spares No.	Description	Per Set
L, T, R, F	1.	71-1166	Collet, valve springs	8
L, T, R, F	2.	71-1165	Top collar, valve springs	4
L, T, R, F	3.	71-1177	Inner valve spring	4
L, T, R, F	4.	68-0930	Outer valve spring	4
L, T, R, F	5.	19-7625	Spark plug cover (Champion WC548)	2
L, F	6.	19-7606	Spark plug (Champion N3)	2
T, R	6.	19-7616	Spark plug (Champion N4)	2
L, T, R, F	7.	66-0102	Spark plug washer	2
R	8.	68-0662	Exhaust valve	2
L, T, F	8.	68-0663	Exhaust valve	2
L, T	9.	70-9127	Exhaust pipe (left-hand)	1
L, T	10.	70-9890	Cross tube, exhaust pipe	1
L, T	11.	70-9130	Exhaust pipe (right-hand)	1
L, T	12.	14-0204	Bolt, cross tube clip ($\frac{1}{4}$ " Unified Fine $\times 1\frac{3}{8}$ ")	4
L, T	13.	70-9627	Cross tube clip	2
L, T	14.	70-9626	Cap, cross tube clip	8
L, T	15.	14-0301	Nut for bolt, line 12 ($\frac{1}{4}$ " Unified Fine)	4
L, T, R	16.	42-2848	Finned collar, exhaust pipes	2
L, T, R	17.	14-0301	Nut for screw, line 20 ($\frac{1}{4}$ " Unified Fine)	2
R	18.	68-2789	Exhaust pipe (left-hand)	1
L, T, R	19.	29-0541	Lockwasher for nut, line 17	2
L, T, R	20.	14-0609	Screw, finned collar ($\frac{1}{4}$ " Unified Fine $\times 1\frac{1}{4}$ ")	2
R	21.	68-2794	Tie bracket, exhaust pipes	1
R	22.	68-2791	Exhaust pipe (right-hand)	1
R	23.	82-9020	Spring washer for bolt, line 24 ($\frac{1}{4}$ ")	2
R	24.	02-0220	Bolt, tie bracket to exhaust pipe ($\frac{1}{4}$ " British Standard Cycle $\times \frac{3}{8}$ ")	2
F	25.	70-9198	Exhaust pipe (left-hand)	1
F	26.	14-0101	Bolt, tie bracket to exhaust pipe ($\frac{1}{4}$ " Unified Fine $\times \frac{1}{2}$ ")	2
F	27.	82-9020	Spring washer for bolt, line 26 ($\frac{1}{4}$ ")	2
F	28.	70-9200	Exhaust pipe (right-hand)	1
L, T, R, F	29.	71-1036	Cylinder base gasket	1
R	30.	68-0365	Inlet push rod	2
L, T, F	30.	68-0370	Inlet push rod	2
L, T, R, F	31.	68-0362	Inlet and exhaust tappet	4
L, T, R, F	32.	68-0163	Tappet circlip	4
R	33.	68-0367	Exhaust push rod	2
L, T, F	33.	68-0372	Exhaust push rod	2
L, T, F	34.	71-1195	Cylinder barrel complete	1
R	34.	71-1196	Cylinder barrel complete	1
L, T, F	35.	68-0827	Cylinder head gasket	1
R	35.	68-0828	Cylinder head gasket	1
L, F	36.	65-1417	Carburettor gasket	2
L, F	37.	70-7821	Carburettor insulating washer	2
L, F	38.	42-4476	Nut, carburettor stud ($\frac{5}{16}$ " British Standard Cycle)	4
L, F	39.	68-0018	Carburettor stud ($\frac{5}{16}$ " British Standard Cycle/British Standard Fine $\times 1\frac{3}{8}$ ")	4
R	40.	68-0661	Inlet valve	2
L, T, F	40.	68-0665	Inlet valve	2
L, T, R, F	41.	68-0809	Valve guide, inlet and exhaust	4
L, T, R, F	42.	68-0931	Bottom cup, valve spring	4

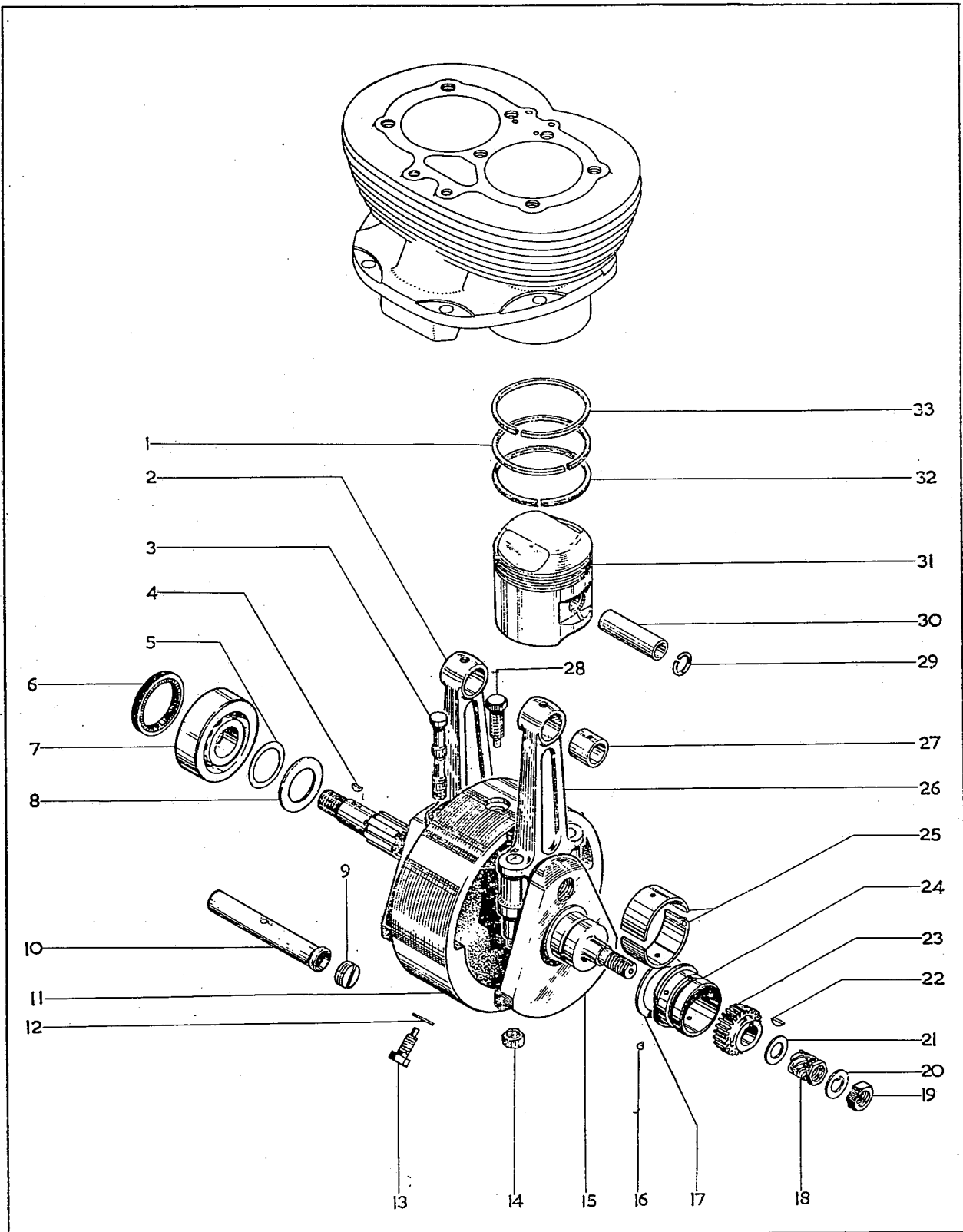


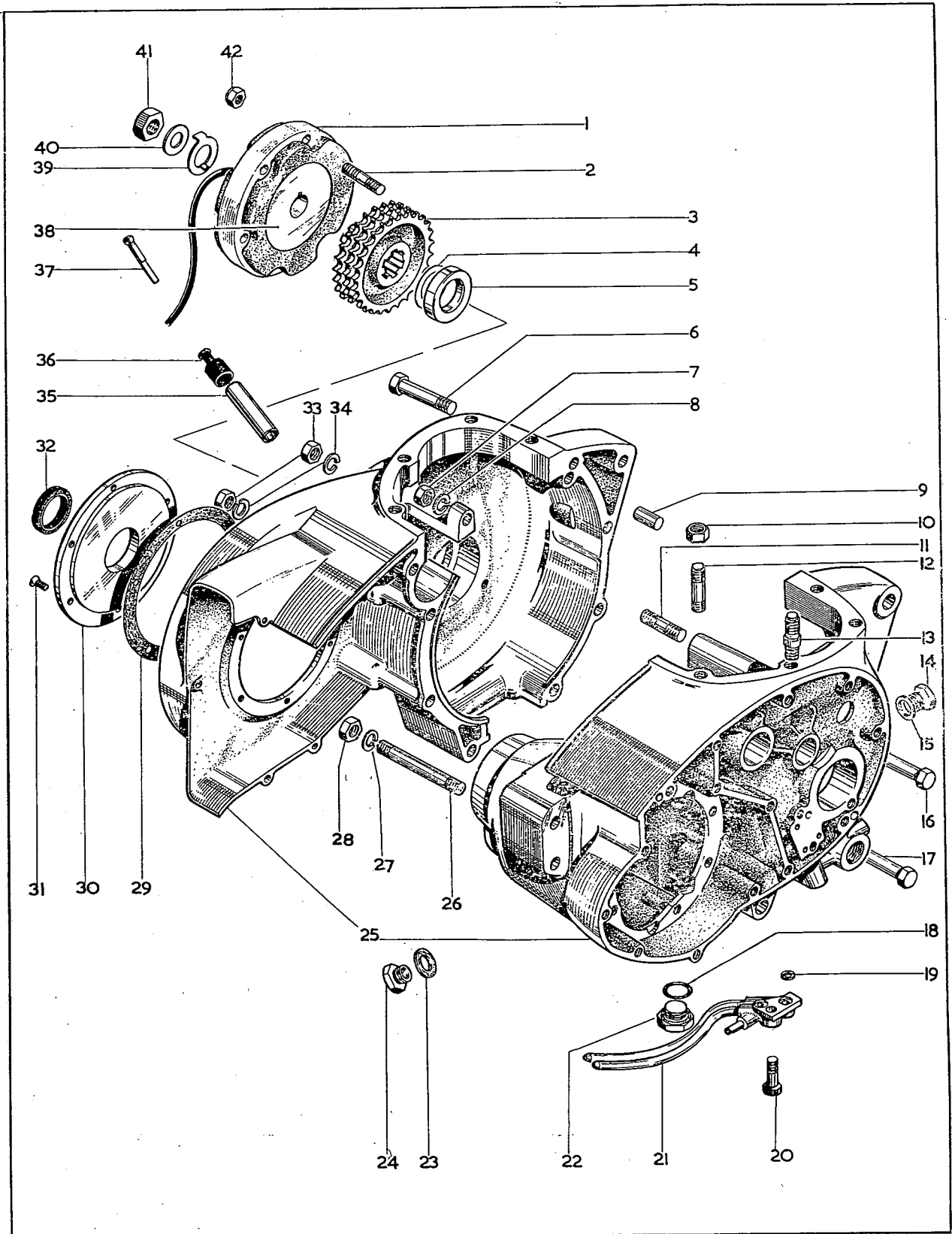
Plate 3

CRANKSHAFT

Model	Plate Ref.	Spare No.	Description	Per Set
L, T, F	1.	68-0357*	Taper piston ring, centre	2
R	1.	68-0354*	Taper piston ring, centre	2
L, T, R, F	2.	71-1106	Connecting rod complete, less big-end shell (left-hand) ..	1
L, T, R, F	3.	67-1536†	Connecting rod bolt ($\frac{5}{16}$ " British Standard Cycle) ..	4
L, T, R, F	4.	41-0673	Crankshaft key, rotor	1
L, T, R, F	5.	68-0633	Crankshaft shim (.003")	as reqd.
L, T, R, F	5.	68-0634	Crankshaft shim (.005")	as reqd.
L, T, R, F	5.	68-0635	Crankshaft shim (.010")	as reqd.
L, T, R, F	6.	67-0674	Crankcase oil seal, drive-side	1
L, T, R, F	7.	68-0625	Crankshaft bearing, drive-side (Hoffman RM11L) ..	1
L, T, R, F	8.	68-0638	Shim retaining clip	1
L, T, R, F	9.	68-0184	Crankshaft oil tube plug	1
L, T, R, F	10.	68-0185	Crankshaft oil tube	1
L, T, F	11.	71-1153	Flywheel only	1
R	11.	68-0680	Flywheel only	1
L, T, R, F	12.	71-1003	Washer for flywheel bolts ($\frac{3}{8}$ ")	3
L, T, R, F	13.	68-0580†	Flywheel bolt ($\frac{3}{8}$ " British Standard Cycle) ..	2
L, T, R, F	14.	75-6594	Nut for connecting rod bolt ($\frac{5}{16}$ " British Standard Cycle) ..	4
L, T, R, F	15.	68-0734	Crankshaft only	1
L, T, R, F	16.	67-0793	Dowel, crankshaft bush	1
L, T, R, F	17.	68-0685	Thrust washer, crankshaft bush	1
L, T, R, F	19.	68-0050	Pinion, oil pump drive	1
L, T, R, F	19.	67-0643	Crankshaft nut, gear-side	1
L, T, R, F	20.	67-0644	Lockwasher for nut, line 19	1
L, T, R, F	21.	67-0645	Washer, pump drive pinion	1
L, T, R, F	22.	40-3150	Key, crankshaft pinion	1
L, T, R, F	23.	67-0339	Crankshaft pinion	1
L, T, R, F	24.	68-0657	Crankshaft bush (standard)	1
L, T, R, F	24.	68-0647	Crankshaft bush (.010" undersize)	1
L, T, R, F	24.	68-0648	Crankshaft bush (.020" undersize)	1
L, T, R, F	25.	67-1430	Connecting rod big-end shell (standard)	4
L, T, R, F	25.	67-1431	Connecting rod big-end shell (.010" undersize)	4
L, T, R, F	25.	67-1432	Connecting rod big-end shell (.020" undersize)	4
L, T, R, F	25.	67-1433	Connecting rod big-end shell (.030" undersize)	4
L, T, R, F	26.	71-1105	Connecting rod complete, less big-end shell (right-hand) ..	1
L, T, R, F	27.	67-0298	Connecting rod small-end bush	2
L, T, R, F	28.	68-0581	Flywheel bolt, oil tube location	1
L, T, R, F	29.	66-0954	Gudgeon pin circlip	4
L, T, F	30.	65-0440	Gudgeon pin	2
R	30.	68-0263	Gudgeon pin	2
L, T, F	31.	68-0906*	Piston complete (9 to 1 ratio)	2
R	31.	68-0434*	Piston complete (9 to 1 ratio)	2
L, T, F	32.	68-0259*	Piston scraper ring	2
R	32.	68-0299*	Piston scraper ring	2
L, T, F	33.	68-0256*	Top piston ring	2
R	33.	68-0296*	Top piston ring	2

*See page 4 for piston details.

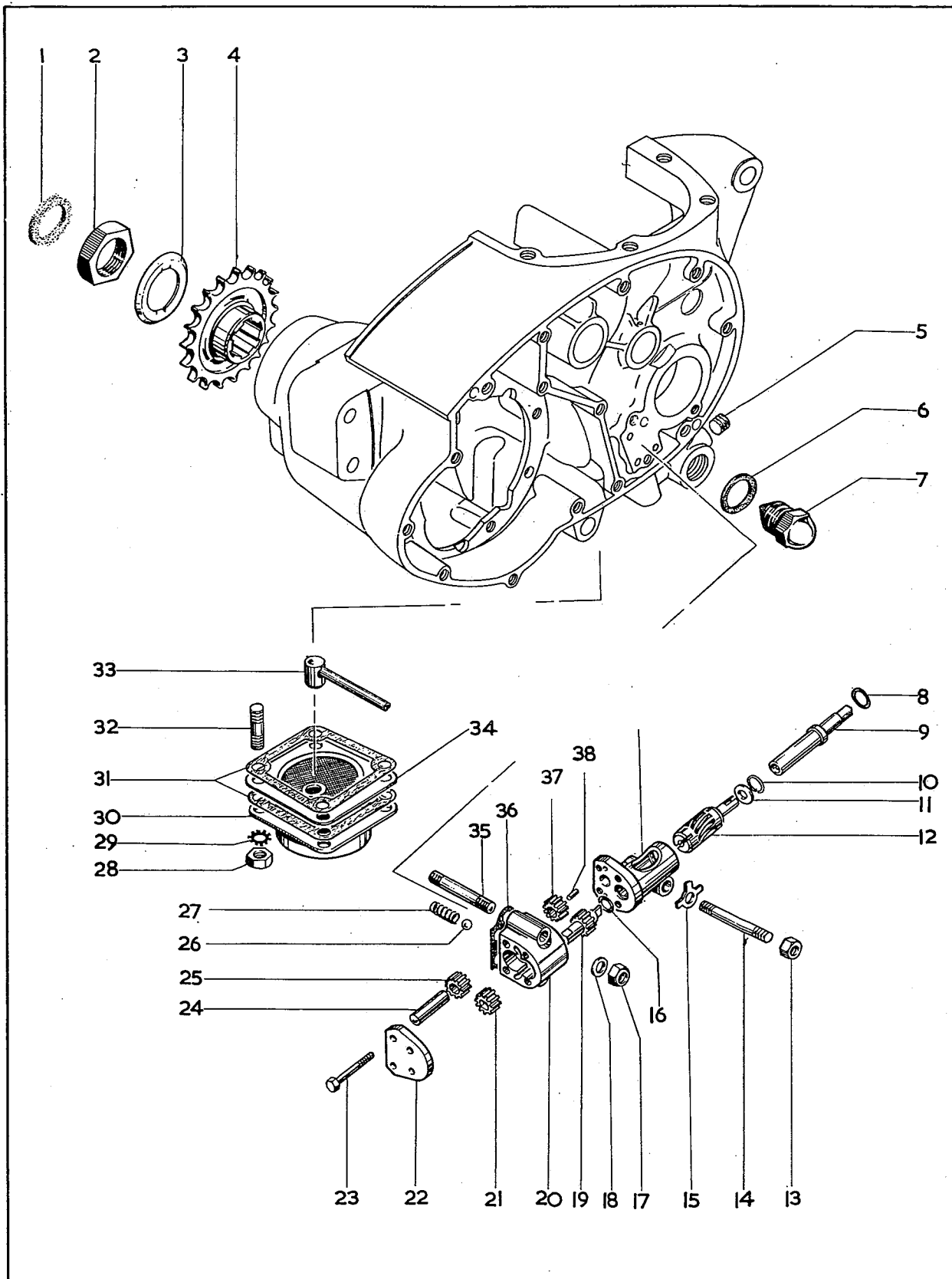
†Special material: 3.—EN24. 13.—EN24.



CRANKCASE

Model	Plate Ref.	Spares No.	Description	Per Set
L, T, R, F	1.	19-1262	Stator (Lucas 47205)	1
L, T, R, F	2.	14-1621*	Stud, stator mounting ($\frac{5}{16}$ " U.N.F. /UNC. $\times 1\frac{1}{2}$ ")	3
L, T, R, F	3.	68-0205	Engine sprocket (28 teeth)	1
L, T, R, F	4.	40-0066	Shim, engine sprocket ($\cdot 010$ "; $\cdot 254$ mm.)	as reqd.
L, T, R, F	4.	40-0069	Shim, engine sprocket ($\cdot 015$ "; $\cdot 381$ mm.)	as reqd.
L, T, R, F	5.	68-0688	Distance piece, engine sprocket	1
L, T, R, F	6.	14-0221	Bolt, crankcase top front ($\frac{5}{16}$ " Unified Fine $\times 2$ ")	2
L, T, R, F	7.	14-0302	Nut, crankcase stud ($\frac{5}{16}$ " Unified Fine)	1
L, T, R, F	8.	24-8784	Spring washer for nut, line 7	1
L, T, R, F	9.	27-1589	Dowel, crankcase	1
L, T, R, F	10.	14-0302	Nut, barrel to crankcase ($\frac{5}{16}$ " Unified Fine)	8
L, T, R, F	11.	21-1849	Stud, top centre crankcase ($\frac{5}{16}$ " Unified Fine/Unified Coarse $\times 1\frac{1}{2}$ ")	1
L, T, R, F	12.	21-2000*	Stud barrel to crankcase ($\frac{5}{16}$ " Unified Fine/Unified Coarse $\times 1-7/16$ ")	6
L, T, R, F	13.	21-2001*	Stud barrel to crankcase ($\frac{5}{16}$ " Unified Fine/Unified Coarse $\times 1-7/16$ ")	2
L, T, R, F	14.	21-1872	Sealing plug, crankcase	1
L, T, R, F	15.	70-8896	Sealing plug washer	1
L, T, R, F	16.	14-6221	Bolt, crankcase front ($\frac{5}{16}$ " Unified Coarse $\times 2$ ")	2
L, T, R, F	17.	14-0226	Bolt, crankcase bottom ($\frac{5}{16}$ " Unified Fine $\times 3\frac{1}{4}$ ")	1
L, T, R, F	18.	68-3168	"O" ring for drain plug, line 22	1
L, T, R, F	19.	68-0588	"O" ring, oil pipe union	2
L, T, R, F	20.	21-1973	Bolt, oil pipe union to crankcase ($\frac{5}{16}$ " Unified Coarse $\times 7/8$ ")	1
L, T, R, F	21.	68-0942	Oil pipe union, crankcase	1
L, T, R, F	22.	21-1857	Gearbox drain plug	1
L, T, R, F	23.	15-0203	Washer for plug, line 24	1
L, T, R, F	24.	57-3745	Cam plate plunger plug	1
L, T, R, F	25.	71-1108	Crankcase complete with fixed fittings	1
L, T, R, F	26.	21-1850	Stud, rear crankcase ($\frac{5}{16}$ " Unified Fine/Unified Coarse $\times 3-7/16$ ")	3
L, T, R, F	27.	24-8784	Spring washer for nut, line 28	3
L, T, R, F	28.	14-0302	Nut, crankcase stud	3
L, T, R, F	29.	40-0241	Gasket, primary case back plate	1
L, T, R, F	30.	68-0236	Cover plate, primary case back	1
L, T, R, F	31.	40-0246	Screw, cover plate to crankcase	6
L, T, R, F	32.	68-0235	Oil seal, primary case back plate	1
L, T, R, F	33.	14-0302	Nut, crankcase bolt ($\frac{5}{16}$ " Unified Fine)	2
L, T, R, F	34.	24-8784	Spring washer for nut, line 33 ($\frac{5}{16}$ " $\times 5/8$ " $\times \cdot 040$ ")	4
L, T, R, F	35.	70-7844	Cable guide, alternator	1
L, T, R, F	36.	68-0209	Oil seal, cable guide	1
L, T, R, F	37.	70-7878	Clip, alternator cable	1
L, T, R, F	38.	19-8019	Rotor (Lucas 54213901)	1
L, T, R, F	39.	68-0325	Lockwasher, rotor nut	1
L, T, R, F	40.	68-0324	Washer, rotor nut	1
L, T, R, F	41.	29-2023	Rotor nut ($5/8$ " Unified Fine)	1
L, T, R, F	42.	21-1852*	Nut, stator mounting ($\frac{5}{16}$ " Unified Fine)	3

*Special material: 2.—EN16R. 12.—EN15. 13.—EN14B. 42.—EN8R.



OIL PUMP, GEARBOX SPROCKET

<i>Model</i>	<i>Plate Ref.</i>	<i>Spares No.</i>	<i>Description</i>	<i>Per Set</i>
L, T, R, F	1.	68-3194	Felt washer	1
L, T, R, F	2.	40-3051	Nut, gearbox (1- $\frac{3}{16}$ " Whitworth, 20 turns per inch)	1
L, T, R, F	3.	40-3121	Lockwasher for nut, line 2	1
R (Sidecar)	4.	68-3072	Gearbox sprocket (17 teeth)	1
R (Solo)	4.	68-3093	Gearbox sprocket (18 teeth)	1
L, T (Sidecar)	4.	68-3093	Gearbox sprocket (18 teeth)	1
	4.	68-3078*	Gearbox sprocket (19 teeth)	1
L, T, F (Solo)	4.	68-3073	Gearbox sprocket (20 teeth)	1
	4.	68-3089*	Gearbox sprocket (21 teeth)	1
L, T, R, F	5.	70-9526	Blanking plug, oil hole	2
L, T, R, F	6.	70-9737	Washer, oil release valve to crankcase	1
L, T, R, F	7.	71-1327	Oil release valve assembly	1
L, F	8.	68-0588	"O" ring, revolution counter drive pin	1
L, F	9.	68-0586	Revolution counter drive pin	1
L, T, R, F	10.	42-0158	Circlip, oil pump drive spindle	1
L, T, R, F	11.	42-0157	Retaining washer, oil pump spindle	1
L, T, R, F	12.	68-0310	Driving spindle, oil pump	1
L, T, R, F	13.	14-0301	Nut for stud, line 14 ($\frac{1}{4}$ " Unified Fine)	1
L, T, R, F	14.	21-1848†	Stud, oil pump spindle housing ($\frac{1}{4}$ " Unified Fine/Unified Coarse $\times 2-7/16$ ")	1
L, T, R, F	15.	76-0138	Lockwasher for nut, line 13	1
L, T, R, F	16.	68-0289	"O" ring, oil pump spindle housing	1
L, T, R, F	17.	14-1901	Nut for stud, line 36 ($\frac{1}{4}$ " Unified Fine, Nyloc)	2
L, T, R, F	18.	68-0938	Washer for nut, line 17	2
L, T, R, F	19.	71-1145	Oil pump feed gear, driver	1
L, T, R, F	20.	71-1137	Oil pump body	1
L, T, R, F	21.	71-1144	Oil pump scavenge gear, driver	1
L, T, R, F	22.	68-0936	Oil pump end plate	1
L, T, R, F	23.	68-0937	Screw, oil pump end plate	4
L, T, R, F	24.	71-1146	Spindle, oil pump driven gears	1
L, T, R, F	25.	67-1406	Oil pump scavenge gear, driven	1
L, T, R, F	26.	97-2704	Ball, non-return valve ($\frac{1}{4}$ " diameter)	1
L, T, R, F	27.	68-0353	Spring, non-return valve	1
L, T, R, F	28.	14-0301	Nut for stud, line 32	4
L, T, R, F	29.	29-0541	Lockwasher for nut, line 28	4
L, T, R, F	30.	67-1286	Crankcase scavenge cover	1
L, T, R, F	32.	14-1401	Stud, scavenge cover	4
L, T, R, F	31.	67-1288	Gasket, scavenge cover	2
L, T, R, F	33.	68-0560	Scavenge oil pipe	1
L, T, R, F	34.	71-1126	Crankcase filter assembly	1
L, T, R, F	35.	21-1848†	Stud, oil pump body mounting	1
L, T, R, F	36.	68-0939	Gasket, oil pump body to crankcase	1
L, T, R, F	37.	67-1404	Oil pump driven feed gear	1
L, T, R, F	38.	71-1148	Dowel, pump body to spindle housing	2
L, T, R, F	39.	71-1138	Oil pump spindle housing	1
		71-1135	Oil pump complete	1

*Alternative sprockets.

†Special material: 14.—EN14B. 35.—EN14B.

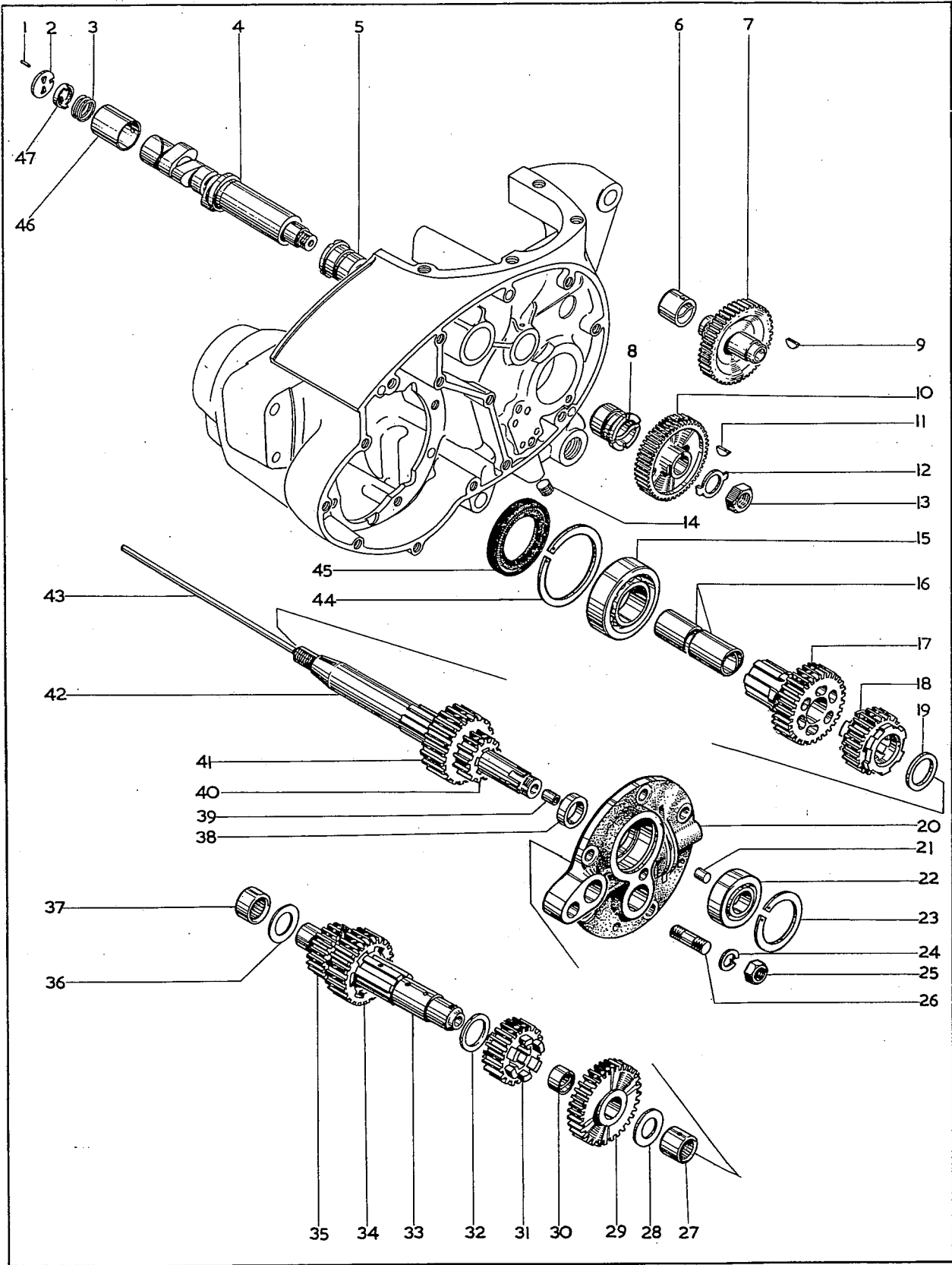


Plate 6

GEAR CLUSTER, CAMSHAFT

<i>Model</i>	<i>Plate Ref.</i>	<i>Spares No.</i>	<i>Description</i>	<i>Per Set</i>
L, T, R, F	1.	40-0028	Breather disc peg	1
L, T, R, F	2.	68-0130	Static breather disc	1
L, T, R, F	3.	68-0132	Breather valve spring	1
L, T, F	4.	68-0473	Camshaft	1
R	4.	68-0103	Camshaft	1
L, T, R, F	5.	68-0025	Camshaft bush, gear-side	1
L, T, R, F	6.	70-9809	Idler pinion bearing bush	1
L, T, R, F	7.	70-9104	Idler pinion, timing gear	1
L, T, R, F	8.	68-0025	Camshaft bush, gear-side	1
L, T, R, F	9.	27-1386	Key, idler pinion	1
L, T, R, F	10.	67-0338	Camshaft pinion	1
L, T, R, F	11.	40-0118	Key, camshaft pinion	1
L, T, R, F	12.	67-0685	Lockwasher, camshaft pinion	1
L, T, R, F	13.	24-7000	Nut, camshaft pinion ($\frac{1}{2}$ " British Standard Cycle)	1
L, T, R, F	14.	70-9526	Screwed plug, scavenge oil hole	2
L, T, R, F	15.	57-0448	Bearing, mainshaft drive-side	1
L, T, R, F	16.	68-3178	Bush, mainshaft top gear	2
L, T, R, F	17.	68-3115	Mainshaft top gear (23 teeth)	1
L, T, R, F	18.	68-3120	Mainshaft second gear (23 teeth)	1
L, T, R, F	18.	68-3114*	Mainshaft second gear (23 teeth)	1
L, T, R, F	19.	68-3021	Spacing washer, mainshaft	1
L, T, R, F	20.	57-4023	Bearing plate cover with fittings	1
L, T, R, F	20.	57-4025	Bearing plate cover only	1
L, T, R, F	21.	68-0030	Dowel, bearing plate	1
L, T, R, F	22.	57-3621	Bearing, mainshaft gear-side (Hoffman LS8)	1
L, T, R, F	23.	67-3028	Circlip, mainshaft bearing	1
L, T, R, F	24.	24-8784	Spring washer for nut, line 25	5
L, T, R, F	25.	14-0302	Nut, bearing plate stud ($\frac{5}{16}$ " Unified Fine)	5
L, T, R, F	26.	14-1619†	Stud, gearbox bearing plate ($\frac{5}{16}$ " Unified Coarse/Unified Fine $\times 1\frac{1}{4}$ ")	5
L, T, R, F	27.	42-3075	Bearing, layshaft gear-side (Tottrington B1212-OH)	1
L, T, R, F	28.	42-3079	Thrust washer, layshaft	1

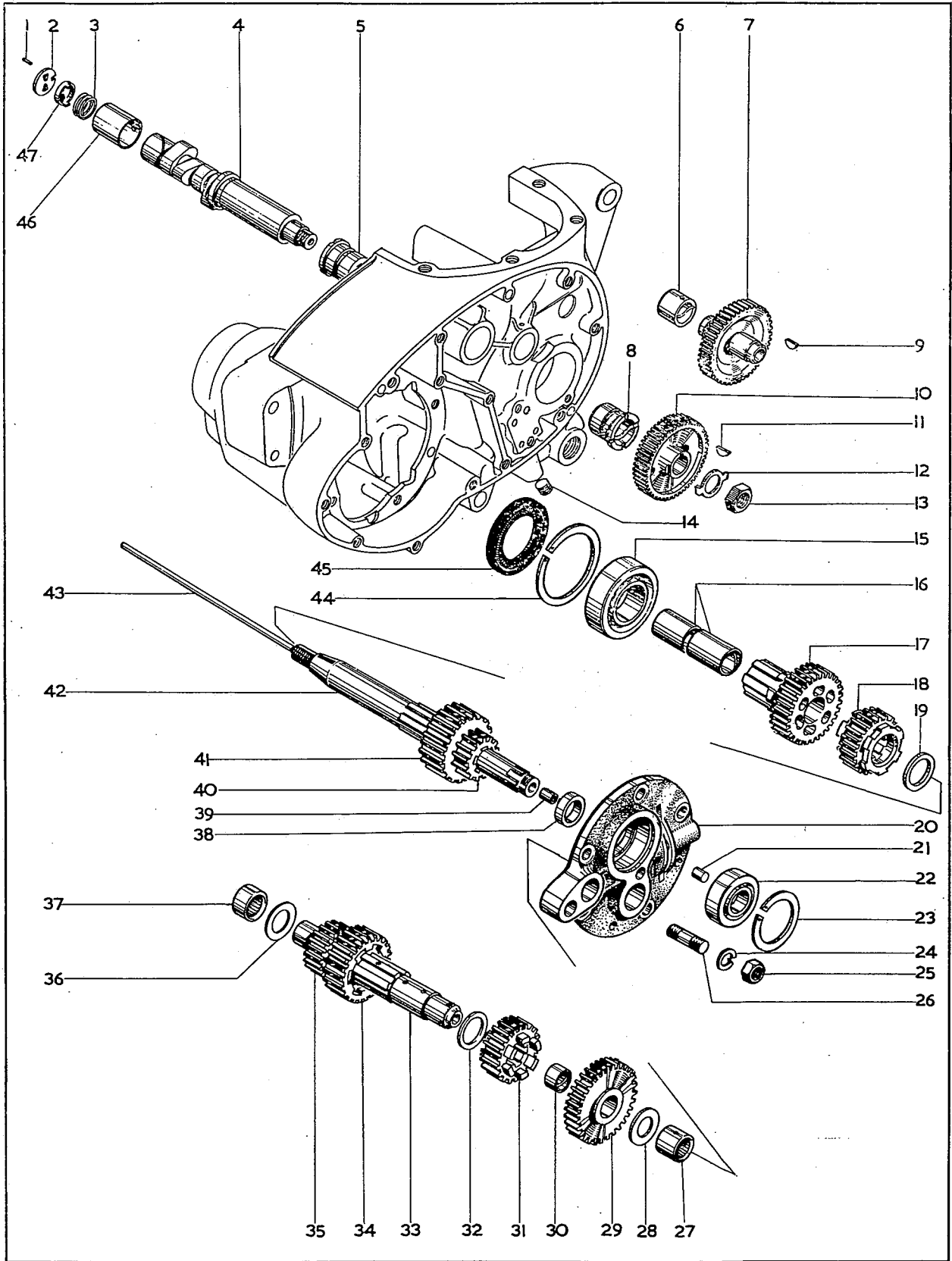


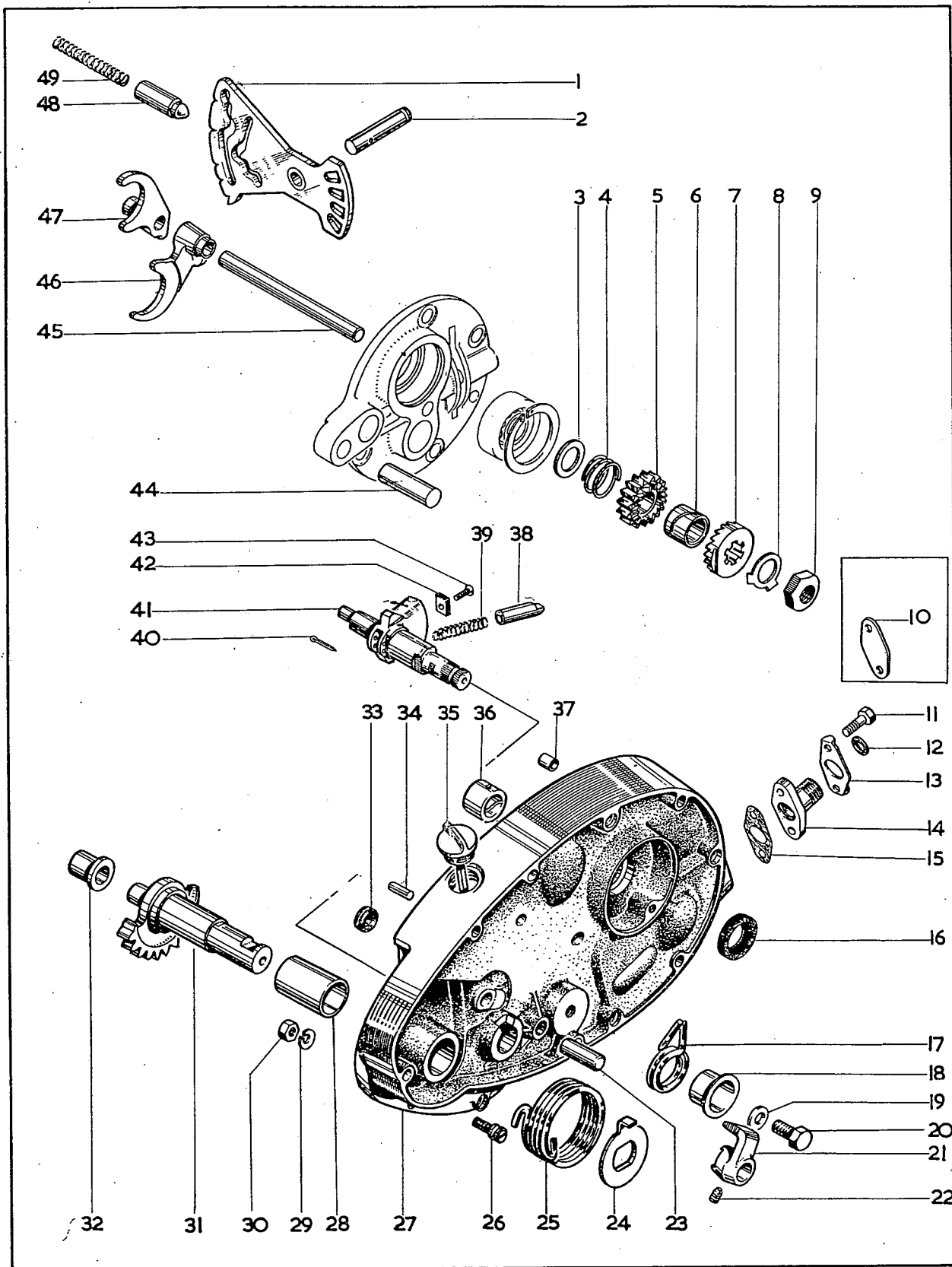
Plate 6---continued

GEAR CLUSTER, CAMSHAFT

<i>Model</i>	<i>Plate Ref.</i>	<i>Spares No.</i>	<i>Description</i>	<i>Per Set</i>
L, T, R, F	29.	68-3151	Layshaft first gear (26 teeth)	1
L, T, R, F	29.	68-3128*	Layshaft first gear (24 teeth)	1
L, T, R, F	30.	67-3093	Bush, layshaft first gear	1
L, T, R, F	31.	68-3120	Layshaft third gear (22 teeth)	1
L, T, R, F	31.	68-3181*	Layshaft third gear (18 teeth)	1
L, T, R, F	32.	68-3021	Spacing washer, layshaft	1
L, T, R, F	33.	68-3303	Gearbox layshaft	1
L, T, R, F	34.	68-3015	Layshaft second gear (26 teeth)	1
L, T, R, F	34.	68-3107*	Layshaft second gear (25 teeth)	1
L, T, R, F	35.	68-3299	Layshaft top gear (17 teeth)	1
L, T, R, F	36.	42-3079	Thrust washer, layshaft (.113"---.115")	as reqd.
L, T, R, F	36.	42-3212	Thrust washer, layshaft (.120"---.122")	as reqd.
L, T, R, F	36.	42-3213	Thrust washer, layshaft (.127"---.129")	as reqd.
L, T, R, F	37.	68-0034	Bearing, layshaft drive-side (Torrington 12121-OH)	1
L, T, R, F	38.	68-3019	Spacer, mainshaft	1
L, T, R, F	39.	68-3027	Bush, clutch push rod	1
L, T, R, F	40.	68-3150	Mainshaft first gear (14 teeth)	1
L, T, R, F	41.	68-3015	Mainshaft third gear (26T)	1
L, T, R, F	41.	68-3182*	Mainshaft third gear (22T)	1
L, T, R, F	42.	68-3100	Gearbox mainshaft with push rod bush	1
L, T, R, F	43.	68-3229	Clutch push rod	1
L, T, R, F	44.	68-0024	Circlip, mainshaft bearing drive-side	1
L, T, R, F	45.	68-0027	Oil seal, mainshaft bearing	1
L, T, R, F	46.	68-0022	Camshaft bush, drive-side	1
L, T, R, F	47.	68-0131	Rotary breather valve	1

*Close ratio gears.

†Special material: 26.—EN16R.



INNER TIMING COVER, GEARCHANGE MECHANISM

Model	Plate Ref.	Spares No.	Description	Per Set
L, T, R, F	1.	57-4026	Gearchange cam plate	1
L, T, R, F	2.	68-3045	Cam plate pivot	1
L, T, R, F	3.	67-3161	Thrust washer, kickstart ratchet	1
L, T, R, F	4.	67-3162	Spring, kickstart ratchet	1
L, T, R, F	5.	68-3095	Kickstart ratchet pinion	1
L, T, R, F	6.	67-3169	Bush, kickstart ratchet pinion	1
L, T, R, F	7.	68-3056	Kickstart ratchet	1
L, T, R, F	8.	68-3301	Lockwasher, kickstart assembly	1
L, T, R, F	9.	67-3163*	Nut, kickstart assembly (9/16" British Standard Cycle)	1
T, R	10.	42-0166	Cover plate, inner timing cover	1
L, T, R, F	11.	21-5370	Bolt for adaptor, line 14 (2 British Association \times 9/16")	2
L, F	12.	24-0036	Sealing washer, revolution counter cable	1
L, T, R, F	13.	68-0982	Lockwasher for bolt, line 11	1
L, F	14.	68-0585	Adaptor for revolution counter cable	1
L, T, R, F	15.	68-0589	Gasket for adaptor, line 14, or cover, line 10	1
L, T, R, F	16.	76-0291	Oil seal, idler pinion spindle	1
L, T, R, F	17.	57-4009	Return spring, gearchange	1
L, T, R, F	18.	57-4008	Cup, gearchange return spring	1
L, T, R, F	19.	02-0923	Washer, gearchange return spring	1
L, T, R, F	20.	14-7819	Bolt, gearchange return spring	1
L, T, R, F	21.	57-4028	Stop plate, gearchange spring	1
L, T, R, F	22.	68-3118	Grub-screw for stop plate, line 21	1
L, T, R, F	23.	68-3058	Anchor peg, gearchange spring	2
L, T, R, F	24.	68-3054	Spring plate, kickstart	1
L, T, R, F	25.	68-3053	Kickstart return spring	1
L, T, R, F	26.	68-3055	Anchor peg, kickstart spring	1
L, T, R, F	27.	71-1118	Inner timing cover with fixed fittings	1
L, T, R, F	28.	68-0213	Bush, kickstart spindle, timing cover	1
L, T, R, F	29.	24-0978	Spring washer for nut, line 27	1
L, T, R, F	30.	02-2395	Nut, kickstart spring anchor peg (1/4" British Standard Cycle)	1
L, T, R, F	31.	68-3049	Kickstart spindle complete	1
L, T, R, F	32.	68-3005	Bush, kickstart spindle	1
L, T, R, F	33.	40-0705	Grommet for contact breaker leads	1
L, T, R, F	34.	40-0394	Dowel, inner cover to case	2
L, T, R, F	35.	68-0865	Dipstick, inner timing cover	1
L, T, R, F	36.	70-9809	Bush, idler pinion spindle	1
L, T, R, F	37.	66-3074	Dowel, inner cover to case	2
L, T, R, F	38.	68-3096	Plunger, gearchange quadrant	2
L, T, R, F	39.	68-3076	Spring, gearchange quadrant plunger	2
L, T, R, F	40.	60-2721	Split pin, quadrant plunger spring (3/32" \times 5/8")	2
L, T, R, F	41.	68-3294	Gearchange quadrant complete	1
L, T, R, F	42.	57-2630	Retainer, gearchange plunger	1
L, T, R, F	43.	40-3323	Screw, plunger retainer (5 British Association \times 5/16")	1
L, T, R, F	44.	68-3180	Kickstart quadrant stop	1
L, T, R, F	45.	68-3036	Spindle, selector forks	1
L, T, R, F	46.	68-3160	Selector fork, layshaft	1
L, T, R, F	47.	68-3158	Selector fork, mainshaft	1
L, T, R, F	48.	68-0098	Plunger, gearchange cam plate	1
L, T, R, F	49.	68-0101	Spring, cam plate plunger	1

*Special material: 9.—EN15.

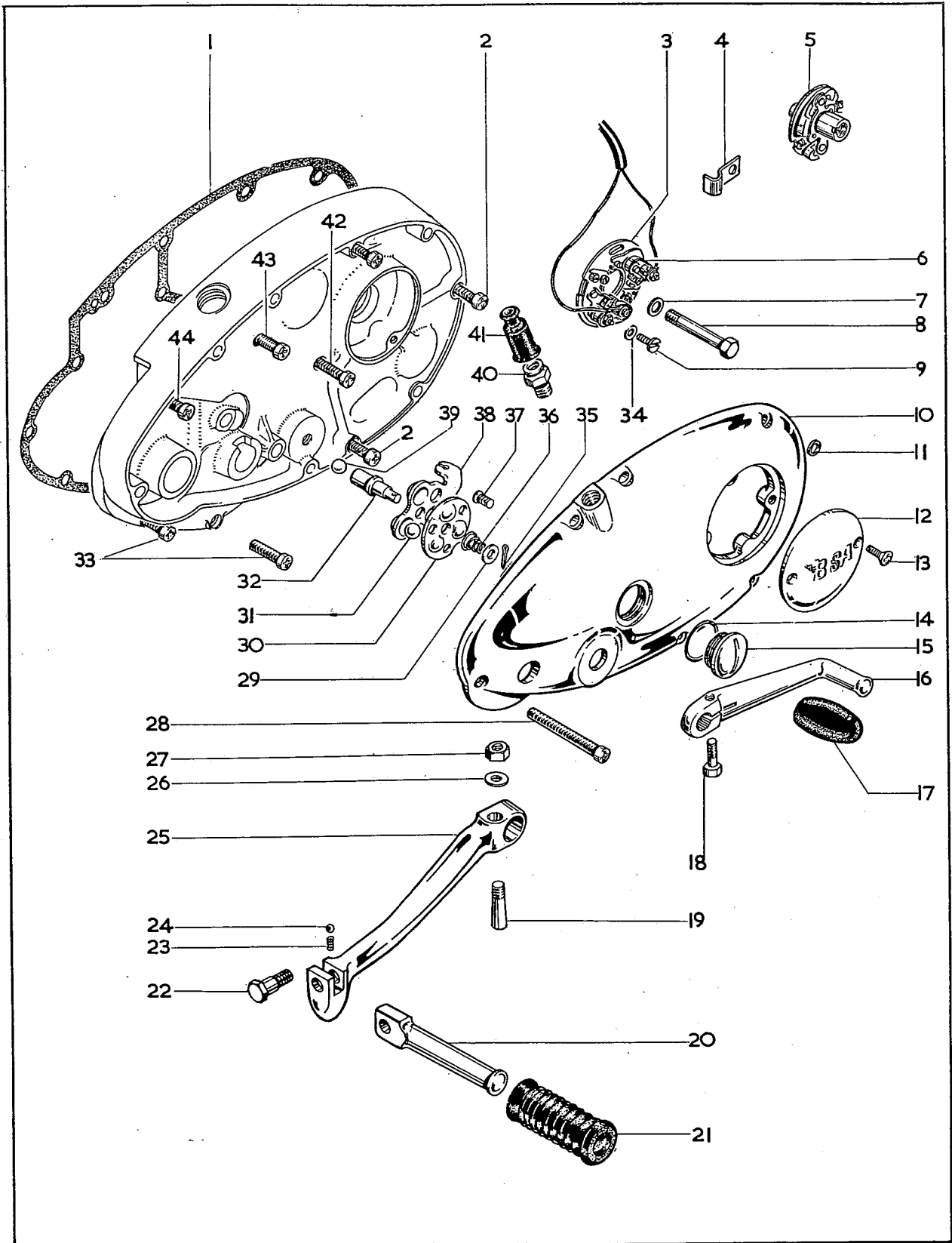
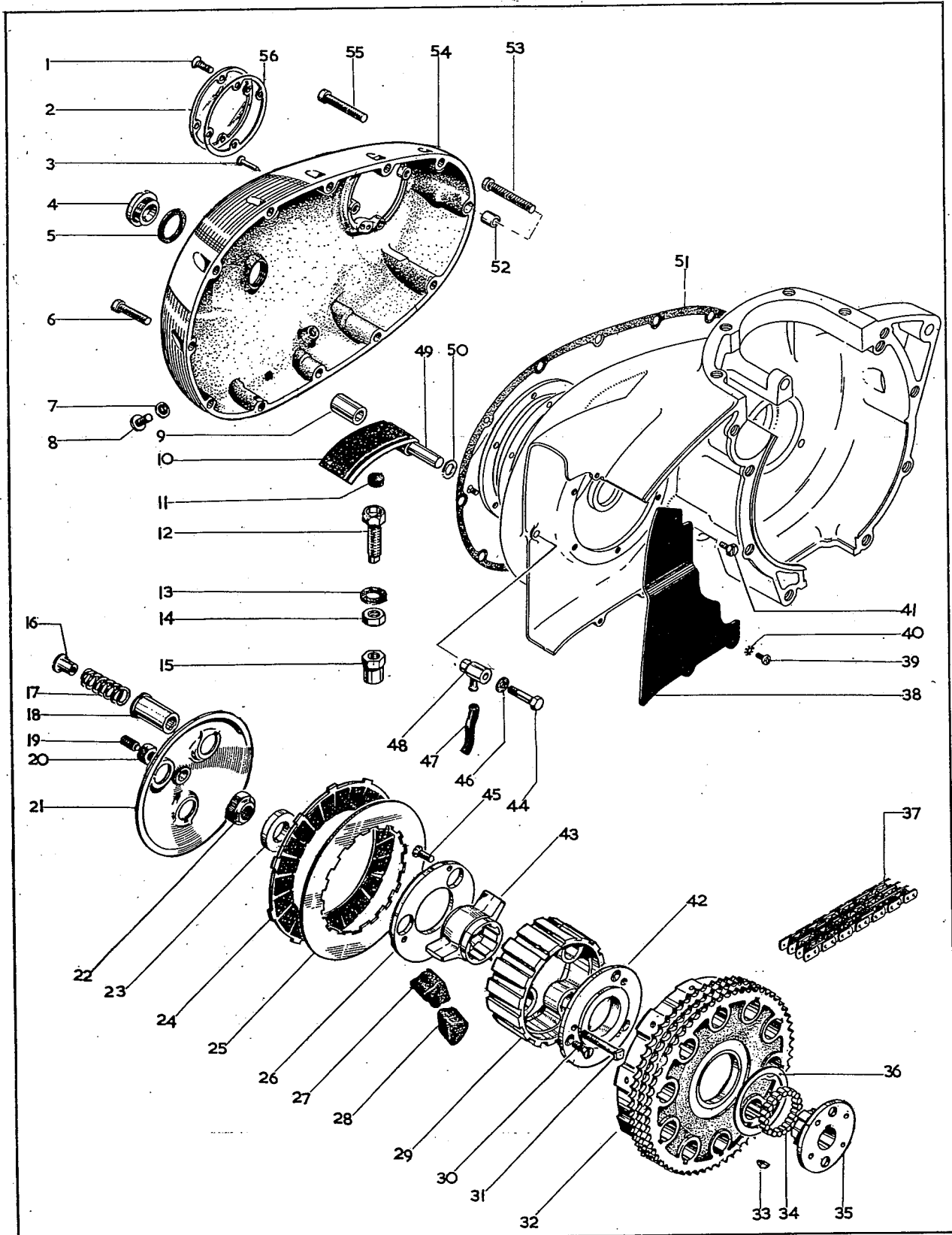


Plate 8

OUTER TIMING COVER, KICKSTART AND FOOTCHANGE

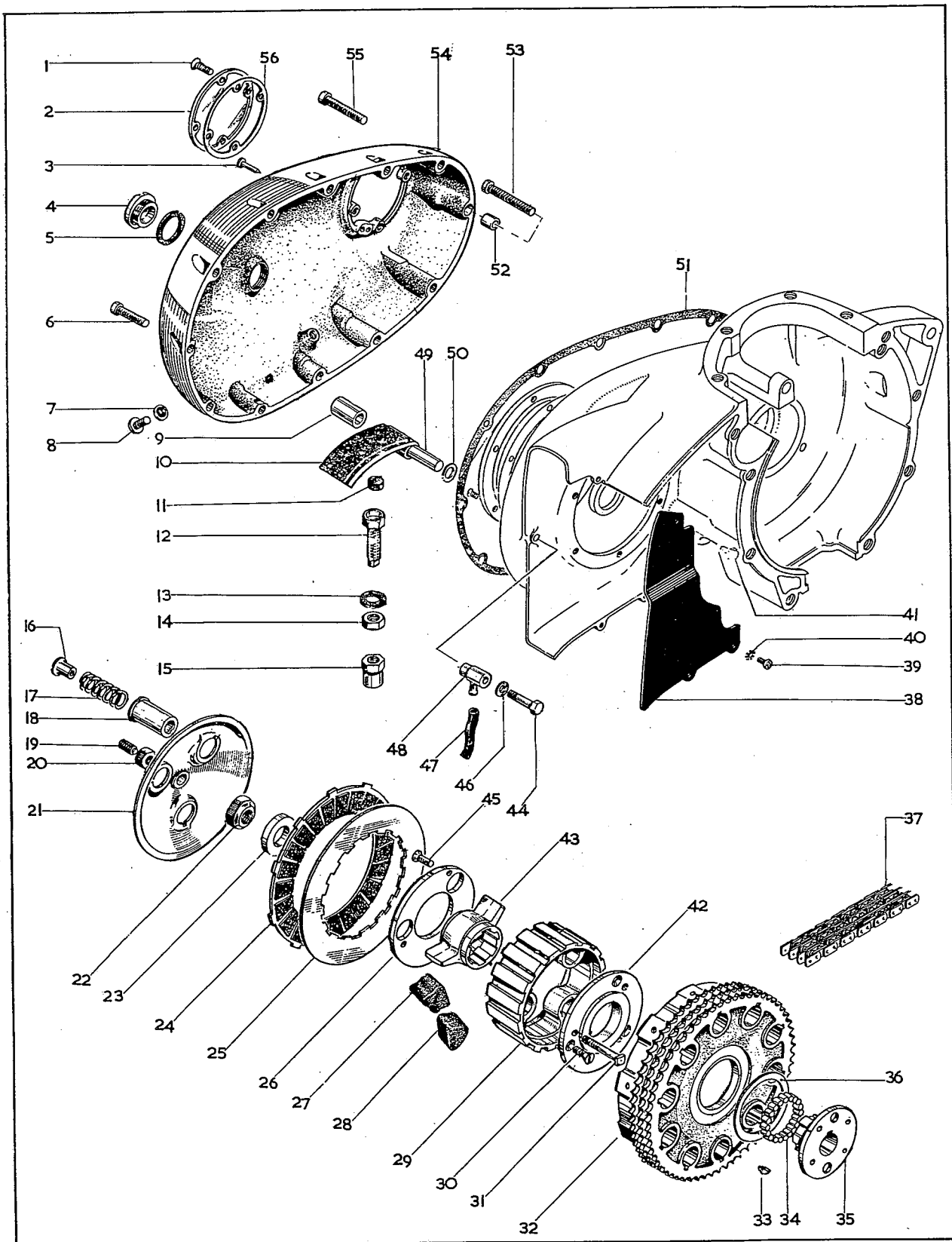
Model	Plate Ref.	Spares No.	Description	Per Set
L, T, R, F	1.	70-7853	Gasket, inner timing cover	1
L, T, R, F	2.	14-6613	Screw, long, inner timing cover ($\frac{1}{4}$ " Unified Coarse \times $2\frac{1}{4}$ ")	3
L, T, R, F	3.	19-1841	Contact breaker (Lucas 54419097)	1
L, T, R, F	4.	04-2203	Clip, contact breaker leads	1
L, T, R, F	5.	19-1842	Auto-advance unit (Lucas 54419344)	1
L, T, R, F	6.	19-1849	Contact set (Lucas 54419827)	1
L, T, R, F	7.	68-0331	Washer for bolt, line 9	1
L, T, R, F	8.	14-0208	Bolt, contact breaker cam to idler pinion spindle ($\frac{1}{4}$ " Unified $\frac{3}{8}$ " Fine \times $2\frac{1}{4}$ ")	1
L, T, R, F	9.	97-3894	Screw, contact breaker plate to cover (2 British Association \times $21/64$ ")	2
L, T, R, F	10.	71-1131	Outer timing cover	1
L, T, R, F	11.	40-0740	Sealing washer, top, outer cover screw	1
L, T, R, F	12.	70-9126	Inspection cover, contact breaker	1
L, T, R, F	13.	21-5375	Screw, contact breaker cover (2 British Association \times $\frac{3}{8}$ ")	2
L, T, R, F	14.	70-8782	"O" ring, inspection plug	1
L, T, R, F	15.	70-9816	Inspection plug, outer cover	1
L, T, R, F	16.	40-3073	Footchange pedal	1
L, T, R, F	17.	89-3208	Rubber, footchange pedal	1
L, T, R, F	18.	42-6554	Bolt, footchange pedal ($\frac{1}{4}$ " British Standard Cycle \times $\frac{3}{4}$ ")	1
L, T, R, F	19.	02-2579	Cotter, kickstart crank	1
L, T, R, F	20.	57-2646	Kickstart folding pedal	1
L, T, R, F	21.	57-2759	Rubber, kickstart pedal	1
L, T, R, F	22.	40-3084	Bolt, kickstart pedal ($\frac{5}{16}$ " British Standard Cycle \times $1\frac{3}{16}$ ")	1
L, T, R, F	23.	40-3085	Spring, kickstart pedal	1
L, T, R, F	24.	97-2704	Ball, kickstart pedal	1
L, T, R, F	25.	57-2764	Kickstart crank complete	1
L, T, R, F	25.	57-2652	Kickstart crank only	1
L, T, R, F	26.	15-5155	Washer for nut, line 27 ($\cdot 328$ " \times $\cdot 505$ " \times $\cdot 048$ ")	1
L, T, R, F	27.	02-2578	Nut for cotter, line 19 ($\cdot 266$ " British Standard Cycle)	1
L, T, R, F	28.	14-6614	Screw, outer cover ($\frac{1}{4}$ " Unified Coarse \times $2\frac{1}{2}$ ")	6
L, T, R, F	29.	57-3673	Washer, clutch lever	1
L, T, R, F	30.	57-4037	Thrust plate, clutch lift mechanism	1
L, T, R, F	31.	89-0060	Ball, clutch lift mechanism	3
L, T, R, F	32.	57-4038	Shaft, clutch lift mechanism	1
L, T, R, F	33.	14-6606	Screw, inner timing cover ($\frac{1}{4}$ " Unified Coarse \times $\frac{3}{4}$ ")	2
L, T, R, F	34.	76-0293	Washer, contact breaker plate	2
L, T, R, F	35.	60-2701	Split pin, clutch lift mechanism	1
L, T, R, F	36.	57-1712	Spring, clutch lift mechanism	1
L, T, R, F	37.	21-1879	Screw, clutch lift mechanism	3
L, T, R, F	38.	57-4036	Lever, clutch lift mechanism	1
L, T, R, F	39.	65-2593	Ball, clutch lever shaft	1
L, T, R, F	40.	57-3762	Adaptor, clutch cable	1
L, T, R, F	41.	68-3264	Cover, clutch cable adaptor	1
L, T, R, F	42.	14-6610	Screw, medium, inner timing cover ($\frac{1}{4}$ " Unified Coarse \times $1\frac{1}{2}$ ")	1
L, T, R, F	43.	14-6612	Screw, inner timing cover ($\frac{1}{4}$ " Unified Coarse \times 2 ")	1
L, T, R, F	44.	14-6608	Screw, short, inner timing cover ($\frac{1}{4}$ " Unified Coarse \times 1 ")	1
L, T, R, F		57-4049	Clutch lift mechanism complete	1

*Special material: 1.—EN15.



CLUTCH AND PRIMARY CHAINCASE

<i>Model</i>	<i>Plate Ref.</i>	<i>Spares No.</i>	<i>Description</i>	<i>Per Set</i>
L, T, R, F	1.	76-4116	Screw, inspection cover (2 British Association $\times 7/16"$)	4
L, T, R, F	2.	70-9114	Inspection cover, primary case	1
L, T, R, F	3.	68-0841	Ignition timing pointer	1
L, T, R, F	4.	70-9816	Plug, primary chaincase	2
L, T, R, F	5.	70-8782	"O" ring for plug, line 4	2
L, T, R, F	6.	21-1854	Screw, short, primary cover ($1/4"$ Unified Coarse $\times 1-7/16"$)	6
L, T, R, F	7.	71-1065	Washer, oil level and drain screw	2
L, T, R, F	8.	21-2002	Screw, oil level and drain	2
L, T, R, F	9.	68-0376	Spacer tube, tensioner pivot	1
L, T, R, F	10.	70-8310	Tensioner, primary chain	1
L, T, R, F	11.	68-0249	Insert, tensioner screw	1
L, T, R, F	12.	70-7793	Adjuster screw, tensioner ($7/16"$ British Standard Fine)	1
L, T, R, F	13.	68-0861	Oil seal washer, tensioner screw	1
L, T, R, F	14.	68-0237	Adjuster locknut, tensioner ($7/16"$ British Standard Fine)	1
L, T, R, F	15.	68-0377	Cap nut, adjuster screw ($7/16"$ British Standard Fine)	1
L, T, R, F	16.	42-3199	Nut, clutch spring ($1/4"$ British Standard Cycle)	3
L, T, R, F	17.	68-3321	Clutch spring	3
L, T, R, F	18.	68-3287	Clutch spring cup	3
L, T, R, F	19.	68-3308	Clutch adjuster screw	1
L, T, R, F	20.	14-0403	Locknut, adjuster screw ($3/8"$ Unified Fine)	1
L, T, R, F	21.	68-3305	Clutch pressure plate	1
L, T, R, F	22.	68-3320	Clutch mainshaft nut	1
L, T, R, F	23.	68-3169	Spacer, mainshaft nut	1
L, T, R, F	24.	42-3192	Clutch driving plate	6
L, T, R, F	25.	57-1363	Clutch driven plate	6
L, T, R, F	26.	68-3283	Outer retaining plate, cush drive	1
L, T, R, F	27.	68-3281	Cush drive rubber	3
L, T, R, F	28.	68-3282	Rebound rubber, cush drive	3
L, T, R, F	29.	57-1719	Clutch centre	1



CLUTCH AND PRIMARY CHAINCASE

<i>Model</i>	<i>Plate Ref.</i>	<i>Spares No.</i>	<i>Description</i>	<i>Per Set</i>
L, T, R, F	30.	42-3183	Screw, inner plate to centre (1 British Association $\times 35/64$ " countersunk)	3
L, T, R, F	31.	42-3189	Clutch spring pin ($1/4$ " British Standard Cycle $\times 1 3/4$ ")	3
L, T, R, F	32.	57-2773	Clutch chainwheel (58 teeth)	1
L, T, R, F	33.	68-3218	Key, sleeve to mainshaft	2
L, T, R, F	34.	42-3206	Roller, clutch chainwheel	20
L, T, R, F	35.	57-3929	Clutch sleeve	1
L, T, R, F	36.	57-3931	Thrust washer, clutch sleeve	1
L, T, R, F	37.	19-8639	Primary chain ($3/8$ " Triplex, 80 pitch)	1
L, T, R, F	38.	68-0360	Cover plate, rear crankcase	1
L, T, R, F	39.	97-3894	Screw, cover plate (2 British Association $\times 21/64$ ")	2
L, T, R, F	40.	29-3319	Lockwasher for screw, line 39 ($.200" \times .400" \times .021"$)	3
L, T, R, F	41.	40-3044	Bolt, cover plate (top)	1
L, T, R, F	42.	68-3280	Inner retaining plate, cush drive	1
L, T, R, F	43.	68-3276	Spider, cush drive	1
L, T, R, F	44.	70-9217	Bolt, rear chain oiler ($1/4$ " Unified Coarse $\times 1 3/8$ ")	1
L, T, R, F	45.	42-3183	Screw, outer plate to centre	3
L, T, R, F	46.	66-7518	Fibre washer for bolt, line 44	1
L, T, R, F	47.	40-0375	Pipe, rear chain oiler	1
L, T, R, F	48.	68-0383	Rear chain oiler	1
L, T, R, F	49.	68-0375	Tensioner pivot pin	1
L, T, R, F	50.	15-0804	Tensioner pivot washer	1
L, T, R, F	51.	70-7854	Gasket, primary chaincase cover	1
L, T, R, F	52.	66-3074	Hollow dowel	1
L, T, R, F	53.	21-1951	Screw, dowel position, primary cover	1
L, T, R, F	54.	71-1044	Primary chain cover complete	1
L, T, R, F	55.	14-6611	Screw, long, primary cover ($1/4$ " Unified Coarse $\times 1 3/4$ ")	4
L, T, R, F	56.	68-0840	Gasket, inspection cover	1
L, T, R, F		68-3270	Clutch complete	1

FRAME, ENGINE SHIELD, BATTERY CARRIER

<i>Model</i>	<i>Plate Ref.</i>	<i>Spares No.</i>	<i>Description</i>	<i>Per Set</i>
F	1.	83-1375	Left-hand top bracket, sidecover	1
L, T, R, F	2.	68-4577	Strap, battery carrier	1
L, T, R, F	3.	68-4597	Rubber tray, battery carrier	1
L, T, R, F	4.	83-1576	Frame complete less centre stand	1
L, T, R, F	5.	66-4149	Steering head cup	2
L, T, R, F	6.	14-0232	Bolt, steady stay to head ($\frac{3}{8}$ " Unified Fine $\times 1\frac{3}{8}$ ")	1
T, R, F	7.	68-4090	Engine steady stay	1
L	7.	82-9788	Engine steady stay	1
L, T, R, F	8.	71-1003	Washer for bolt, line 6 ($\frac{3}{8}$ " $\times \frac{3}{4}$ " $\times .048$ ")	1
L, T, R, F	9.	14-1803	Nut for bolt, line 6 ($\frac{3}{8}$ " Unified Fine)	1
F, T, R	10.	68-4906	Spacer, front, engine mounting	1
L, T, R	11.	68-4088	Stud, front engine mounting ($\frac{7}{16}$ " British Standard Cycle)	1
F	11.	21-0779	Stud, front engine mounting ($\frac{7}{16}$ " Unified Fine)	1
L, T, R	12.	66-4708	Lockwasher, front engine stud ($\frac{7}{16}$ ")	2
L, T, R	13.	02-1925	Nut for stud 68-4088 ($\frac{7}{16}$ " British Standard Cycle)	2
F	13.	14-0304	Nut for stud 21-0779 ($\frac{7}{16}$ " Unified Fine)	2
F	14.	68-2004	"U" bolt, crankcase shield	2
F	15.	68-2001	Crankcase shield	1
L, T, R, F	16.	02-1733	Washer, bottom engine stud ($\frac{3}{8}$ " $\times 13/16$ " $\times \frac{1}{16}$ ")	2
L, T, R, F	17.	27-5676	Spacing washer, lower engine mounting	4
L, T, R, F	18.	42-4475	Nut, bottom engine stud ($\frac{3}{8}$ " British Standard Cycle)	2
F	19.	42-3249	Nut, crankcase shield "U" bolt	4
L, T, R, F	20.	68-4260*	Stud, bottom engine mounting ($\frac{3}{8}$ " British Standard Cycle $\times 9\frac{3}{4}$ ")	1
L, T, R, F	21.	14-0224	Bolt, rear engine mounting ($\frac{5}{16}$ " Unified Fine $\times 2\frac{3}{4}$ ")	1
L, T, R, F	22.	24-8784	Spring washer for nut, line 29 ($\frac{5}{16}$ " $\times \frac{5}{8}$ " $\times .040$ ")	1
L, T, R, F	23.	14-0252	Bolt, engine mounting plate ($\frac{7}{16}$ " Unified Fine $\times 2\frac{1}{2}$ ")	1
L, T, R, F	24.	14-0240	Bolt, top, engine plate mounting ($\frac{3}{8}$ " Unified Fine $\times 3\frac{1}{4}$ ")	1
L, T, R, F	25.	14-1803	Nut for bolt, line 24 ($\frac{3}{8}$ " Unified Fine)	1
L, T, R, F	26.	82-8280	Bracket, left-hand, coil mounting	1
L, T, R, F	26.	82-8279	Bracket, right-hand, coil mounting	1
L, T, R, F	27.	68-4080	Rear engine plate	2
L, T, R, F	28.	14-1804	Nut for bolt, line 23 ($\frac{7}{16}$ " Unified Fine)	1
L, T, R, F	29.	14-0302	Nut for bolt, line 21 ($\frac{5}{16}$ " Unified Fine)	1
L, T, R, F	30.	14-1803	Nut for bolt, line 31	1

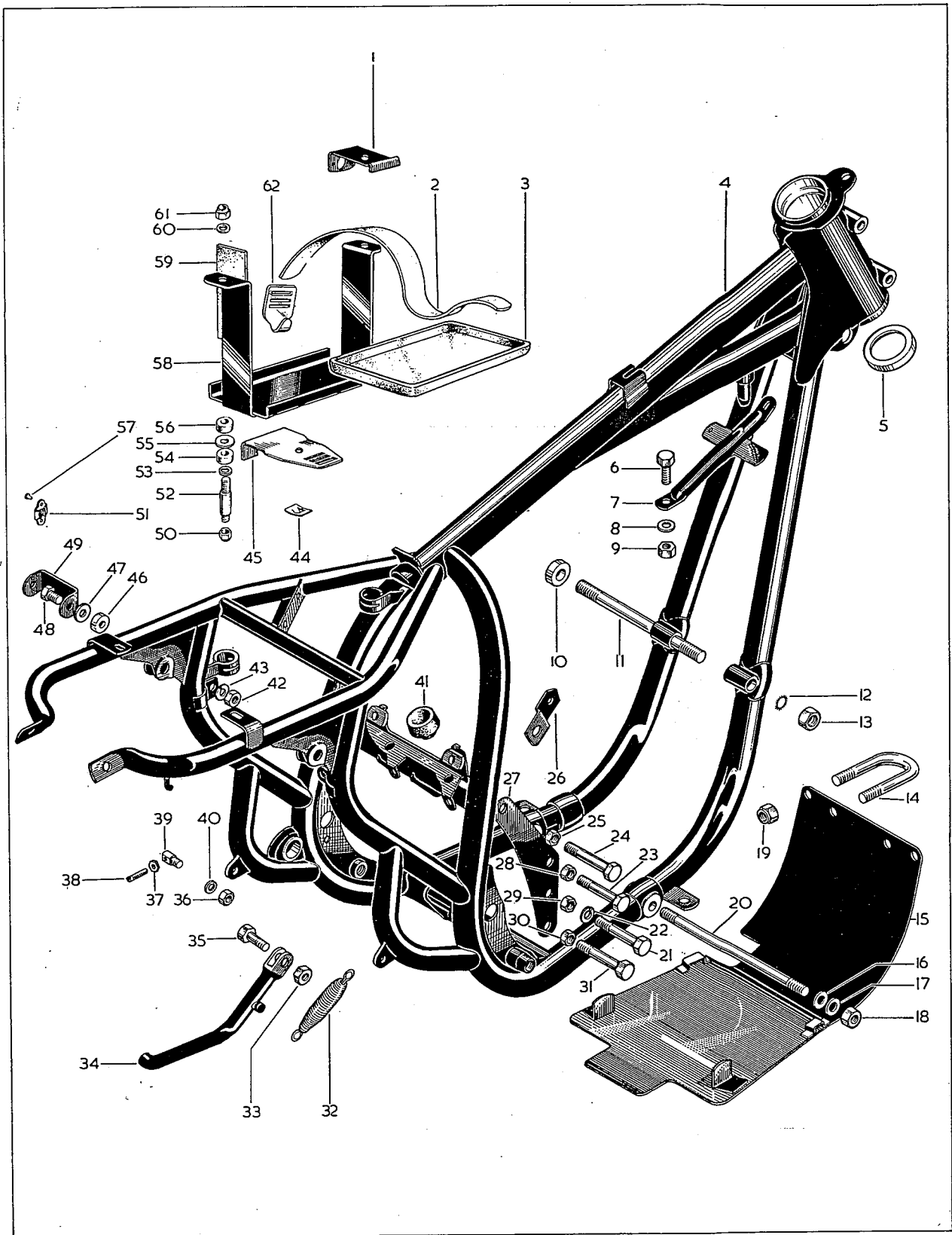


Plate 10—continued

FRAME, ENGINE SHIELD, BATTERY CARRIER

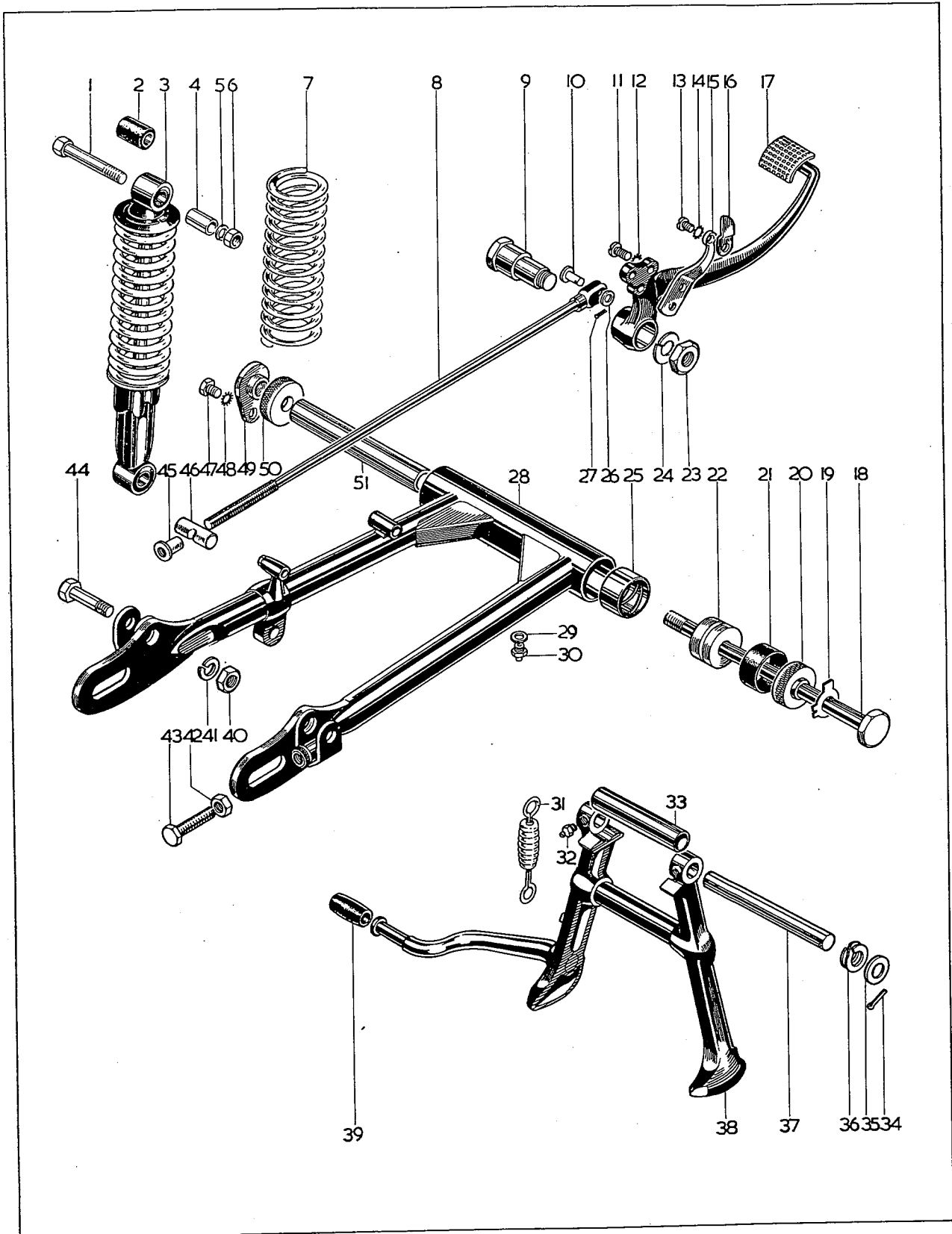
Model	Plate Ref.	Spares No.	Description	Per Set
L, T, R, F	31.	14-0239	Bolt, bottom engine plate mounting ($\frac{3}{8}$ " Unified Fine \times 3")	1
L, T, R, F	32.	82-8382	Prop stand spring	1
L, T, R, F	33.	15-0734	Nut for pivot bolt, line 35 ($\frac{7}{16}$ " British Standard Cycle)	1
L, T, R, F	34.	42-4778	Prop stand complete	1
L, T, R, F	35.	42-4793	Pivot bolt, prop stand ($\frac{7}{16}$ " British Standard Cycle \times $1\frac{5}{16}$ ")	1
L, T, R	36.	02-0049	Nut, for adjuster post ($\frac{3}{16}$ " British Standard Cycle)	1
L, T, R, F	37.	02-1027	Nut for screw, line 38 ($\frac{1}{4}$ " British Standard Cycle)	1
L, T, R, F	38.	68-4096	Set-screw, brake pedal adjuster ($\frac{1}{4}$ " British Standard Cycle)	1
L, T, R, F	39.	68-4095	Adjuster post, brake pedal	1
L, T, R	40.	24-8784	Spring washer, adjuster post ($\frac{5}{16}$ " \times $\frac{5}{8}$ " \times .040")	1
L, T, R, F	41.	68-8315	Locating rubber, oil tank	3
L, T, R, F	42.	14-0302	Nut for bolt, line 48 ($\frac{5}{16}$ " Unified Fine)	1
L, T, R, F	43.	24-8784	Spring washer for nut, line 42 ($\frac{5}{16}$ " \times $\frac{5}{8}$ " \times .040")	1
L, T, R, F	44.	83-1601	Push-fix, battery carrier locating pin	1
L, T, R, F	45.	68-4578	Battery strap retaining plate	1
L, T, R, F	46.	15-7563	Distance piece for bracket, line 49	1
L, T, R, F	47.	02-0923	Washer for bolt, line 48	1
L, T, R, F	48.	14-0115	Bolt, fastener bracket to frame ($\frac{5}{16}$ " Unified Fine \times $\frac{7}{8}$ ")	1
L, T, R, F	49.	68-9251	Sidecover fastener bracket, left-hand, rear	1
L, T, R, F	50.	40-0414	Nut, battery carrier stud ($\frac{1}{4}$ " British Standard Cycle)	1
L, T, R, F	51.	68-9115	"Oddie" clip, sidecover	3
L, T, R, F	52.	82-9024	Stud, battery carrier ($\frac{1}{4}$ " British Standard Cycle)	2
L, T, R, F	53.	76-0101	Washer, bottom, battery carrier (.265" \times $\frac{3}{4}$ " \times .080")	2
L, T, R, F	54.	68-4560	Rubber bush, battery carrier	2
L, T, R, F	55.	29-8740	Washer, centre, battery carrier ($\frac{9}{16}$ " \times 1" \times $\frac{1}{16}$ ")	2
L, T, R, F	56.	68-4560	Rubber bush, battery carrier	2
L, T, R, F	57.	68-9337	Rivet for "Oddie" clip	6
L, T, R, F	58.	68-4595	Battery carrier complete	1
L, T, R, F	59.	82-8255	Rubber strip, battery carrier	2
L, T, R, F	60.	40-2705	Washer, top, battery carrier ($\frac{19}{64}$ " \times $\frac{15}{32}$ " \times $\frac{1}{16}$ ")	2
L, T, R, F	61.	40-0414	Nut, battery carrier stud ($\frac{1}{4}$ " British Standard Cycle)	2
L, T, R, F	62.	82-9004	Hook, battery carrier strap	1

*Special material: 20.—EN15.

Plate 11

SWINGING ARM, CENTRE STAND, REAR BRAKE CONTROL

Model	Plate Ref.	Spare No.	Description	Per Set
L, T, R, F	1.	14-0236	Bolt, damper top mounting, right-hand ($\frac{3}{8}$ " Unified Fine \times $2\frac{1}{4}$ ")	1
L, T, R, F	1.	14-0238	Bolt, damper top mounting, left-hand ($\frac{3}{8}$ " Unified Fine \times $2\frac{3}{4}$ ")	1
L, T, R, F	2.	19-5305	Damper bush (Girling 64533645)	4
L, T, R, F	3.	19-7448	Rear damper complete, solo (Girling S4971)	2
L, T, R, F	3.	19-7449	Rear damper complete, sidecar (Girling S4456)	2
L, T, R, F	4.	68-6906	Spacer, left-hand, mudguard bridge..	1
L, T, R, F	4.	40-4909	Spacer, right-hand, mudguard bridge	1
L, T, R	4.	68-4286*	Spacer, left-hand, mudguard bridge..	1
L, T, R	4.	42-4907*	Spacer, right-hand, mudguard bridge	1
L, T, R, F	5.	02-0522	Spring washer for nut, line 6 ($\frac{3}{8}$ " \times $\frac{3}{4}$ " \times .056")	2
L, T, R, F	6.	14-0303	Nut for bolt, line 1 ($\frac{3}{8}$ " Unified Fine)	2
L, T, R, F	7.	19-7439	Damper spring, solo (Girling 64543735)	2
L, T, R, F	7.	19-7450	Damper spring, sidecar (Girling 64544120)	2
L, T, R, F	8.	68-7062	Rear brake rod complete	1
L, T, R, F	9.	68-7055	Pivot bolt, brake pedal ($\frac{5}{8}$ " British Standard Cycle)	1
L, T, R, F	10.	83-1460	Pivot pin, brake rod to pedal	1
L, T, R, F	11.	02-0079	Screw, switch arm to pedal ($\frac{1}{4}$ " British Standard Cycle \times $\frac{1}{2}$ ")	2
L, T, R, F	12.	29-0541	Lockwasher for screw, line 11 ($\frac{1}{4}$ ")	2
L, T, R, F	13.	02-1309	Screw, stop lever to switch arm ($\frac{3}{16}$ " British Standard Cycle \times $11/32$ ")..	1
L, T, R, F	14.	29-3319	Lockwasher for lever, line 16 ($\frac{3}{16}$ ")..	1
L, T, R, F	15.	68-7052	Stop switch arm, brake pedal	1
L, T, R, F	16.	68-7013	Stop switch actuating lever	1
L, T, R, F	17.	68-7050	Rear brake pedal	1
L, T, R, F	18.	21-1992†	Security bolt, swinging arm ($\frac{9}{16}$ " Unified Fine \times $10\frac{3}{16}$ ")	1
L, T, R, F	19.	83-1517	Lockwasher, swinging arm security bolt	1
L, T, R, F	20.	82-9537	Spacer, swinging arm, right-hand	1
L, T, R, F	21.	83-1318	Rubber sleeve, dust excluder..	2
L, T, R, F	22.	82-6821	Bobbin, swinging arm..	2
L, T, R, F	23.	42-5883	Nut for pivot bolt, line 9 ($\frac{5}{8}$ " British Standard Cycle)	1
L, T, R, F	24.	25-6015	Spring washer for nut, line 23	1
L, T, R, F	25.	82-6042	Bush, swinging arm	2
L, T, R, F	26.	02-0525	Washer, brake rod pivot pin	1

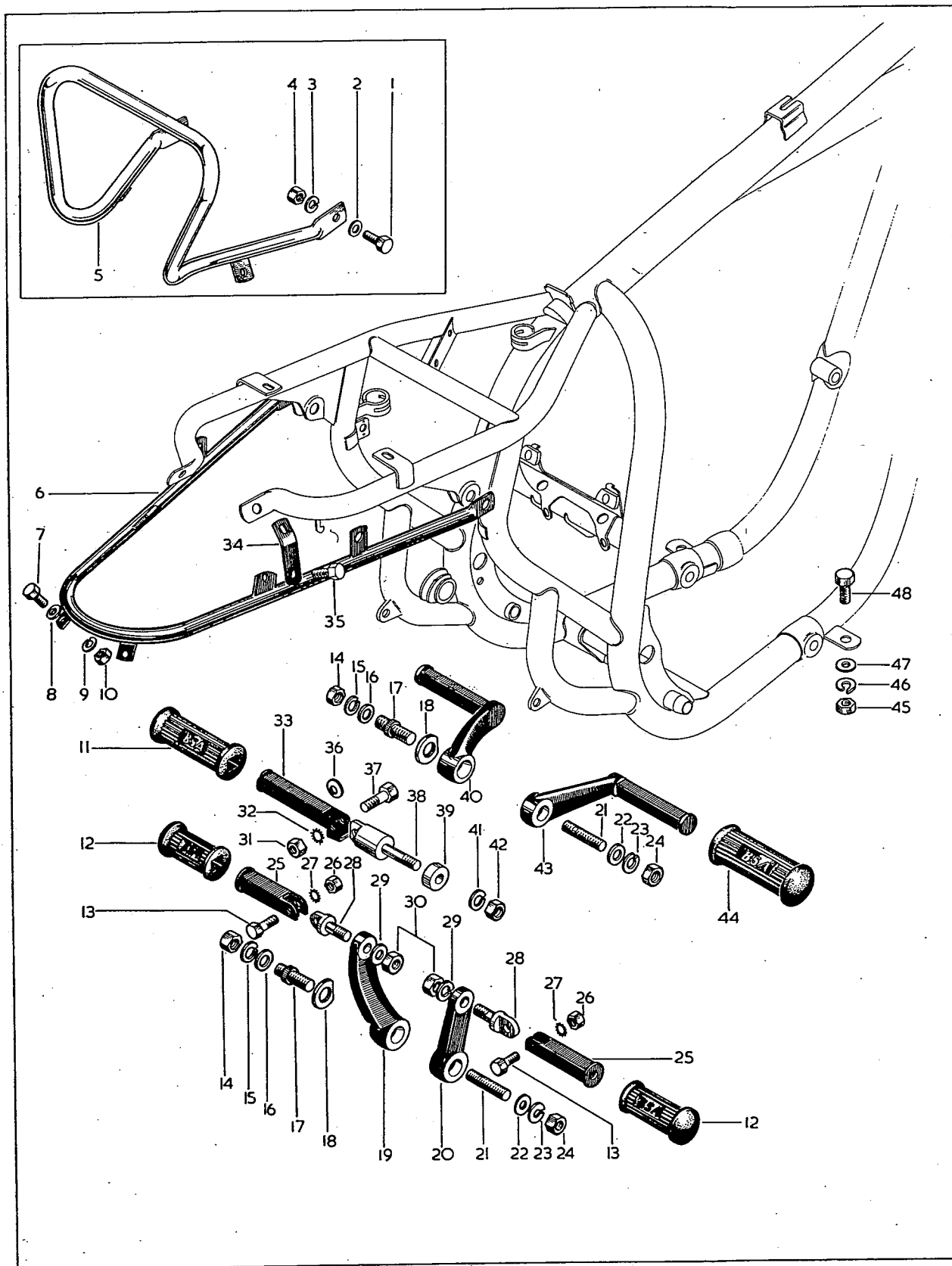


SWINGING ARM, CENTRE STAND, REAR BRAKE CONTROL

Model	Plate Ref.	Spares No.	Description	Per Set
L, T, R, F	27.	60-2683	Split pin, brake rod pivot pin	1
L, T, R, F	28.	82-9532	Swinging arm with bushes	1
L, T, R, F	29.	24-1088	Fibre washer for grease nipple	1
L, T, R, F	30.	47-9012	Grease nipple, swinging arm	1
L, T, R, F	31.	68-4708	Return spring, centre stand	1
L, T, R, F	32.	28-2080	Grease nipple, centre stand	2
L, T, R, F	33.	42-4745	Spacer tube, centre stand	1
L, T, R, F	34.	60-2722	Split pin, centre stand ($3/32" \times 3/4"$)	2
L, T, R, F	35.	15-0039	Washer, centre stand ($1/2" \times 27/32" \times 1/16"$)	2
L, T, R, F	36.	03-1346	Spring washer, centre stand ($17/32" \times 7/8" \times .040"$)	1
L, T, R, F	37.	42-4744	Pivot bar, centre stand	1
L, T, R, F	38.	68-4729	Centre stand complete	1
L, T, R, F	39.	89-3208	Rubber, centre stand	2
L, T, R, F	40.	68-4235	Nut, damper bottom mounting ($3/8"$ British Standard Cycle)	2
L, T, R, F	41.	02-0522	Spring washer, damper bottom mounting ($3/8" \times 3/4" \times .056"$)	2
L, T, R, F	42.	24-0563	Locknut, wheel adjuster ($5/16"$ British Standard Cycle)	2
L, T, R, F	43.	68-4150	Screw, wheel adjuster ($5/16"$ British Standard Cycle)	2
L, T, R, F	44.	40-6910	Bolt, damper bottom mounting, left-hand ($3/8"$ British Standard Cycle $\times 1 7/8"$)	1
L, T, R, F	44.	03-1399	Bolt, damper bottom mounting, right-hand ($3/8"$ British Standard Cycle $\times 1 3/4"$)	1
L, T, R, F	45.	90-7029	Adjuster nut, brake rod ($1/4"$ British Standard Fine)	1
L, T, R, F	46.	65-6274	Swivel pin, brake rod	1
L, T, R, F	47.	14-0113	Bolt, lock plate ($5/16"$ Unified Fine $\times 5/8"$)	1
L, T, R, F	48.	36-0382	Lockwasher for bolt, line 47 ($5/16"$)	1
L, T, R, F	49.	82-9539	Lock plate, swinging arm	1
L, T, R, F	50.	82-9536	Spacer, swinging arm, left-hand	1
L, T, R, F	51.	82-9538	Spacer tube, swinging arm	1

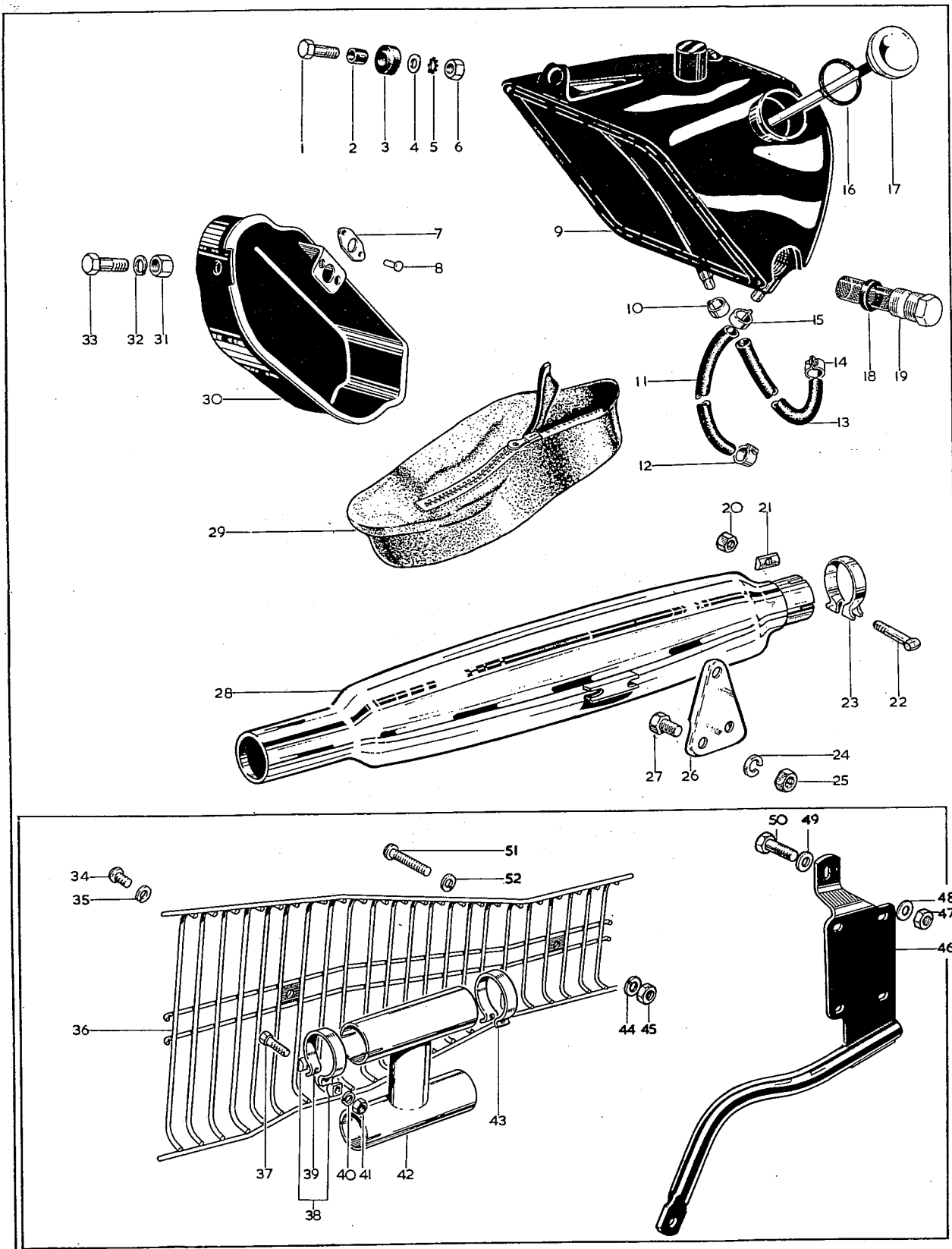
*For use with short seat only.

†Special material: 18.—EN8R.

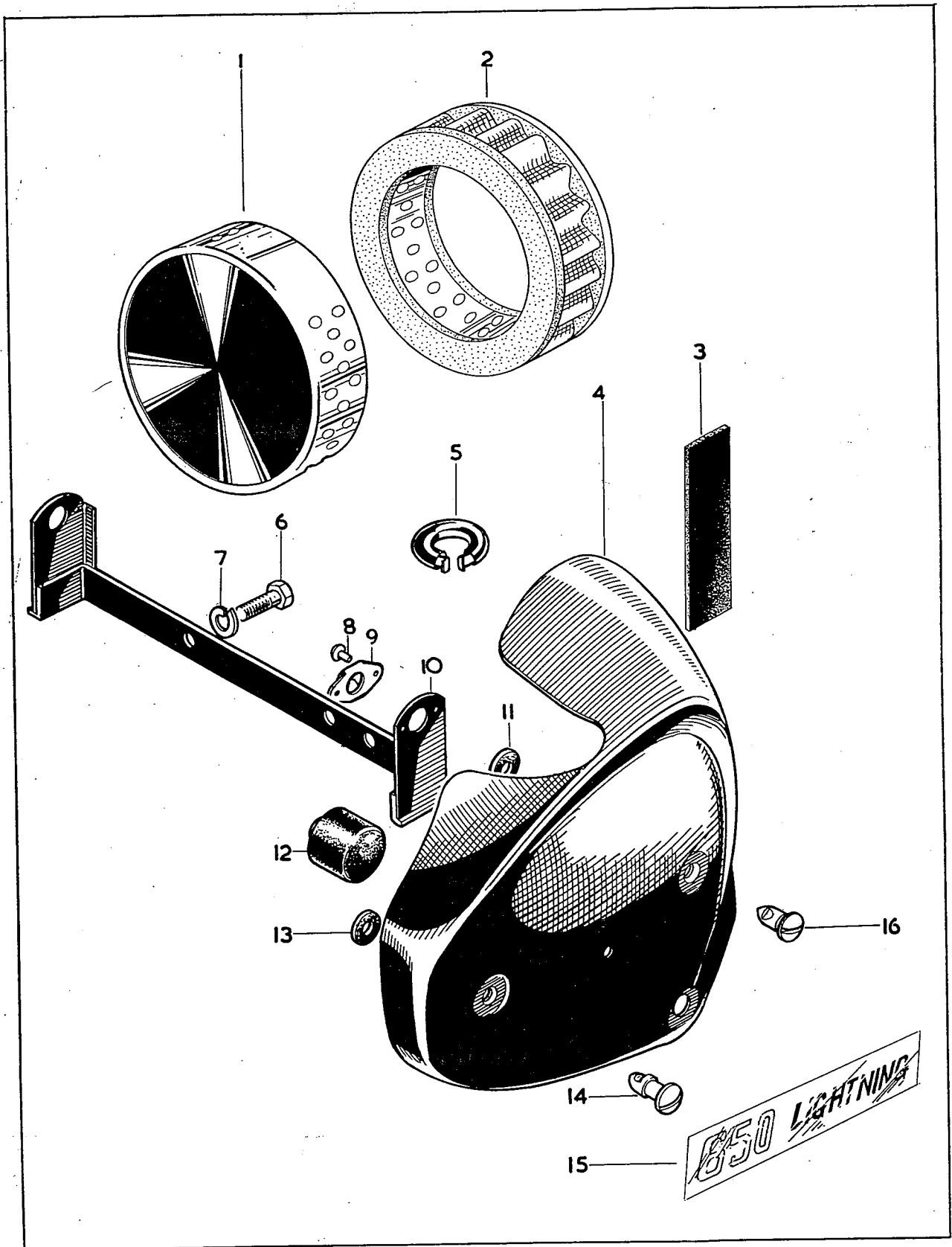


HANDRAIL, SUPPORT RAIL, FOOTRESTS

<i>Model</i>	<i>Plate Ref.</i>	<i>Spares No.</i>	<i>Description</i>	<i>Per Set</i>
L, T, R, F	1.	14-0113	Bolt, handrail to support rail	2
L, T, R, F	2.	02-0923	Washer, handrail to support rail	2
L, T, R, F	3.	24-8784	Spring washer, handrail to support rail	2
L, T, R, F	4.	14-0302	Nut, handrail to support rail	2
L, T, R, F	5.	68-9327	Handrail (to order only)	1
L, T, R	6.	68-6803	Support rail	1
F	6.	82-9967	Support rail	1
L, T, R, F	7.	14-0113	Bolt, support rail	4
L, T, R, F	8.	02-0923	Washer, support rail	4
L, T, R, F	9.	24-8784	Spring washer, support rail	4
L, T, R, F	10.	14-0302	Nut, support rail	4
L, T, R, F	11.	82-9603	Pillion footrest rubber	2
F	12.	82-9608	Footrest rubber	2
F	13.	14-0215	Pivot bolt, folding footrest	2
L, T, R, F	14.	29-5839	Nut, footrest stud (left-hand)	1
L, T, R, F	15.	02-1967	Spring washer, footrest stud	1
L, T, R, F	16.	02-1945	Washer, footrest stud	1
L, T, R, F	17.	68-4804	Footrest stud (left-hand)	1
L, T, R, F	18.	40-4818	Lockplate, footrest stud (left-hand)	1
F	19.	68-4808	Footrest bracket (left-hand)	1
F	20.	68-4809	Footrest bracket (right-hand)	1
L, T, R, F	21.	68-4805	Footrest stud (right-hand)	1
L, T, R, F	22.	02-1945	Washer, footrest stud	1
L, T, R, F	23.	02-1967	Spring washer, footrest stud	1
L, T, R, F	24.	02-1925	Nut, footrest stud (right-hand)	1
F	25.	42-4926	Folding footrest	2
F	26.	14-0402	Nut, pivot bolt	2
F	27.	36-0382	Lockwasher, pivot bolt nut	2
F	28.	65-4917	Anchor bolt, folding footrest	2
F	29.	02-0522	Spring washer, anchor bolt	2
F	30.	02-0046	Nut, anchor bolt	2
L, T, R, F	31.	14-0402	Nut for pivot bolt, line 37	2
L, T, R, F	32.	36-0382	Lockwasher, pivot bolt	2
L, T, R, F	33.	68-4835	Pillion footrest	2
L, T, R, F	34.	68-6802	Support rail bracket	2
L, T, R, F	35.	14-0114	Bolt, handrail and bracket	2
L, T, R, F	35.	14-0113	Bolt, support rail bracket	2
L, T, R, F	36.	04-2276	Washer, pillion footrest	2
L, T, R, F	37.	14-0215	Pivot bolt, pillion footrest	2
L, T, R, F	38.	68-4828	Anchor bolt, pillion footrest	2
L, T, R, F	39.	29-7565	Spacer, anchor bolt	2
L, T, R, F	40.	68-4802	Footrest (left-hand)	1
L, T, R, F	41.	02-0522	Spring washer, anchor bolt	2
L, T, R, F	42.	14-0303	Nut, anchor bolt	2
L, T, R	43.	68-4803	Footrest (right-hand)	1
L, T, R	44.	82-9602	Footrest rubber	2
L, T, R	45.	14-0302	Nut, exhaust pipe to frame	2
L, T, R	46.	24-8784	Spring washer, exhaust to frame	2
L, T, R	47.	02-0923	Washer, exhaust to frame	2
L, T, R	48.	14-0114	Bolt, exhaust pipe to frame	2

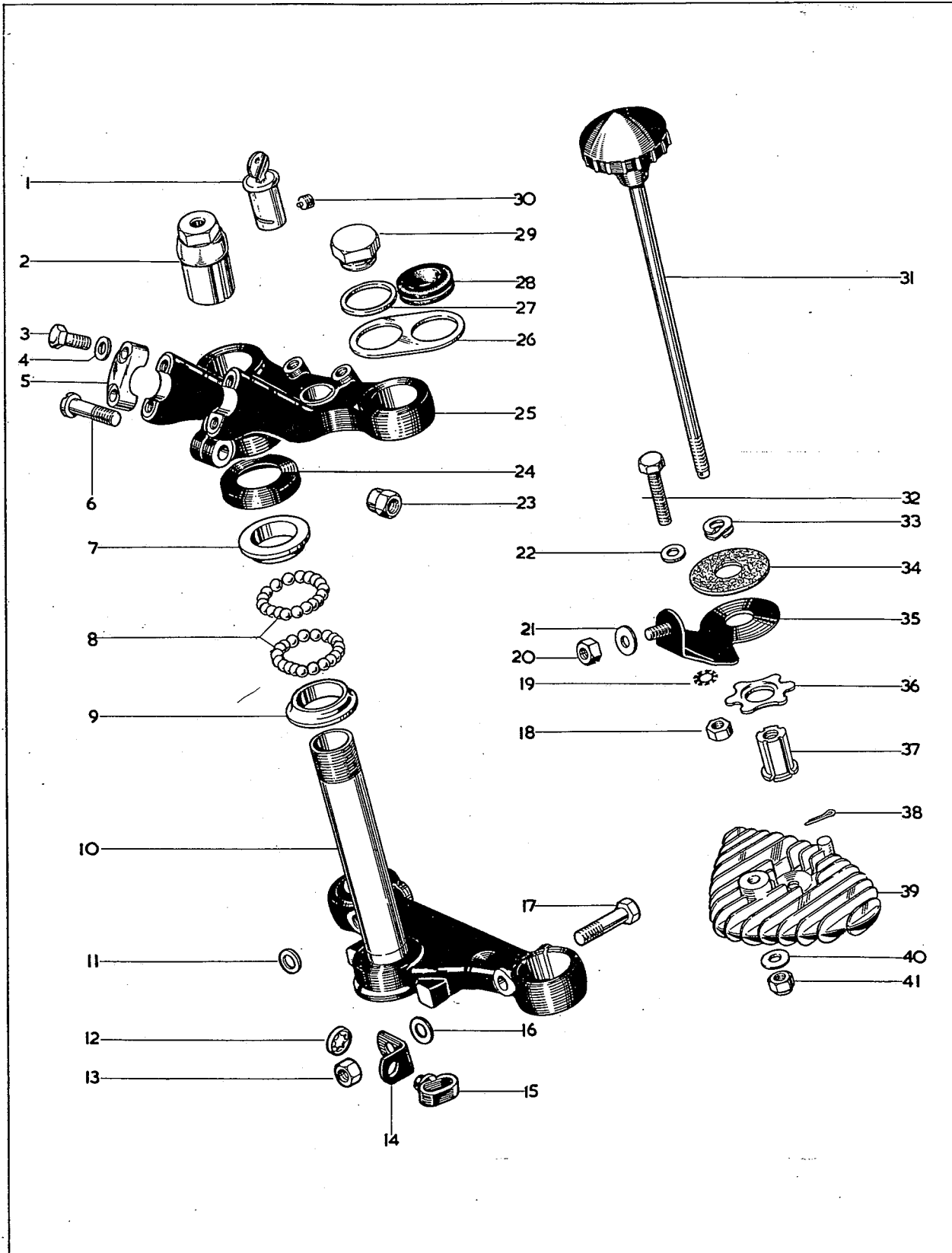


Model	Plate Ref.	Spares No.	Description	Per Set
L, T, R, F	1.	14-0221	Bolt, oil tank mounting ($\frac{5}{16}$ " Unified Fine $\times 2$ ")	1
L, T, R, F	2.	68-8317	Spacer, oil tank mounting	1
L, T, R, F	3.	68-8334	Rubber, oil tank mounting	1
L, T, R, F	4.	02-0923	Washer, oil tank mounting ($\frac{5}{16}$ " $\times \frac{5}{8}$ " $\times \frac{1}{16}$ ")	1
L, T, R, F	5.	36-0382	Lockwasher, oil tank mounting	1
L, T, R, F	6.	14-0302	Nut, oil tank mounting ($\frac{5}{16}$ " Unified Fine)	1
L, T, R, F	7.	68-9115	'Oddie' clip, sidecover	1
L, T, R, F	8.	68-9337	Rivet, 'Oddie' clip	2
L, T, R, F	9.	68-8378	Oil tank with fixed fittings	1
L, T, R, F	10.	68-8343	Clip, oil return pipe	1
L, T, R, F	11.	68-8383	Oil feed pipe	1
L, T, R, F	12.	68-8382	Clip, oil feed pipe	1
L, T, R, F	13.	70-4594	Oil return pipe	1
L, T, R, F	14.	68-8343	Clip, oil return pipe	1
L, T, R, F	15.	68-8382	Clip, oil feed pipe	1
L, T, R, F	16.	67-0042	Washer, filler cap	1
L, T, R, F	17.	68-8368	Filler cap, oil tank	1
L, T, R, F	18.	68-0610	"O" ring, oil tank filter	1
L, T, R, F	19.	68-8328	Oil tank filter	1
L, T, R	20.	21-5102	Nut for bolt, line 22 ($\frac{1}{4}$ " British Standard Fine)	2
L, T, R	21.	90-3064	"D" washer, silencer clip	2
L, T, R	22.	90-3063	"T" bolt, silencer clip ($\frac{1}{4}$ " British Standard Fine)	2
L, T, R	23.	42-2860	Clip, silencer to exhaust pipe	2
L, T, R, F	24.	82-9020	Spring washer, bracket to silencer ($\frac{1}{4}$ ")	4
L, T, R, F	25.	14-0301	Nut, bracket to silencer ($\frac{1}{4}$ " Unified Fine)	4
L, T, R	26.	68-2781	Bracket, silencer (left-hand)	1
L, T, R	26.	68-2780	Bracket, silencer (right-hand)	1
L, T, R, F	27.	14-0101	Bolt, bracket to silencer ($\frac{1}{4}$ " Unified Fine $\times \frac{1}{2}$ ")	4
L, T, R	28.	68-2732	Silencer	2
F	28.	70-9206	Silencer	2
L, T, R, F	29.	68-9134	Toolbag	1
L, T, R, F	30.	68-9131	Toolbox	1
L, T, R, F	31.	14-0301	Nut, toolbox to frame ($\frac{1}{4}$ " Unified Fine)	2
L, T, R, F	32.	82-9020	Spring washer, toolbox to frame ($\frac{1}{4}$ ")	2
L, T, R, F	33.	14-0101	Bolt, toolbox to frame ($\frac{1}{4}$ " Unified Fine $\times \frac{1}{2}$ ")	2
F	34.	14-0604	Screw, rear, heat shield ($\frac{1}{4}$ " Unified Fine $\times \frac{7}{16}$ ")	1
F	35.	82-9020	Spring washer for screw, line 34	1
F	36.	70-9716	Heat shield	1
F	37.	14-0219	Bolt, exhaust pipe clip ($\frac{5}{16}$ " Unified Fine $\times 1\frac{1}{2}$ ")	4
F	38.	75-2719	"D" washer, exhaust pipe clip	8
F	39.	70-5874	Exhaust pipe clip, rear	2
F	40.	54-8003	Spring washer for nut, line 41	4
F	41.	21-1908	Nut, exhaust pipe clip bolt ($\frac{5}{16}$ " Unified Fine)	4
F	42.	70-9698	"H" connector, exhaust pipes	1
F	43.	75-2725	Exhaust pipe clip, front	2
F	44.	82-9020	Spring washer for screw, line 50 ($\frac{1}{4}$ ")	1
F	45.	14-0301	Nut for screw, line 50	1
F	46.	70-9995	Silencer bracket	1
F	47.	14-0302	Nut, bracket bolt ($\frac{5}{16}$ " Unified Fine)	1
F	48.	02-0923	Washer, bracket nut ($\frac{5}{16}$ " $\times \frac{5}{8}$ " $\times \frac{1}{16}$ ")	2
F	49.	14-0114	Bolt, bracket to frame ($\frac{5}{16}$ " Unified Fine $\times \frac{3}{4}$ ")	1
F	50.	14-0605	Screw, front, heat shield ($\frac{1}{4}$ " Unified Fine $\times 1\frac{3}{4}$ ")	1
F	51.	02-0525	Washer, heat shield screw	2



British Cycle Supply Company
SIDECOVERS, AIR CLEANER

<i>Model</i>	<i>Plate Ref.</i>	<i>Spares No.</i>	<i>Description</i>	<i>Per Set</i>
L, F	1.	68-4635	Air cleaner	2
T	1.	82-8401	Air cleaner	1
R	1.	82-8402	Air cleaner	1
L, T, R, F	2.	19-5593	Air cleaner element	2 or 1
T, R	3.	68-9343	Sidecover inner pad	1
L	4.	82-9805	Sidecover (left-hand)	1
L, F	4.	82-9806	Sidecover (right-hand)	1
T, R	4.	82-9850	Sidecover (left-hand)	1
T, R	4.	82-9851	Sidecover (right-hand)	1
F	4.	82-9724	Sidecover (left-hand)	1
L, T, R, F	5.	68-9290	Sidecover buffer	3
L, T, R, F	5.	68-9298	Sidecover buffer	1
T, R	6.	41-7808	Bolt, coil clip and sidecover bracket (1/4" British Standard Cycle x 7/8")	2
L, F	6.	02-0204	Bolt, sidecover bracket to frame (1/4" British Standard Cycle x 1/2")	2
L, T, R, F	7.	82-9020	Spring washer for bolt, lines 6 (1/4")	2
L, T, R, F	8.	68-9337	Rivet, "Oddie" clip	4
L, T, R, F	9.	68-9115	"Oddie" clip	2
L, F	10.	82-8291	Sidecover bracket	1
T, R	10.	68-9340	Sidecover bracket	1
L, T, R, F	11.	68-9226	Rubber washer, "Oddie" stud	6 or 5
T, R	12.	40-8046	Sidecover rubber pad (left-hand)	1
L	12.	83-1461	Sidecover rubber buffer (left-hand)	1
L, T, R, F	12.	40-8046	Sidecover rubber pad (right-hand)	1
L, T, R, F	13.	68-9227	Rubber washer, "Oddie" stud	4
L, T, R, F	14.	68-9287	"Oddie" stud (left-hand, rear)	1
L	15.	60-2371	Transfer, sidecover	2
F (U.S.A.)	15.	60-2372	Transfer, sidecover (right-hand)	1
F (U.S.A.)	15.	60-2373	Transfer, sidecover (left-hand)	1
T	15.	60-2375	Transfer, sidecover	2
R	15.	60-2374	Transfer, sidecover	2
L, T, R, F	16.	68-9223	"Oddie" stud	4 or 3



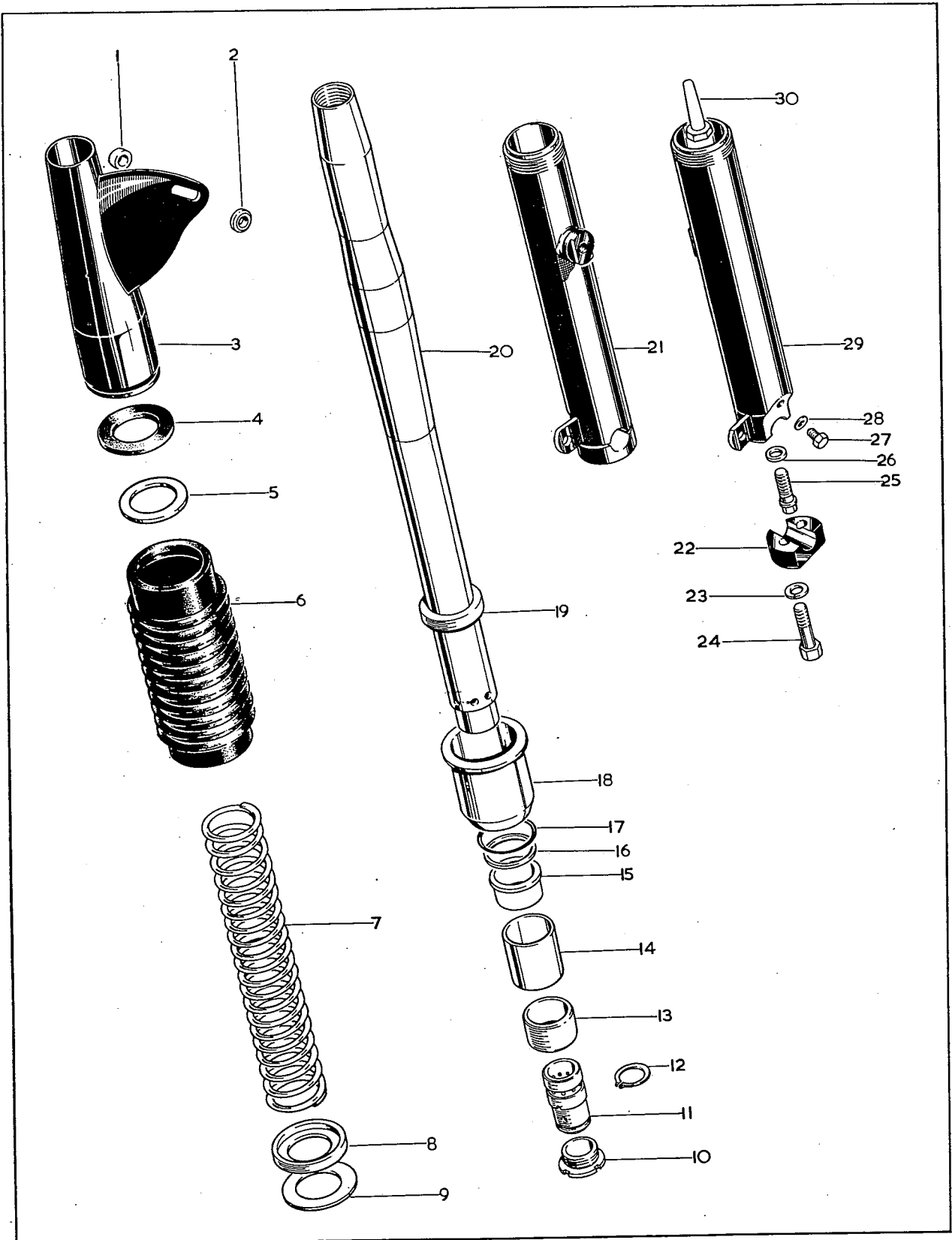
STEERING HEAD

Model	Plate Ref.	Spares No.	Description	Per Set
L, T, R, F	1.	68-5050*	Steering lock and key	1
L, T, R, F	2.	97-2702	Steering nut and adjuster	1
L, T, R, F	3.	68-5056	Bolt, handlebar clip ($\frac{5}{16}$ " British Standard Cycle \times $1\frac{1}{8}$ ")	4
L, T, R, F	4.	15-5155	Washer for bolt, line 3 ($\cdot 328$ " \times $\cdot 505$ " \times $\cdot 048$ ")	4
L, T, R, F	5.	65-5333	Handlebar clip	2
L, T, R, F	6.	27-5135	Bolt, top yoke clip ($\frac{3}{8}$ " British Standard Cycle \times $1-9/16$ ")	1
L, T, R, F	7.	65-5126	Top cone, steering head	1
L, T, R, F	8.	97-2704	Quarter-inch diameter ball, steering head	40
L, T, R, F	9.	65-5127	Bottom cone, steering head	1
L, T, R, F	10.	97-3862	Bottom yoke and steering stem	1
L, T, R, F	11.	54-4307	Washer, bottom yoke pinch bolt	3
L, T, R, F	12.	82-8245	Lockwasher, cable retainer	1
L, T, R, F	13.	14-1303	Nut, for bolt line 17 ($\frac{3}{8}$ " U.N.F.)	2
L, T, R, F	14.	97-3682	Bracket, cable retainer	1
L, T, R, F	15.	97-2270	Brake cable retainer	1
L, T, R, F	16.	02-2138	Washer, bottom yoke bolt ($\cdot 380$ " \times $\cdot 750$ " \times $\cdot 064$ ")	2
L, T, R, F	17.	21-0785†	Pinch bolt, bottom yoke ($\frac{3}{8}$ " Unified Fine \times $2-7/16$ ")	2
L, T, R, F	18.	14-0402	Nut, heat sink and steady stay ($\frac{5}{16}$ " Unified Fine)	1
L, T, R, F	19.	36-0382	Lockwasher, heat sink and steady stay ($\frac{5}{16}$ "	1
L, T, R, F	20.	14-0302	Nut, damper, anchor plate ($\frac{5}{16}$ " U.N.F.)	1
L, T, R, F	21.	02-0923	Washer for nut, line 20 ($\frac{5}{16}$ " \times $\frac{5}{8}$ " \times $\frac{1}{16}$ ")	1
L, T, R, F	22.	02-0923	Washer, heat sink and steady stay ($\frac{5}{16}$ " \times $\frac{5}{8}$ " \times $\frac{1}{16}$ ")	1
L, T, R, F	23.	64-6016	Nut for bolt 27-5135 ($\frac{3}{8}$ " British Standard Cycle)	1
L, T, R, F	24.	66-5204	Dust cap for top cone	1
L, T, R, F	25.	68-5129	Top yoke	1
L, T, R, F	26.	68-5137‡	Cable guide bracket	2
L, T, R, F	27.	65-5332	Washer for top cap nut, line 29	2
L, T, R, F	28.	76-9325‡	Grommet for guide bracket	2
L, T, R, F	29.	97-2245	Top cap nut ($1\frac{1}{16}$ " \times 28 turns per inch Unified Fine)	2
L, T, R, F	30.	65-5446	Grub-screw, steering lock	1
L, T, R, F	31.	97-3875	Steering damper rod complete	1
L, T, R, F	32.	14-0119	Bolt, heat sink and steady stay ($\frac{5}{16}$ " Unified Fine \times 2")	1
L, T, R, F	33.	24-6035	Spring washer, damper rod	1
L, T, R, F	34.	65-5380	Friction washer, steering damper	1
L, T, R, F	35.	68-5185	Anchor plate, steering damper	1
L, T, R, F	36.	25-5247	Star washer, steering damper	1
L, T, R, F	37.	65-5328	Centre, steering damper	1
L, T, R, F	38.	60-2720	Split pin, steering damper ($3/32$ " \times $1/2$ ")	1
L, T, R, F	39.	68-9428	Heat sink for zener diode	1
L, T, R, F	40.	02-0923	Washer, heat sink and steady stay ($\frac{5}{16}$ " \times $\frac{5}{8}$ " \times $\frac{1}{16}$ ")	1
L, T, R, F	41.	14-1802	Nut, heat sink and steady stay ($\frac{5}{16}$ " Unified Fine)	1

*See page 6.

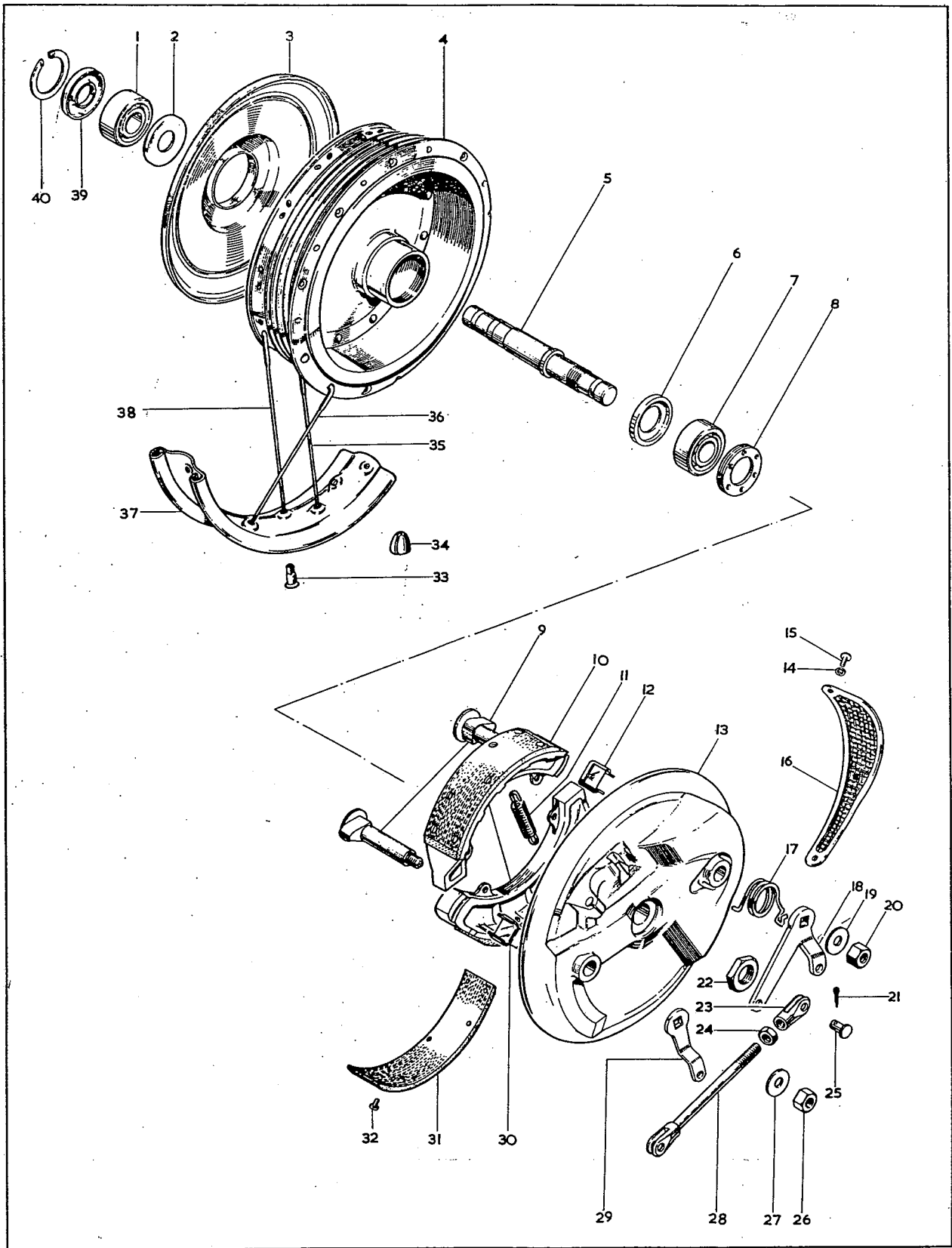
†Special material: 17.—EN15.

‡U.S.A. models only.



<i>Model</i>	<i>Plate Ref.</i>	<i>Spares No.</i>	<i>Description</i>	<i>Per Set</i>
L, T, R, F	1.	68-5108	Headlamp spacer	2
L, T, R, F	2.	68-5104	Headlamp bolt washer	2
L, T, R, F	3.	97-2510	Fork sleeve (left-hand)	1
L, T, R, F	3.	97-2512	Fork sleeve (right-hand)	1
L, T, R, F	4.	47-5065	Fork oil seal washer	2
L, T, R, F	5.	47-5064	Oil seal retainer	4
L, T, R, F	6.	97-3635	Fork bellows	2
L, T, R, F	7.	89-5036	Fork spring, solo	2
L, T, R	7.	42-5145	Fork spring, sidecar	2
L, T, R, F	8.	97-3638	Fork spring support	2
L, T, R, F	9.	97-1656	Washer, spring support	2
L, T, R, F	10.	97-2091	Fork bottom nut (1-1/16" 28-2A Unified Fine)	2
L, T, R, F	11.	97-2154	Shuttle valve	2
L, T, O, F	12.	97-2127	Shuttle valve circlip	2
L, T, R, F	13.	75-5104	Fork lower bush	2
L, T, R, F	14.	97-3672	Fork inner sleeve	2
L, T, R, F	15.	75-5105	Fork top bush	2
L, T, R, F	16.	75-5088	Outer washer "O" ring	2
L, T, R, F	17.	75-5199	Fork "O" ring	2
L, T, R, F	18.	97-3633	Lower cover tube	2
L, T, R, F	19.	75-5099	Fork oil seal	2
L, T, R, F	20.	97-3906	Fork stanchion	2
L, T, R, F	21.	97-3933	Fork outer member (left-hand)	1
L, T, R, F	22.	97-3643	Fork end cap (left-hand)	1
L, T, R, F	22.	97-3647	Fork end cap (right-hand)	1
L, T, R, F	23.	54-8003	Spring washer for bolt, line 24	4
L, T, R, F	24.	14-0218	Bolt, fork end cap	4
L, T, R, F	25.	97-2126*	Bolt, for restrictor (1/4" Unified Fine)	2
L, T, R, F	26.	40-5069	Washer for bolt, line 25	2
L, T, R, F	27.	97-3894	Fork drain plug	2
L, T, R, F	28.	97-3893	Drain plug washer	2
L, T, R, F	29.	97-3934	Fork outer member (right-hand)	1
L, T, R, F	30.	97-2090	Fork restrictor	2
L, T, R, F		97-3902	Front fork complete	1

*Special material: 25.—EN36T.



FRONT WHEEL

Model	Plate Ref.	Spares No.	Description	Per Set
L, T, R, F	1.	42-5819	Bearing (Hoffman 120)	1
L, T, R, F	2.	37-1481	Grease cap	1
L, T, R, F	3.	37-3460	Nave plate	1
L, T, R, F	4.	37-3404	Front hub with spindle and bearings	1
L, T, R, F	5.	37-3582	Wheel spindle	1
L, T, R, F	6.	37-3337	Bearing support ring	1
L, T, R, F	7.	42-5819	Bearing (Hoffman 120)	1
L, T, R, F	8.	42-6335	Bearing lock ring	1
L, T, R, F	9.	37-2001	Brake cam spindle	2
L, T, R, F	10.	37-1996	Brake shoe complete	2
L, T, R, F	11.	42-5841	Brake shoe spring	2
L, T, R, F	12.	37-2026	Abutment pad, brake shoe	1
L, T, R, F	13.	37-3462	Brake anchor plate less brake details	1
L, T, R, F	14.	82-2351	Washer for screw, line 15	3
L, T, R, F	15.	21-1998	Screw, air scoop gauze	3
L, T, R, F	16.	37-1991	Gauze for air scoop	1
L, T, R, F	17.	37-3522	Return spring, front brake lever	1
L, T, R, F	18.	37-3453	Brake lever (front)	1
L, T, R, F	19.	37-2027	Washer for nut, line 20	1
L, T, R, F	20.	14-0303	Nut, front brake lever ($\frac{3}{8}$ " Unified Fine)	1
L, T, R, F	21.	60-2683	Split pin for pivot pin, line 25 ($\frac{1}{16}$ " \times $\frac{3}{8}$ ")	2
L, T, R, F	22.	21-1995	Nut, anchor plate	1
L, T, R, F	23.	37-2005	Fork end, brake rod	1
L, T, R, F	24.	14-0401	Locknut for fork end ($\frac{1}{4}$ " Unified Fine)	1
L, T, R, F	25.	42-5836	Pivot pin, brake rod	2
L, T, R, F	26.	14-0303	Nut, rear brake lever ($\frac{3}{8}$ " Unified Fine)	1
L, T, R, F	27.	37-2027	Washer for nut, line 27	1
L, T, R, F	28.	37-2003	Brake rod	1
L, T, R, F	29.	37-3454	Brake lever (rear)	1
L, T, R, F	30.	37-2026	Abutment pad, brake shoe	1
L, T, R, F	31.	19-7734	Brake lining	2
L, T, R, F	32.	37-2059	Brake lining rivet	14
L, T, R, F	33.	42-5812	Spoke nipple	40
L, T, R, F	34.	37-1197	Balance weight ($\frac{3}{4}$ ")	as reqd.
L, T, R, F	34.	37-1198	Balance weight (1")	as reqd.
L, T, R, F	35.	37-1709	Spoke (right-hand, inner)	10
L, T, R, F	36.	37-1708	Spoke (right-hand, outer)	10
L, T, R, F	37.	37-1230	Wheel rim, steel (WM2-19)	1
L, T, R, F	38.	37-1328	Spoke (left-hand)	20
L, T, R, F	39.	42-5820	Bearing dust cap	1
L, T, R, F	40.	57-0280	Dust cap circlip	1
L, T, R, F		37-3405	Front wheel with spindle and bearings	1
L, T, R, F		37-3461	Brake anchor plate with brake details	1

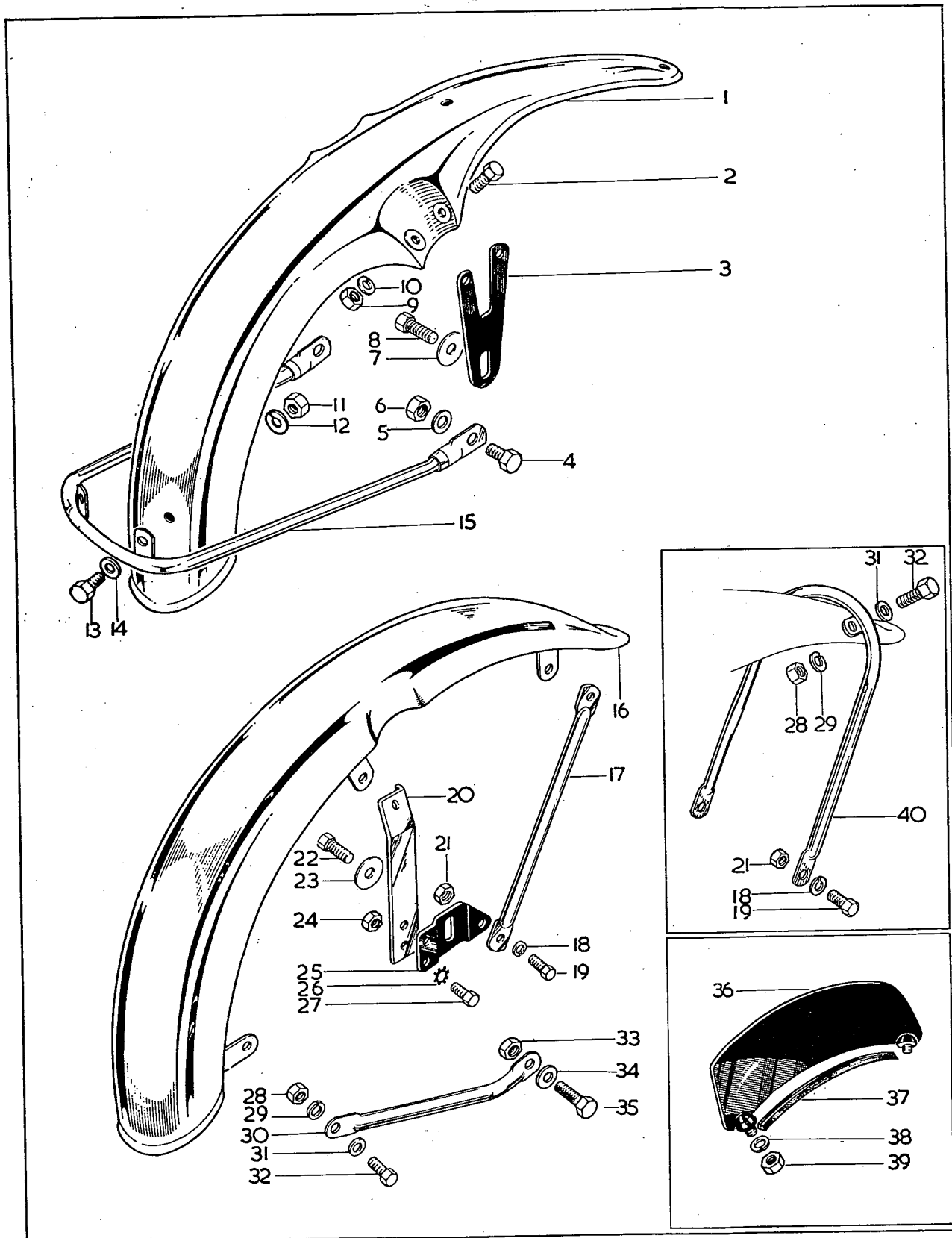
REAR WHEEL

<i>Model</i>	<i>Plate Ref.</i>	<i>Spares No.</i>	<i>Description</i>	<i>Per Set</i>
L, T, R, F	1.	02-0440	Nut, brake lever to cam spindle (7/16" British Standard Cycle)	1
L, T, R, F	2.	66-4708	Lockwasher for nut, line 1 (7/16")	1
L, T, R, F	3.	15-0431	Washer for nut, line 1 (7/16" × 3/4" × 1/16")	1
L, T, R, F	4.	42-6045	Brake lever, anchor plate	1
L, T, R, F	5.	68-6134	Return spring, brale lever	1
L, T, R, F	6.	28-2080	Grease nipple, cam spindle	1
L, T, R, F	7.	68-6130	Brake anchor plate less brake details	1
L, T, R, F	8.	37-2226	Cam spindle complete	1
L, T, R, F	9.	14-1803	Nut, anchor strap to swinging arm (3/8" Unified Fine)	1
L, T, R, F	10.	02-2138	Washer, anchor strap to swinging arm	2
L, T, R, F	11.	40-4908	Spacer, anchor strap	1
L, T, R, F	12.	42-6036	Anchor Strap	1
L, T, R, F	13.	14-0237	Bolt, anchor strap to swinging arm (3/8" Unified Fine × 2 1/2")	1
L, T, R, F	14.	19-7717	Brake lining	2
L, T, R, F	15.	35-6436	Rivet for brake lining	14
L, T, F	16.	19-8681	Rear chain (5/8" × 3/8" × 106 pitch)	1
L, T, R	16.	19-8682	Rear chain (5/8" × 3/8" × 105 pitch)	1
L, T, R, F	17.	67-6038*	Bolt, driving flange to drum	6
L, T, R, F	18.	42-6019	Driving flange	1
L, T, R, F	19.	68-6121	Fixed spindle	1
L, T, R, F	20.	65-2240	Circlip, drum bearing	1
L, T, R, F	21.	68-6131	Shim, brake drum bearing	1
L, T, R, F	22.	65-2045	Bearing, brake drum (Hoffman 125)	1
L, T, R, F	23.	68-6116	Brake drum	1
L, T, R, F	24.	68-6088	Rear chainwheel (47 teeth)	1
L, T, R, F	25.	68-6135	Tab washer for nut, line 26	3
L, T, R, F	26.	02-0452	Nut for bo t, line 17 (3/8" British Standard Cycle)	6
L, T, R, F	27.	68-6092	Spring washer for bolt, line 28 (5/16")	10
L, T, R, F	28.	68-6095*	Bolt, chainwheel to drum (5/16" Unified Fine × 35/64")	10
L, T, R, F	29.	65-5940	Brake shoe complete	2

REAR WHEEL

Model	Plate Ref.	Spares No.	Description	Per Set
L, T, R, F	30.	65-5904	Return spring, brake shoe	2
L, T, R, F	31.	68-6133	Pivot pin, brake shoe	1
L, T, R, F	32.	65-5111	Lockwasher for nut, line 33 (1/2")	1
L, T, R, F	33.	24-7000	Nut, pivot pin to brake plate (1/2" British Standard Cycle)	1
L, T, R, F	34.	68-6132	Collar, brake plate	1
L, T, R, F	35.	68-6100	Nut, fixed spindle	1
L, T, R, F	36.	65-5883	Hub bearing (Hoffman LS9)	1
L, T, R, F	37.	65-5887	Felt washer retainer	1
L, T, R, F	38.	65-5886	Felt washer	1
L, T, R, F	39.	41-6021	Retaining ring, felt washer	1
L, T, R, F	40.	19-9217	Speedometer gearbox, m.p.h. (1.25 to 1)	1
L, T, R, F	40.	19-9212	Speedometer gearbox, k.p.h. (2 to 1)	1
L, T, R, F	41.	41-6019	Inner collar (right-hand)	1
L, T, R, F	42.	68-6110	Outer collar (right-hand)	1
L, T, R, F	43.	68-6142	Hub end cover	1
L, T, R, F	44.	68-6120	Wheel spindle	2
L, T, R, F	45.	37-3468	Security bolt	20
L, T, R, F	46.	42-6011	Spoke (left-hand)	20
L, T, R, F	47.	42-6371	Wheel rim (WM3-18 steel)	1
L, T, R, F	48.	42-6012	Spoke (right-hand)	20
L, T, R, F	49.	27-6810	Spoke nipple	40
L, T, R, F	50.	68-6114	Hub with spindle and bearings	1
L, T, R, F	51.	67-6051	Rubber sleeve	1
L, T, R, F	52.	67-6027	Spindle sleeve	1
L, T, R, F	53.	65-5884	Bearing thrust washer	1
L, T, R, F	54.	65-5883	Hub bearing (Hoffman LS9)	1
L, T, R, F	55.	68-6081	Bearing lock ring	1
L, T, R, F		68-6145	Wheel with spindle and bearings	1

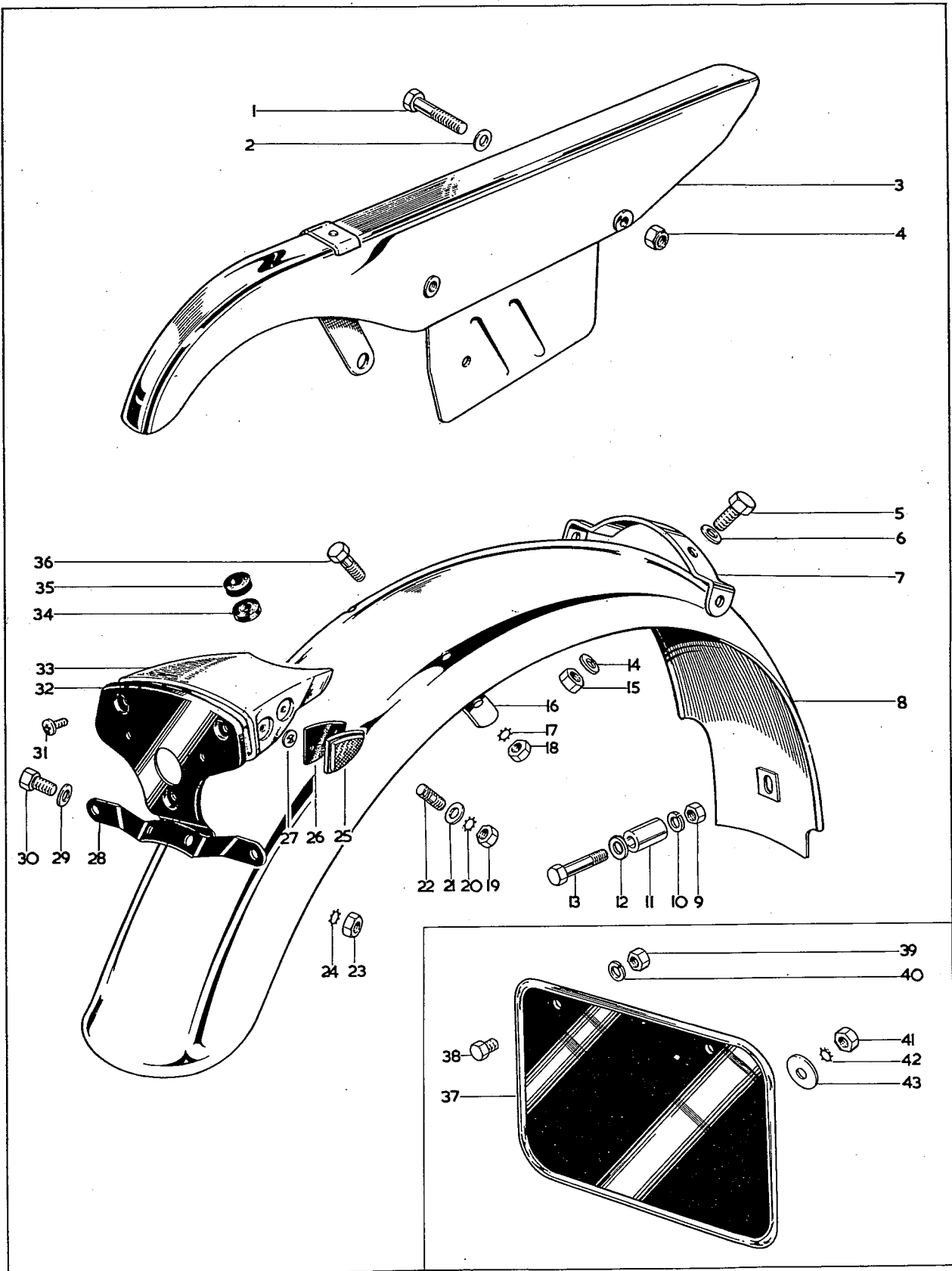
*Special material: 17.—EN14B. 28.—EN14B.



FRONT MUDGUARDS

Model	Plate Ref.	Spares No.	Description	Per Set
F	1.	97-3896	Front mudguard	1
F	2.	14-0101	Bolt, mudguard to bracket ($\frac{1}{4}$ " Unified Fine $\times \frac{1}{2}$ ")	4
F	3.	82-9772	Bracket, mudguard to fork	2
F	4.	14-0114	Bolt, stay to fork end ($\frac{5}{16}$ " Unified Fine $\times \frac{3}{4}$ ")	2
F	5.	54-0055	Washer for nut, line 6 ($\frac{5}{16}$ " $\times \frac{5}{8}$ " $\times \frac{1}{16}$ ")	2
F	6.	14-0702	Nut for bolt, line 4 ($\frac{5}{16}$ " Unified Fine)	2
F	7.	54-5504	Washer, bracket to fork leg	2
F	8.	21-1822	Bolt, bracket to fork leg ($\frac{5}{16}$ " Unified Fine $\times \frac{1}{2}$ ")	2
F	9.	14-0301	Nut for bolt, line 2 ($\frac{1}{4}$ " Unified Fine)	4
F	10.	82-9020	Spring washer for nut, line 9 ($\frac{1}{4}$ ")	4
F	11.	14-0301	Nut for bolt, line 13 ($\frac{1}{4}$ " Unified Fine)	2
F	12.	82-9020	Spring washer for nut, line 11 ($\frac{1}{4}$ ")	2
F	13.	14-0101	Bolt, bottom stay to mudguard ($\frac{1}{4}$ " Unified Fine $\times \frac{1}{2}$ ")	2
F	14.	27-8560	Washer, mudguard bottom fixing	4
F	15.	97-3897	Bottom stay	1
L (U.S.A.)	16.	68-6539	Front mudguard	2
T, R (U.S.A.)	16.	68-6536	Front mudguard	1
L, T, R	16.	68-6535	Front mudguard (for number plate)	1
L, T, R	17.	97-3650	Front stay	2
L, T, R	18.	24-8784	Spring washer for bolt, line 19 ($\frac{5}{16}$ " $\times \frac{5}{8}$ " $\times .040$ ")	2
L, T, R	19.	14-0113	Bolt, stay to bracket ($\frac{5}{16}$ " Unified Fine $\times \frac{5}{8}$ ")	2
L, T, R	20.	68-6548	Centre stay (left-hand)	1
L, T, R	20.	68-6549	Centre stay (right-hand)	1
L, T, R	21.	14-0402	Nut for bolt, line 19 ($\frac{5}{16}$ " Unified Fine)	2
L, T, R	22.	21-1822	Bolt, bracket to fork leg ($\frac{5}{16}$ " Unified Fine $\times \frac{1}{2}$ ")	2
L, T, R	23.	54-5504	Washer, bracket to fork leg	2
L, T, R	24.	14-0402	Nut for bolt, line 27 ($\frac{5}{16}$ " Unified Fine)	4
L, T, R	25.	82-9610	Bracket, left-hand, stays to fork	1
L, T, R	25.	82-9771	Bracket, right-hand, stays to fork	1
L, T, R	26.	36-0382	Lockwasher for bolt, line 27 ($\frac{5}{16}$ ")	4
L, T, R	27.	14-0114	Bolt, centre stay to bracket ($\frac{5}{16}$ " Unified Fine $\times \frac{3}{4}$ ")	4
L, T, R	28.	14-0301	Nut for bolt, line 32 ($\frac{1}{4}$ " Unified Fine)	6
L, T, R	29.	82-9020	Spring washer for nut, line 28 ($\frac{1}{4}$ ")	6
L, T, R	30.	82-8347	Bottom stay (left-hand)	1
L, T, R	30.	82-8348	Bottom stay (right-hand)	1
L, T, R	31.	27-8560	Washer for bolt, line 32 ($\frac{1}{4}$ " $\times \frac{5}{8}$ " $\times .048$ ")	6
L, T, R	32.	14-0102	Bolt, stays to mudguard ($\frac{1}{4}$ " Unified Fine $\times \frac{5}{8}$ ")	6
L, T, R	33.	14-0702	Nut for bolt, line 35 ($\frac{5}{16}$ " Unified Fine)	2
L, T, R	34.	54-0055	Washer for bolt, line 35 ($\frac{5}{16}$ " $\times \frac{5}{8}$ " $\times \frac{1}{16}$ ")	2
L, T, R	35.	14-0114	Bolt, bottom stay to fork end ($\frac{5}{16}$ " Unified Fine $\times \frac{3}{4}$ ")	2
L, T, R	36.	68-6524*	Front number plate	1
L, T, R	37.	42-6558*	Number plate bead	1
L, T, R	38.	82-9020*	Spring washer, number plate to mudguard ($\frac{1}{4}$ ")	2
L, T, R	39.	02-2395*	Nut, number plate to mudguard ($\frac{1}{4}$ " British Standard Cycle)	2
L (U.S.A.)	40.	97-3850	Front stay	1

*Except U.S.A. models.



British Cycle Supply Company
REAR MUDGUARD AND CHAINGUARD

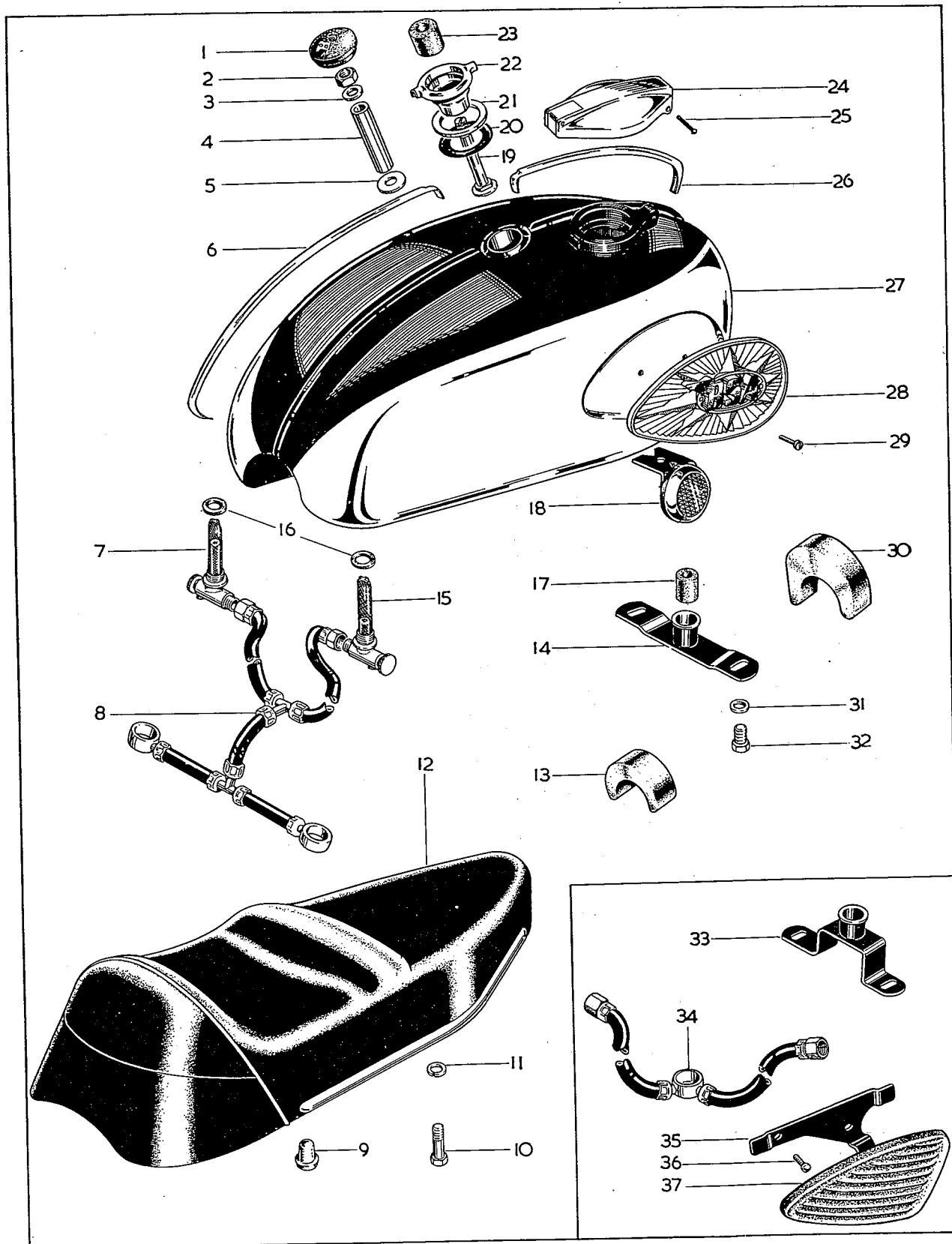
<i>Model</i>	<i>Plate Ref.</i>	<i>Spares No.</i>	<i>Description</i>	<i>Per Set</i>
L, T, R, F	1.	68-7723	Bolt, chainguard to swinging arm (1/4" British Standard Cycle x 2")	2
L, T, R, F	2.	27-8560	Washer for bolt, line 1 (1/4" x 5/8" x .048")	2
L, T, R, F	3.	82-9192	Rear chainguard	1
L, T, R, F	4.	40-0414	Nut for bolt, line 1 (1/4" British Standard Cycle)	2
L, T, R, F	5.	14-0101	Bolt, bridge to guard (1/4" Unified Fine x 1/2")	2
L, T, R, F	6.	27-8560	Washer for bolt, line 5 (1/4" x 5/8" x .048")	2
L, T, R, F	7.	68-6767	Mudguard bridge (top)	1
L, T, R	8.	68-6857	Rear mudguard, for number plate	1
L, T, F (U.S.A.)	8.	68-6856	Rear mudguard	1
L, T, R, F	9.	14-0301	Nut for bolt, line 13 (1/4" Unified Fine)	1
L, T, R, F	10.	82-9020	Spring washer for nut, line 9 (1/4")	1
L, T, R, F	11.	68-6906	Spacer for bolt, line 13	1
L, T, R, F	12.	27-8560	Washer for bolt, line 13	1
L, T, R, F	13.	14-0205	Bolt, guard to frame (1/4" Unified Fine x 1 1/2")	1
L, T, R, F	14.	82-9020	Spring washer for nut, line 15 (1/4")	2
L, T, R, F	15.	14-0301	Nut for bolt, line 5 (1/4" Unified Fine)	2
L, T, R, F	16.	68-6768	Stiffener plate	1
L, T, R, F	17.	36-0382	Lockwasher for nut, line 18 (5/16")	2
L, T, R, F	18.	14-0402	Nut for bolt, line 36 (5/16" Unified Fine)	2
L, T, R, F	19.	02-2395	Nut for stud, line 22 (1/4" British Standard Cycle)	1
L, T, R, F	20.	29-0541	Lockwasher for nut, line 19 (1/4")	1
L, T, R, F	21.	76-0101	Washer for stud, line 22 (17/64" x 3/4" x .080")	1
L, T, R, F	22.	31-0222	Stud, rear lamp support (1/4" British Standard Cycle/Whitworth)	1
L, T, R, F	23.	14-0301	Nut for bolt, line 30 (1/4" Unified Fine)	2
L, T, R, F	24.	29-0541	Lockwasher for nut, line 23 (1/4")	2
L, T, R, F	25.	19-0943	Rear side reflector (Lucas 57111)	2
L, T, R, F	26.	82-8140	Rubber pad for reflector	2
L, T, R, F	27.	82-8195	"Push-fix" for reflector	4
L, T, R, F	28.	68-6834	Number plate bracket	1
L, T, R, F	29.	27-8560	Washer, number plate bracket to guard (1/4" x 5/8" x .048")	2
L, T, R, F	30.	14-0101	Bolt, number plate bracket to guard (1/4" Unified Fine x 1/2")	2
L, T, R, F	31.	54-9012	Screw, lamp to support (2 British Association x 5/16")	1
L, T, R, F	32.	68-6835	Rear lamp to support plate	1
L, T, R, F	33.	82-8253	Rear lamp support	1
L, T, R, F	34.	82-9097	Grommet for stud, line 22	1
L, T, R, F	35.	67-6839	Wiring grommet	2
L, T, R, F	36.	14-0115	Bolt, guard to seat rail (5/16" Unified Fine x 7/8")	2
L, T, R	37.	68-6837*	Rear number plate	2
L, T, R	38.	14-0604*	Bolt, number plate top fixing (1/4" Unified Fine x 1/2")	1
L, T, R	39.	14-0301*	Nut for bolt, line 38 (1/4" Unified Fine)	2
L, T, R	40.	82-9020*	Spring washer for nut, line 39 (1/4")	2
L, T, R	41.	14-0301*	Nut, number plate bottom fixing (1/4" Unified Fine)	1
L, T, R	42.	29-0541*	Lockwasher for nut, line 41 (1/4")	1
L, T, R	43.	27-8560*	Washer, number plate bottom fixing (1/4" x 5/8" x .048")	1

*Except U.S.A. models.

British Cycle Supply Company
PETROL TANK (STEEL), TWIN SEAT

<i>Model</i>	<i>Plate Ref.</i>	<i>Spares No.</i>	<i>Description</i>	<i>Per Set</i>
L, T, R	1.	42-8010	Grommet, petrol tank, 2 and 4 gallon	1
L, T, R	2.	68-8014	Nut, tank mounting, 4 gallon ($\frac{5}{16}$ " British Standard Cycle)	1
L, T	2.	21-1999	Nut, tank mounting, 2 gallon	1
L, T, R	3.	68-8016	Washer, top tank mounting, 2 and 4 gallon ($\cdot 453" \times \cdot 906" \times 3/32"$)	1
L, T, R	4.	68-8174	Spacer tube, tank mounting, 2 gallon	1
L, T, R	4.	68-8012	Spacer tube, tank mounting, 4 gallon	1
L, T, R	5.	76-0012	Washer, bottom tank mounting, 2 and 4 gallon ($\frac{5}{16}" \times 9/16" \times 3/32"$)	1
L, T, R	6.	68-8159	Beading, rear, 2 gallon	1
L, T, R	6.	68-8039	Beading, rear, 4 gallon	1
L, T, R	7.	82-9611	Petrol tap, long, 2 and 4 gallon	1
L	8.	82-8409	Petrol pipe complete, 2 and 4 gallon	1
L, T, R, F	9.	76-9110	Rubber pad, twin seat	2
L, T, R, F	10.	03-1156	Bolt, twin seat ($\frac{5}{16}$ " British Standard Cycle $\times \frac{7}{8}"$)	2
L, T, R, F	11.	24-8784	Spring washer, twin seat ($\frac{5}{16}" \times \frac{5}{8}" \times \cdot 040"$)	2
L, T, R, F	12.	68-9330	Twin seat	1
L, T, R	13.	68-8018	Rubber pad, rear, 2 and 4 gallon	1
L, T, R	14.	68-8176	Tank bracket, 2 gallon	1
L, T, R	15.	68-8024	Petrol tap, short, 2 and 4 gallon	1
L, T, R	16.	82-9204	Petrol tap washer, 2 and 4 gallon	2
L, T, R	17.	68-8054	Rubber bush, tank bracket	1
L, T, F(U.S.A.)	18.	19-1035	Side reflector complete (Lucas 57173)	2
L, T, R	19.	68-8011	Mounting bolt, 4 gallon ($\frac{5}{16}$ " British Standard Cycle)	1
L, T	19.	21-1993	Mounting bolt, 2 gallon ($\frac{5}{16}$ " British Standard Cycle)	1
L, T, R	20.	68-8013	"O" ring, beading holder, 2 and 4 gallon	1
L, T, R	21.	68-8019	Mounting ring, 2 and 4 gallon	1
L, T, R	22.	68-8035	Beading holder, 2 and 4 gallon	1
L, T, R	23.	42-8017	Mounting rubber, 2 and 4 gallon	1
L, T	24.	68-8190	Filler cap, 2 gallon	1

Plate 21—continued

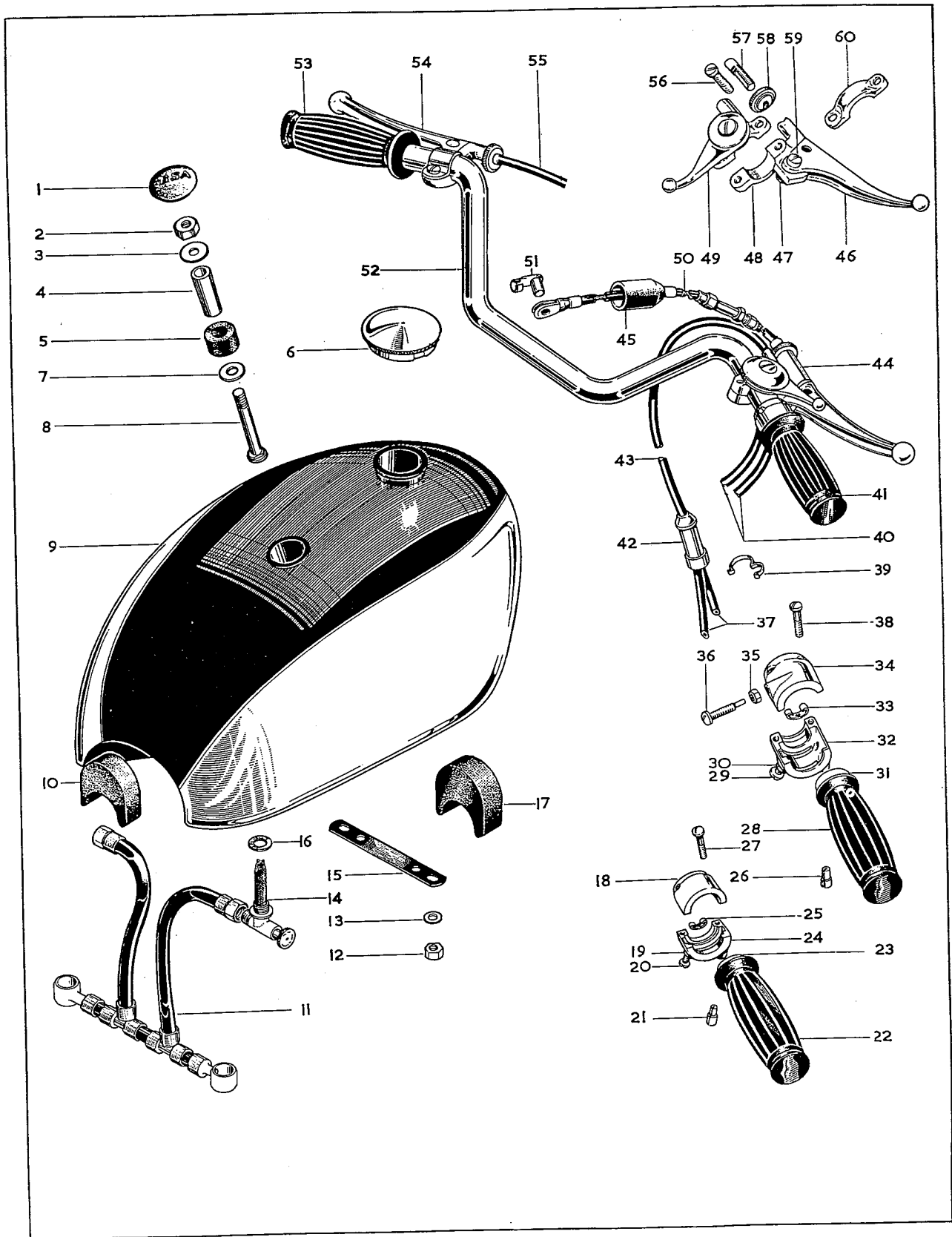


PETROL TANK (STEEL), TWIN SEAT

Model	Plate Ref.	Spares No.	Description	Per Set
L, T, R	24.	75-8009	Filler cap, domed, 4 gallon	1
L, T	25.	68-8191	Rivet, filler cap, 2 gallon	1
L, T	26.	68-8158	Beading, front, 2 gallon	1
L, T, R	26.	68-8038	Beading, front, 4 gallon	1
L, T	27.	68-8188	Petrol tank, 2 gallon	1
L, T, R	27.	68-8189	Petrol tank, 4 gallon	1
L, T, R	28.	82-9696	Tank badge, right-hand, 2 and 4 gallon	1
L, T, R	28.	82-9695	Tank badge, left-hand, 2 and 4 gallon	1
L, T, R	29.	82-8250	Screw, tank badge, 2 and 4 gallon ($\frac{1}{8}$ " Whitworth, 40 turns per inch)	4
L, T	30.	68-8110	Rubber pad, front, 2 gallon	1
L, T, R	30.	68-8017	Rubber pad, front, 4 gallon	1
L, T, R	31.	02-0923	Washer for bolt, line 32 ($\frac{5}{16}$ " \times $\frac{5}{8}$ " \times $\frac{1}{16}$ "	2
L, T	32.	21-5662	Bolt, tank bracket, 2 gallon ($\frac{5}{16}$ " British Standard Fine \times $\frac{5}{8}$ "	2
L, T, R	32.	21-6050*	Bolt, tank bracket, 4 gallon ($\frac{5}{16}$ " British Standard Fine \times $\frac{1}{2}$ "	2
L, T, R	33.	68-8062	Tank bracket, 4 gallon	1
T, R	34.	82-8408	Petrol pipe, 2 and 4 gallon	1
L, T, R	35.	42-8114	Knee grip bracket, left-hand, 4 gallon	1
L, T, R	35.	42-8115	Knee grip bracket, right-hand, 4 gallon	1
L, T, R	36.	24-7178	Screw, bracket, 4 gallon ($\frac{1}{4}$ " British Standard Cycle \times $\frac{7}{8}$ "	4
L, T, R	37.	40-8029	Knee grip, right-hand, 4 gallon	1
L, T, R	37.	40-8030	Knee grip, left-hand, 4 gallon	1
L		60-1991†	Tank top transfer, 2 and 4 gallon	1
T		60-2002†	Tank top transfer, 2 and 4 gallon	1
R		60-2150†	Tank top transfer, 2 and 4 gallon	1

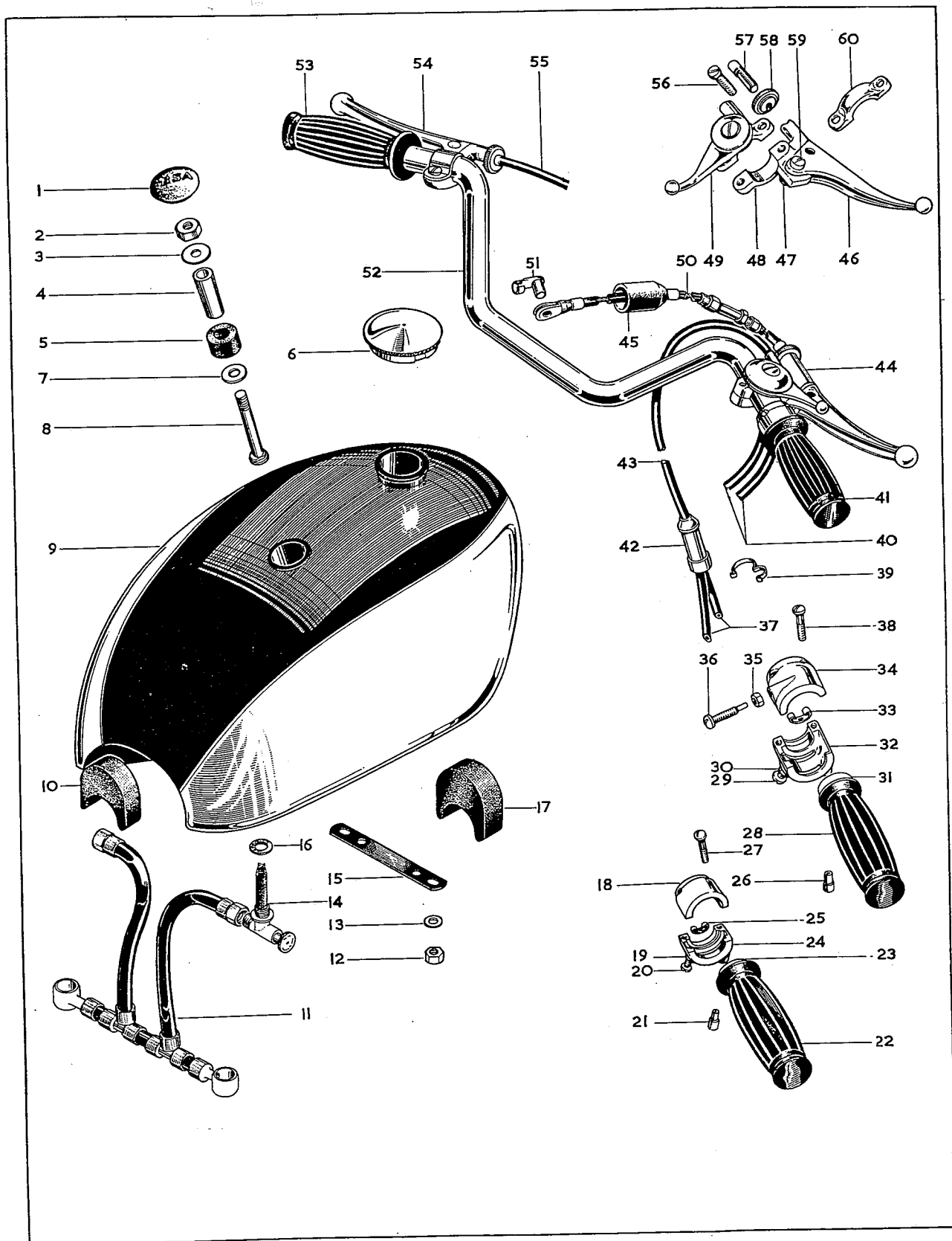
*Special material: 32.—EN15.

†Not illustrated.



British Cycle Supply Company
PETROL TANK, HANDLEBAR AND CONTROLS

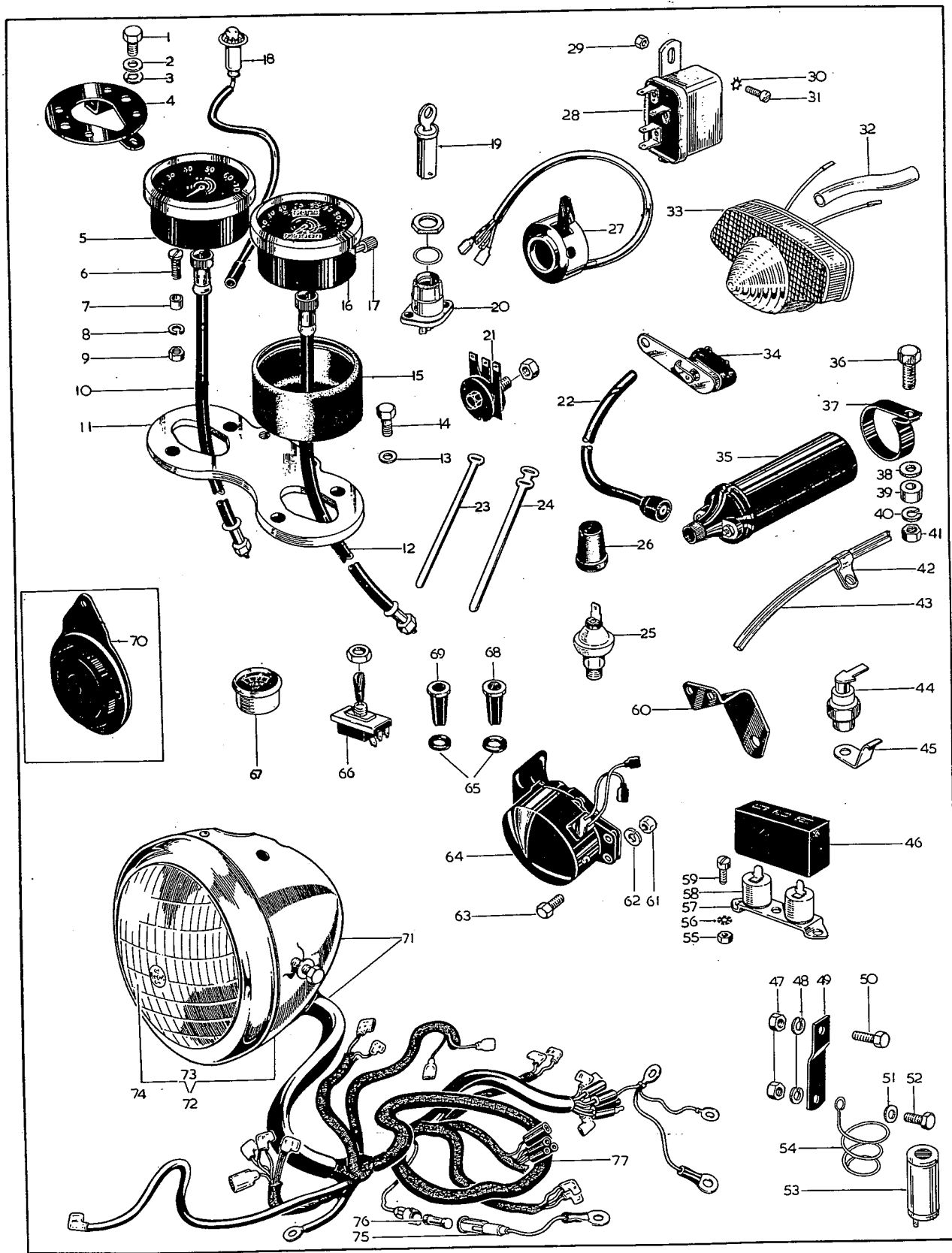
<i>Model</i>	<i>Plate Ref.</i>	<i>Spares No.</i>	<i>Description</i>	<i>Per Set</i>
		B.S.A. No.	MAKERS No.	
F	1.	42-8010	Grommet, petrol tank..	1
F	2.	68-8014	Nut, tank mounting ..	1
F	3.	02-0923	Washer, tank mounting ..	1
F	4.	83-1659	Spacer, tank mounting ..	1
F	5.	42-8017	Mounting rubber ..	1
F	6.	75-8009	Domed filler cap ..	1
F	7.	82-9008	Lower washer, tank mounting ..	1
F	8.	68-8045	Bolt, tank mounting ($\frac{5}{16}$ " British Standard Cycle)..	1
F	9.	82-9801	Petrol tank ..	1
F	10.	83-1658	Support rubber (rear) ..	1
F	11.	83-1662	Petrol pipe assembly ..	1
F	12.	75-6594	Nut, tank bracket ..	2
F	13.	02-0923	Washer, tank bracket ..	2
F	14.	83-1660	Petrol tap, drive-side ..	1
F	14.	83-1661	Petrol tap, timing-side ..	1
F	15.	41-9071	Petrol tank strap ..	1
F	16.	82-9204	Petrol tap washer ..	2
F	17.	68-8110	Support rubber (front) ..	1
T, R	18.	16/328	Twist grip body (top half) ..	1
T, R	19.	16/010	Locknut, friction spring screw ..	1
T, R	20.	16/009	Screw, friction spring ..	1
T, R	21.	16/011	Cable stop ..	1
T, R	22.	19-7222 16/365	Twist grip rubber ..	1
T, R	23.	16/091	Rotor, twist grip ..	1
T, R	24.	16/329	Twist grip body (bottom half) ..	1
T, R	25.	16/008	Friction spring, twist grip ..	1
L, F	26.	16/011	Cable stop, twist grip ..	2
T, R	27.	11/013	Body screw, twist grip ..	2
L, F	28.	19-7222 16/365	Twist grip rubber ..	1
L, F	29.	210/007	Screw, friction spring ..	1
L, F	30.	5/077	Locknut, friction spring screw ..	1
L, F	31.	313/004	Rotor, twist grip ..	1
L, F	32.	313/021	Twist grip body (bottom half) ..	1
L, F	33.	16/008	Friction spring, twist grip ..	1
L, F	34.	313/020	Twist grip body (top half) ..	1
L, F	35.	5/077	Locknut, rotor stop screw ..	1
L, F	36.	210/008	Rotor stop screw ..	1
L, F	37.	60-0826	Air control cable (short) ..	2
L, F	38.	18/084	Body screw, twist grip ..	2
L, F	39.	68-8570	Clip for junction box ..	1



PETROL TANK, HANDLEBAR AND CONTROLS

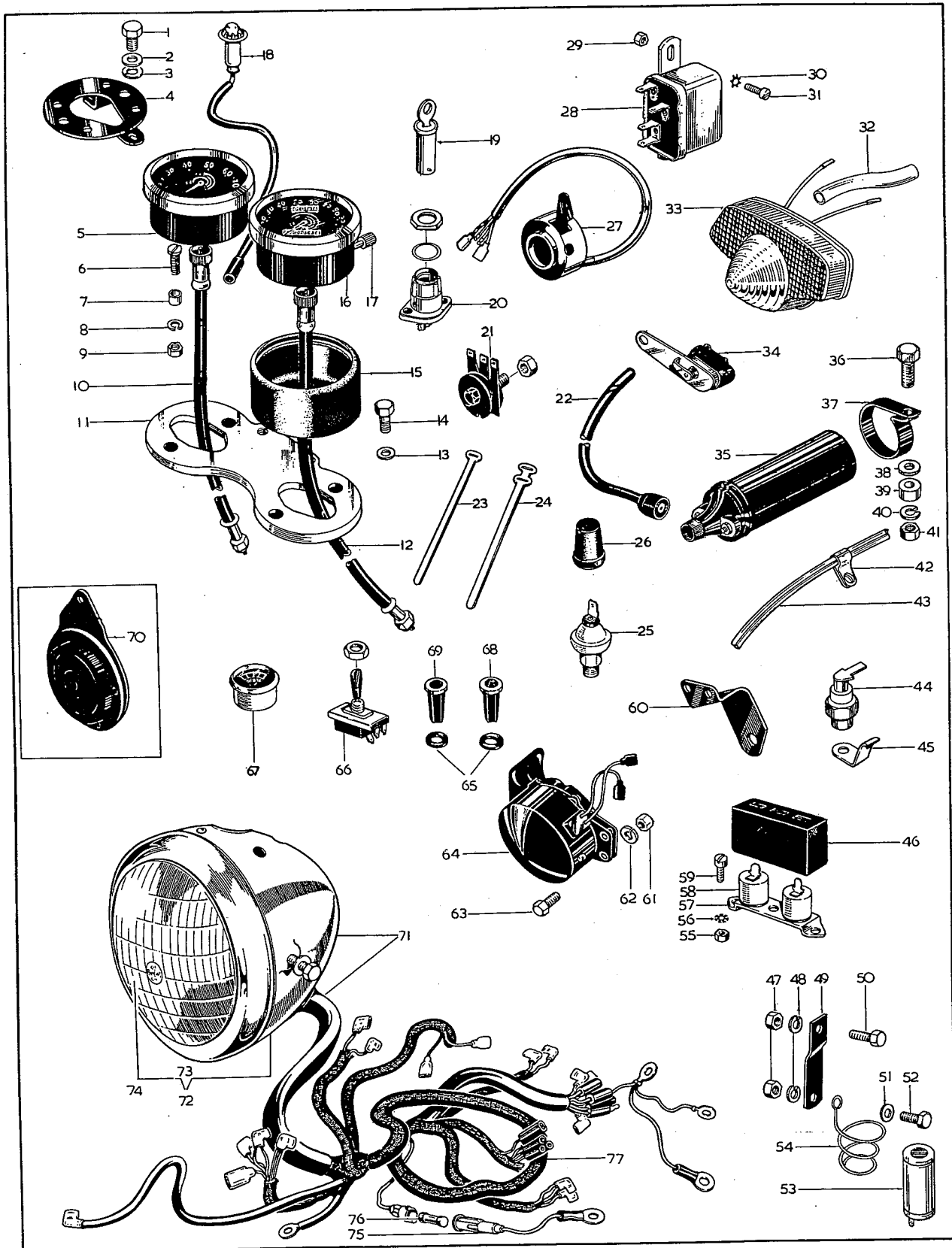
Model	Plate Ref.	Spares No.		Description	Per Set
		B.S.A. No.	MAKERS NO.		
L, F	40.	60-0813		Throttle control cable	2
T	40.	60-0804		Throttle control cable	1
R	40.	60-0807		Throttle control cable	1
L, F	41.	19-7220	313/013	Twist grip complete	1
T, R	41.	19-7223	16/364	Twist grip complete	1
L, F	42.	68-8561		Junction box, air cable	1
L, F	43.	60-0823		Air control cable (long)	1
T	43.	60-0815		Air control cable	1
R	43.	60-0818		Air control cable	1
L, T, R, F	44.	60-2241	19/978M	Brake and air control complete	1
L, T, R, F	45.	60-2086		Stop switch cover, brake cable	1
L, T, R, F	46.		18/754	Front brake lever only	1
L, T, R, F	46.		18/752	Clutch control lever only	1
L, T, R, F	47.		18/053	Fulcrum pin nut, levers	2
L, T, R, F	48.		19/001	Brake lever bracket	1
L, T, R, F	48.		19/002	Clutch lever bracket	1
L, T, R, F	49.		12/556	Air control lever	1
L, T, R, F			12/607	Air control lever bolt	1
L, T, R, F			12/606	Air control lever cap	1
L, T, R, F			12/033	Air control spring washer	1
L, T, R, F			12/619	Air control body	1
L, T, F(U.S.A.)	50.	60-2076		Front brake cable	1
L, T, R	50.	60-2077		Front brake cable	1
L, T, R, F	51.	57-2006		Brake cable spring pin	1
L, T, F(U.S.A.)	52.	42-4968		Handlebar	1
L, T, R	52.	68-4971		Handlebar	1
L, T, R, F	53.	19-7221		Rubber grip (left-hand)	1
L, T, R, F	54.	60-2242	19/952M	Clutch control complete	1
L, T, R, F	55.	60-2456		Clutch control cable	1
L, T, R, F	56.		11/014	Screw, clutch lever clip	2
L, T, R, F	56.		11/014	Screw, brake lever clip	1
L, T, R, F	56.		11/013	Screw, brake lever clip	1
L, T, R, F	57.	60-2071	18/1708	Cable adjuster (3/8" Unified Fine)	2
L, T, R, F	58.	60-2072	18/1709	Adjuster nut (3/8" Unified Fine)	2
L, T, R, F	59.		18/087	Fulcrum pin, brake and clutch levers	2
L, T, R, F	60.		12/595	Body clip, clutch lever	1

Note:—Where no B.S.A. part number is quoted, the part is only available from the makers.



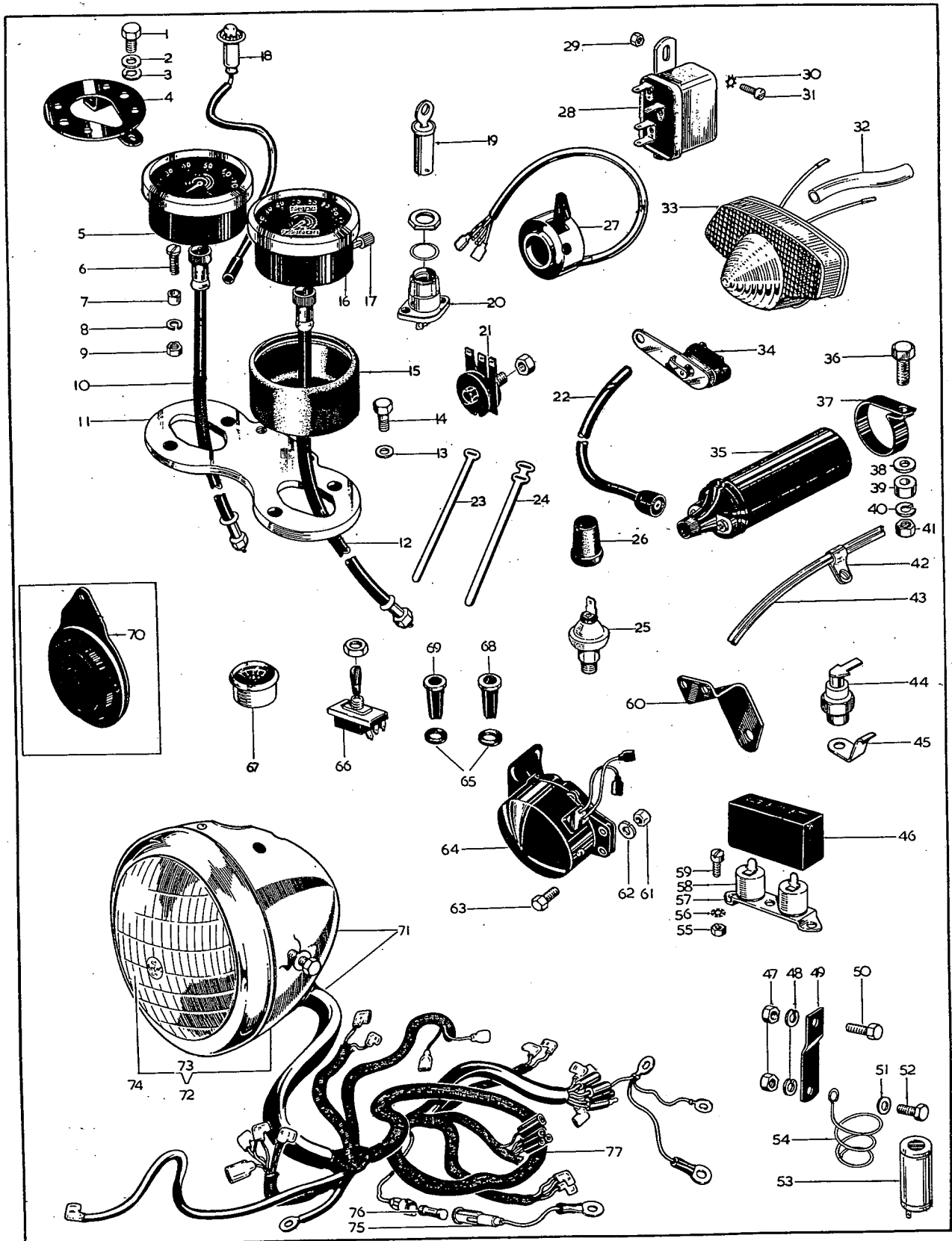
British Cycle Supply Company
ELECTRICAL EQUIPMENT

<i>Model</i>	<i>Plate Ref.</i>	<i>Spares No.</i>	<i>Description</i>	<i>Per Set</i>
		B.S.A. No.	MAKERS No.	
T, R	1.	15-7354		Bolt, speedometer mounting bracket 2
T, R	2.	02-0923		Washer, speedometer mounting bracket 2
T, R	3.	24-8784		Spring washer, speedometer mounting bracket 2
T, R	4.	82-8283		Bracket, speedometer mounting 1
L, F	5.	19-2189	RSM3003-06	Tachometer head 1
L, T, R, F	6.	76-0543		Screw, speedometer and tachometer mounting 8 or 4
L, T, R, F	7.	68-9418		Spacer, speedometer and tachometer mounting 8 or 4
L, T, R, F	8.	24-7068		Spring washer, speedometer and tachometer mounting 8 or 4
L, T, R, F	9.	02-0047		Nut, speedometer and tachometer mounting 8 or 4
L, F	10.	19-9076	DF9110-00	Tachometer cable 1
L, F	11.	68-9148		Bracket, speedometer and tachometer mounting 1
L, T, R, F	12.	19-9086	DF9110-02	Speedometer cable (66") 1
L, F	13.	15-5155		Washer, bracket to yoke 2
L, F	14.	68-5056		Bolt, bracket to yoke 2
L, T, R, F	15.	83-0281		Cup, speedometer and tachometer 2 or 1
L, T, R, F	16.	19-8936	SSM5001-05	Speedometer head (m.p.h.) 1
L, T, R, F	16.	19-2183	SSM5001-04	Speedometer head (k.p.h.) 1
L, T, R, F	17.	19-9080	41-148-203-10	Speedometer trip shaft 1
L, F	18.	19-1168	54953387	Speedometer light lead 1
T, R	18.	19-1166	54953389	Speedometer light lead 1
L, T, R, F			554710	Bulb holder, speedometer and tachometer 2 or 1
L, T, R, F			643	Bulb, speedometer and tachometer 2 or 1
L, T, R, F	19.	68-9304	1-6280	Lock and key, ignition switch 1
L, T, R, F	20.	19-1775	31899	Ignition switch complete 1
L, T, R, F	21.	19-1715	49072	Rectifier with nut 1
L, T, R, F	22.	19-1883	54956431	High-tension lead 2
(U.S.A.)				
L, T, R	22.	19-1884	54956473	High-tension lead 2
L, T, R, F	23.	75-9045		Cable clip 4
L, T, R, F	24.	76-9136		Cable clip 4
L, T, R, F	25.	19-6508	5307/1/07	Oil pressure switch 1
L, T, R, F	26.	60-2045		Oil pressure switch cover 1
L, T, R, F	27.	19-0214	16714	Dipper switch 1
L	28.	19-0953	33188	Horn relay 1
L	29.	21-5161		Nut, relay mounting 2
L	30.	29-3319		Lockwasher, relay mounting 2
L	31.	21-5359		Screw, relay mounting 1
L, T, R, F	32.	82-8307		Plastic sleeve, tail lamp lead 1
L, T, R, F	33.	19-1245	53973	Stop/tail lamp complete 1



ELECTRICAL EQUIPMENT

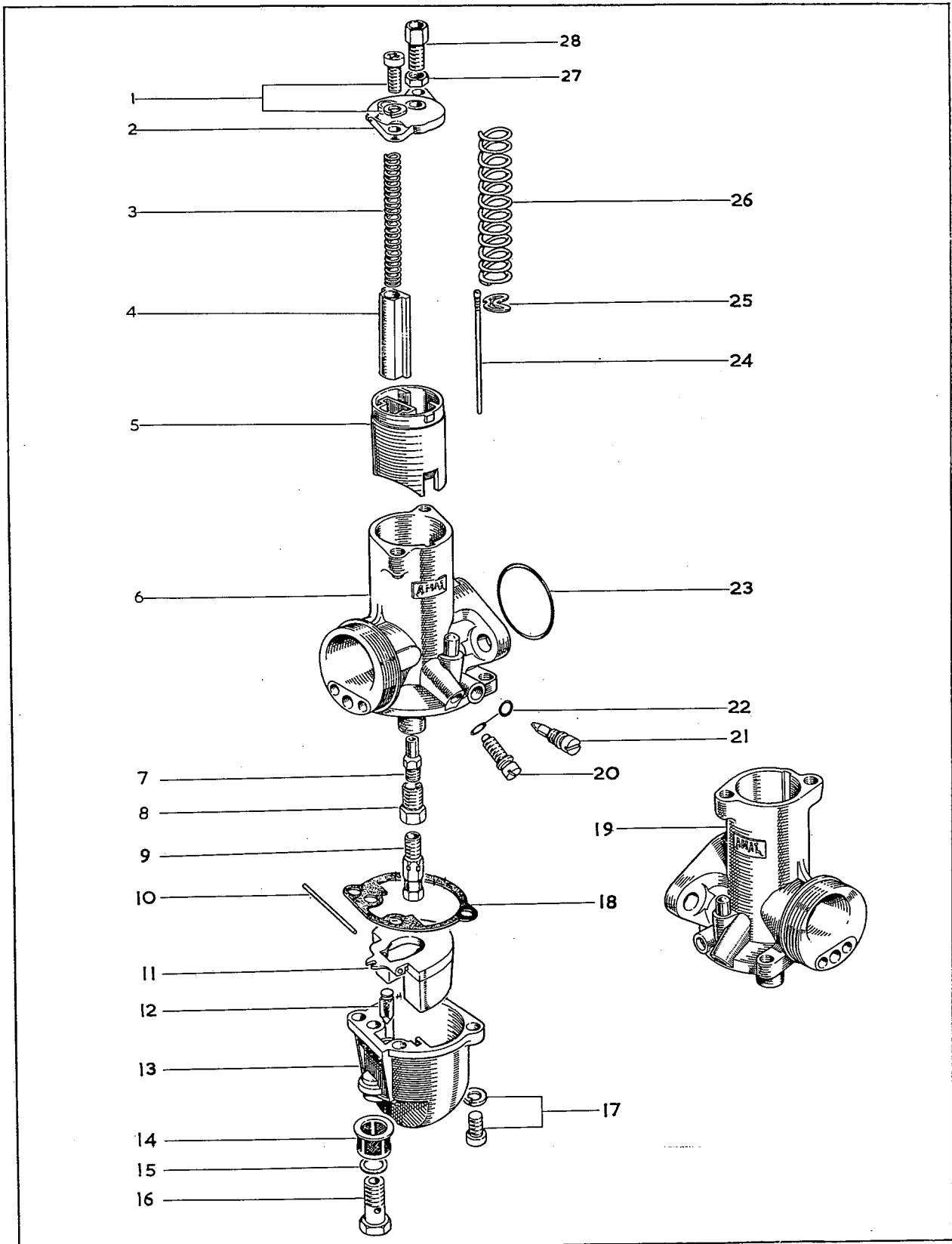
Model	Plate Ref.	Spares No.	Description	Per Set
		B.S.A. No.	MAKERS No.	
		19-1245	54577109 Lens, stop/tail lamp	1
			144921 Screw, lens fixing	1
			54578213 Bulb holder assembly	1
			573828 Interior, bulb holder	1
			54578212 Base assembly	1
			54571677 Gasket, lamp seating	1
			110714 Screw, lamp fixing	1
			188330 Washer, screw fixing	1
			380 Bulb	1
L, T, R, F		19-1845	54953386 Tail lamp lead	1
L, T, R, F	34.	19-1125	34448 Stop switch, rear brake	1
L, T, R, F	35.	19-1881	45223 Ignition coil	1
L, T, R, F	36.	14-0207	Bolt, coil clip (1/4" Unified Fine x 2")	1
L, T, R, F	37.	83-1603	Coil clip	2
L, T, R, F	38.	97-2713	Washer, coil clip	2
L, T, R, F	39.	42-8098	Spacer, coil clip	1
L, T, R, F	40.	82-9020	Spring washer, coil clip	1
L, T, R, F	41.	14-0301	Nut, coil clip (1/4" Unified Fine)	1
L, T, R, F	42.	66-8340	Clip, battery vent pipe	1
L, T, R, F	43.	68-9163	Battery vent pipe	1
L, T, R, F	44.	19-1735	49345A Zener diode	1
L, T, R, F	45.	68-9429	Diode retaining clip	1
L, T, R, F	46.	19-1848	54418528 Rubber cover, condenser pack	2
L, T, R, F	47.	14-0301	Nut, capacitor and bracket mounting—to order only	2
L, T, R, F	48.	82-9020	Spring washer for nut, line 49—to order only	1
L, T, R, F	49.	82-8277	Capacitor bracket—to order only	1
L, T, R, F	50.	14-0103	Bolt, capacitor bracket (1/4" Unified Fine x 3/4")—to order only	1
L, T, R, F	51.	02-0525	Washer, capacitor mounting—to order only	1
L, T, R, F	52.	14-0102	Bolt, capacitor mounting (1/4" Unified Fine x 5/8")—to order only	1
L, T, R, F	53.	32-8319	54170009 Capacitor—to order only	1
L, T, R, F	54.	82-8320	54483156 Spring, capacitor mounting—to order only	2
L, T, R, F	55.	02-0047	Nut, condenser base plate mounting	2
L, T, R, F	56.	29-3319	Lockwasher for nut, line 57	1
L, T, R, F	57.	19-1861	Base plate, condenser pack	2
L, T, R, F	58.	19-1847	54420128 Condenser	2
L, T, R, F	59.	40-0236	Screw, condenser base plate	1
L	60.	83-1679	Horn bracket (right-hand)	1
J	60.	83-1680	Horn bracket (left-hand)	1
L	61.	14-0301	Nut, horn mounting (1/4" Unified Fine)	4
L	62.	82-9020	Spring washer, horn mounting	4
L	63.	14-0103	Bolt, horn mounting (1/4" Unified Fine x 3/4")	4
L	64.	19-2076	SF725H Horn (right-hand)	1
L	64.	19-2077	SF725L Horn (left-hand)	1
L, T, R, F	65.		54140331 Sealing ring, headlamp warning light	2
L, T, R, F	66.	19-0964	35710 Light switch, headlamp	1
L, T, R, F	67.	19-0963	36403 Ammeter, headlamp	1



ELECTRICAL EQUIPMENT

Model	Plate Ref.	Spares No.		Description	Per Set
		B.S.A. No.	MAKERS No.		
L, T, R, F	68.	19-0965	38189	Warning light, red, oil pressure	1
L, T, R, F	69.	19-0982	38191	Warning light, green, main beam	1
F, T, R	70.	19-2064	HF80	Horn	1
L, T, R	71.	19-1309	54052889E	Headlamp with harness (standard)	1
L, T, R	71.	19-1311	54052890E	Headlamp with harness (Europe)	1
L, T, R	71.	19-1310	54052891E	Headlamp with harness (France)	1
F	71.	19-1195	54052907	Headlamp with harness (standard)	1
F	71.	19-1196	54052908	Headlamp with harness (Europe)	1
F	71.	19-1197	54052909	Headlamp with harness (France)	1
F	72.	19-1320	59965	Headlamp only (standard)	1
F	72.	19-1321	59966	Headlamp only (Europe), with 410 bulb	1
F	72.	19-1322	59966	Headlamp only (France), with 411 bulb	1
L, T, R	72.	19-1173	59969	Headlamp only (standard)	1
L, T, R	72.	19-1184	59970	Headlamp only (Europe), with 410 bulb	1
L, T, R	72.	19-1186	59970	Headlamp only (France), with 411 bulb	1
L, T, R	73.	19-0701	553248	Headlamp rim	1
F	73.	19-0610	534343	Headlamp rim	1
L, T, R	74.	19-0958	516798	Headlamp light unit (standard)	1
F	74.	19-0738	54524526	Headlamp light unit (standard)	1
L, T, R	74.	19-0959	54522680	Headlamp light unit (France and Europe)	1
L, T, R	74.	19-1043	516801	Headlamp light unit (West Germany and Italy)	1
L, T, R, F			504665	Wire fixing clip	6
L, T, R, F			144921	Rim fixing screw	1
L, T, R, F			534296	Rim fixing plate	1
L, T, R, F			281	Warning light bulb	2
L, T, R, F			54945043	Bulb holder, warning light	2
L, T, R, F			554602	Main bulb holder (standard)	1
L, T, R, F			555910	Sleeve, terminal (standard)	1
L, T, R, F			54573590	Pilot bulb holder	1
L, T, R, F			553780	Interior, pilot bulb holder	1
L, T, R, F			554354	Ring, seating pilot bulb holder	1
L, T, R, F			446	Main bulb (standard)	1
L, T, R, F			989	Pilot bulb	1
L, T, R, F			850641	Double connector	1
L, T, R, F			112201	Screw, fixing lamp	2
L, T, R, F			137498	Washer, lamp fixing screw	2
L, T, R			556442	Spring retaining main bulb (France and Europe)	1
L, T, R			553738	Adaptor, main bulb (France and Europe)	1
L, T, R			900288	Single connector (France and Europe)	1
L, T, R			410	Main bulb (Europe)	1
L, T, R			411	Main bulb (France)	1
L, T, R		19-1044	370	Main bulb (West Germany and Italy)	1
L, T, R, F	75.	19-1249	1888218	Fuse, 35 amp.	1
L, T, R, F	76.	19-0969	54190387	Fuse holder	1
L, T, R	77.	19-1312	54955258	Main harness	1
F	77.	19-1324	54955720	Main harness	1
L, T, R, F		19-1776	54027029	Battery	1

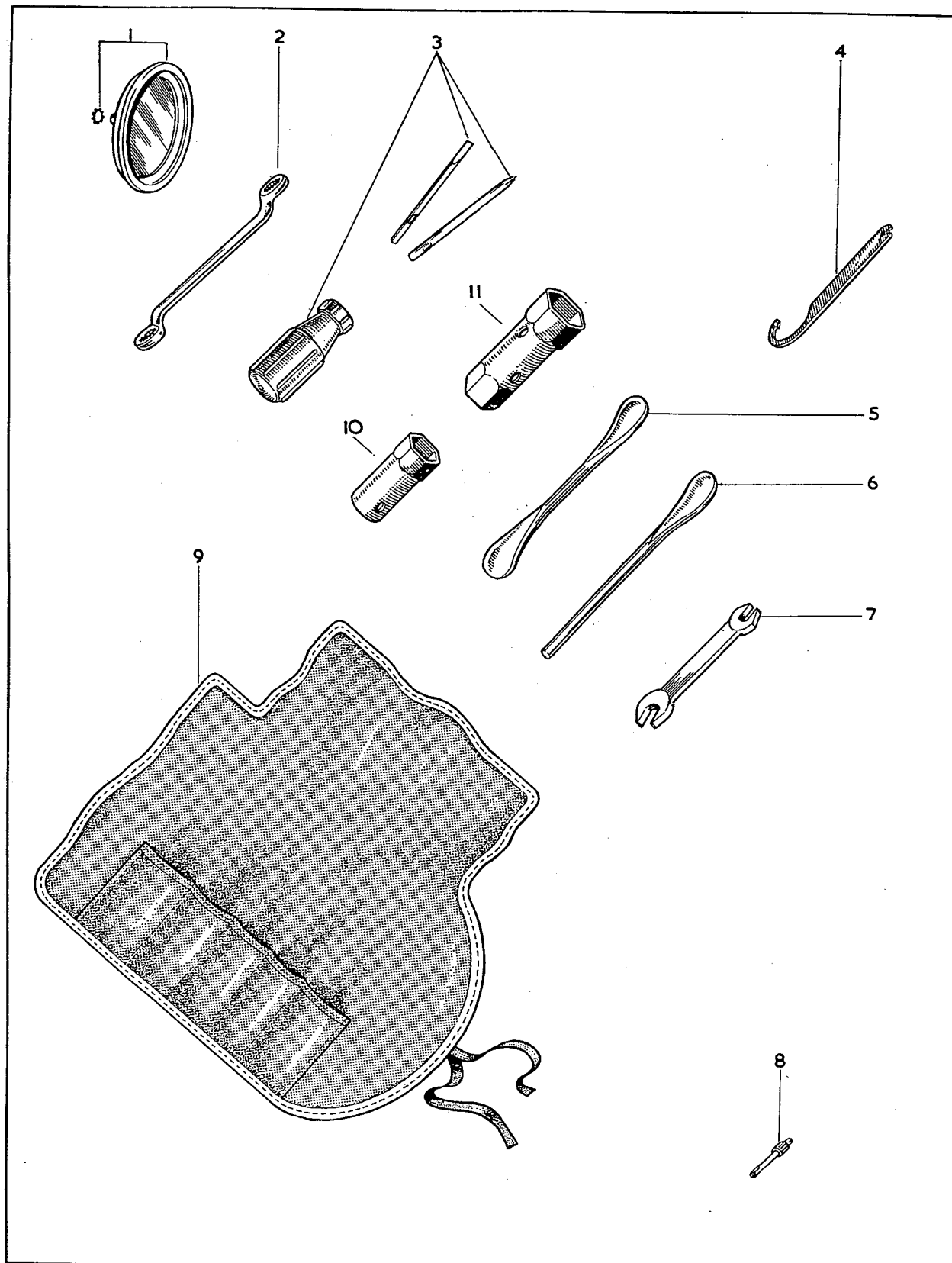
Note:—Where no B.S.A. part number is quoted, the part is only available from the makers.



CARBURETTER

Model	Plate Ref.	Spares No.		Description	Per Set
		B.S.A. No.	AMAL No.		
L, T, R, F	1.	19-3093	622/086	Screw and washer for end cap	4 or 2
L, F	2.		928/064	Mixing chamber top cap	2
T	2.		928/098	Mixing chamber top cap	1
R	2.		622/098	Mixing chamber top cap	1
L, T, R, F	3.		622/129	Air valve spring	2 or 1
L, T, F	4.	19-3109	928/062	Air valve	2 or 1
R	4.	19-3091	622/062	Air valve	1
L, F	5.	19-3108	928/060	Throttle valve size 3	2
T	5.	19-3127	928/060	Throttle valve, size 3½	1
R	5.	19-3129	622/060	Throttle valve, size 3½	1
L, F	6.		R930/005	Body (right-hand)	1
T	6.		R928/005	Body	1
R	6.		R626/005	Body	1
L, T, R, F	7.	19-3136	622/122	Needle jet, size .106"	2 or 1
L, T, R, F	8.		622/128	Jet holder	2 or 1
L, F	9.	19-2878	376/100	Main jet, size 180 c.c.	2
R	9.	19-2880	376/100	Main jet, size 200 c.c.	1
T	9.	19-2883	376/100	Main jet, size 230 c.c.	1
L, T, R, F	10.	19-3116	622/071	Float spindle	2 or 1
L, T, R, F	11.	19-3102	622/069	Float	2 or 1
L, T, R, F	12.	19-3105	622/068	Float needle	2 or 1
L, T, R, F	13.	19-3132	622/050	Float chamber	2 or 1
L, T, R, F	14.	19-3048	376/093	Petrol pipe filter	2 or 1
T, R	15.	19-2834	13/163	Banjo bolt washer	1
L, T, R, F	16.	19-3103	622/078	Banjo bolt	2 or 1
L, T, R, F	17.	19-3093	622/086	Screw and washer, float chamber	4 or 2
L, T, R, F	18.	19-3106	622/073	Float chamber gasket	2 or 1
L, F	19.		L930/005	Body (left-hand)	1
L, T, R, F	20.		622/077	Throttle stop screw	2 or 1
L, T, R, F	21.		622/076	Pilot air screw	2 or 1
L, T, R, F	22.	19-3098	622/082	"O" ring, throttle and air screws	4 or 2
L, T, R, F	23.	19-3090	622/101	"O" ring, carburetter flange	2 or 1
L, T, R, F	24.	19-3137	622/124	Throttle needle	2 or 1
L, T, R, F	25.	19-3095	622/067	Clip, throttle needle	2 or 1
L, T, R, F	26.	19-3141	622/131	Throttle spring	2 or 1
L, F	27.		5/077	Locknut, cable adjuster	2
L, F	28.		4/035	Cable adjuster	2
L, T, F			928/103	Air valve spring guide (<i>not illustrated</i>)	2 or 1
R			622/134	Air valve spring guide (<i>not illustrated</i>)	1

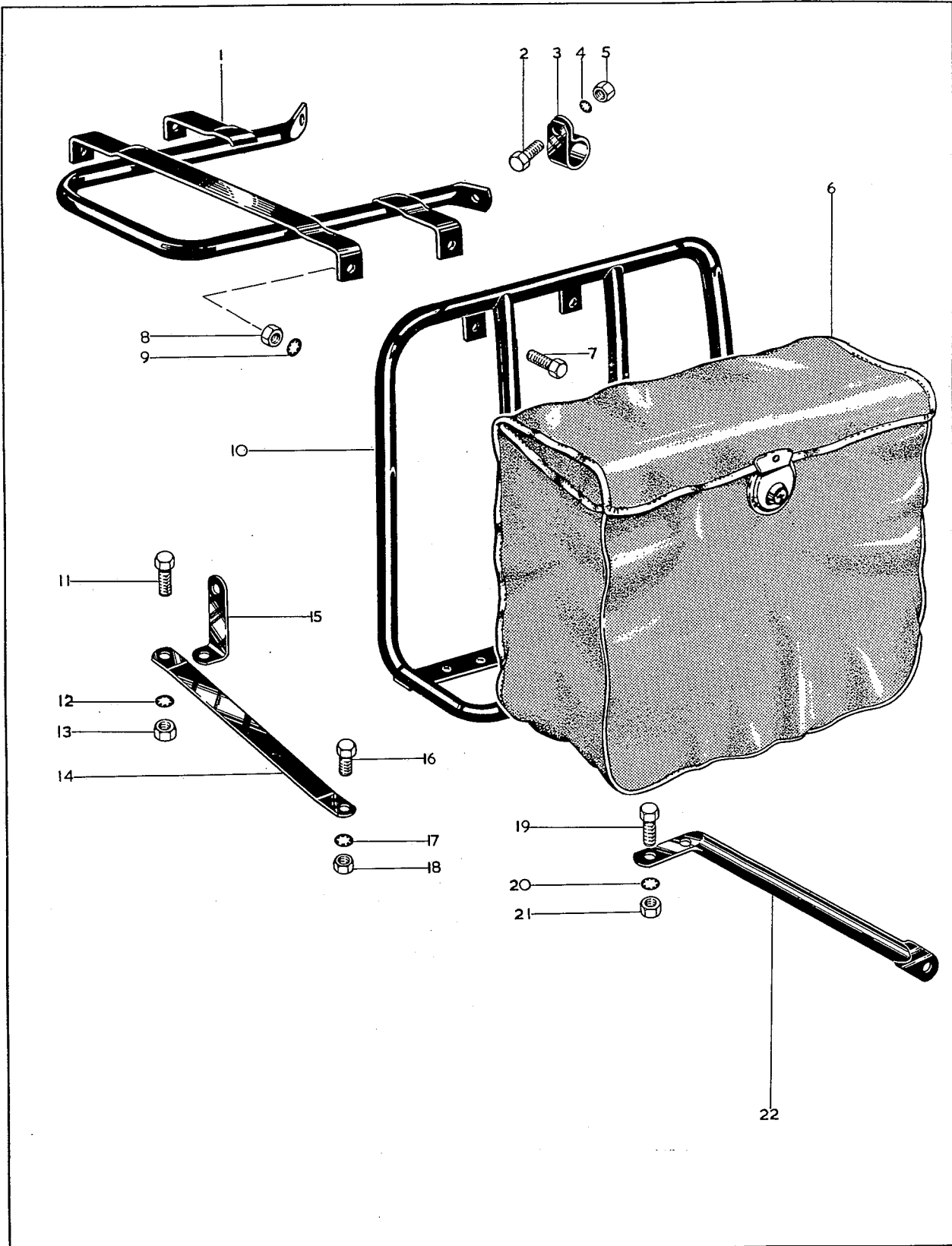
Note:—Where no B.S.A. part number is quoted, the part is only available from the makers.



TOOLKIT

<i>Model</i>	<i>Plate Ref.</i>	<i>Spares No.</i>	<i>Description</i>	<i>Per Set</i>
L, T, R	1.	19-5390*	Licence holder	1
L, T, R, F	2.	67-9026	Ring spanner	1
L, T, R, F	3.	60-0767	Screwdriver set	1
L, T, R, F	4.	68-9462	Rear damper and chain adjuster spanner	1
L, T, R, F	5.	29-9252	Tyre lever	1
L, T, R, F	6.	60-0801	Tyre lever/tommybar	1
L, T, R, F	7.	60-2084	Double-open-ended spanner	1
L, T, R, F	8.	68-9467	Tyre valve key	1
L, T, R, F	9.	68-9461	Tool roll	1
L, T, R, F	10.	68-9464	Spark plug spanner	1
L, T, R, F	11.	40-9017	Double-ended box spanner	1
L, T, R, F		60-2112	Toolkit complete	1

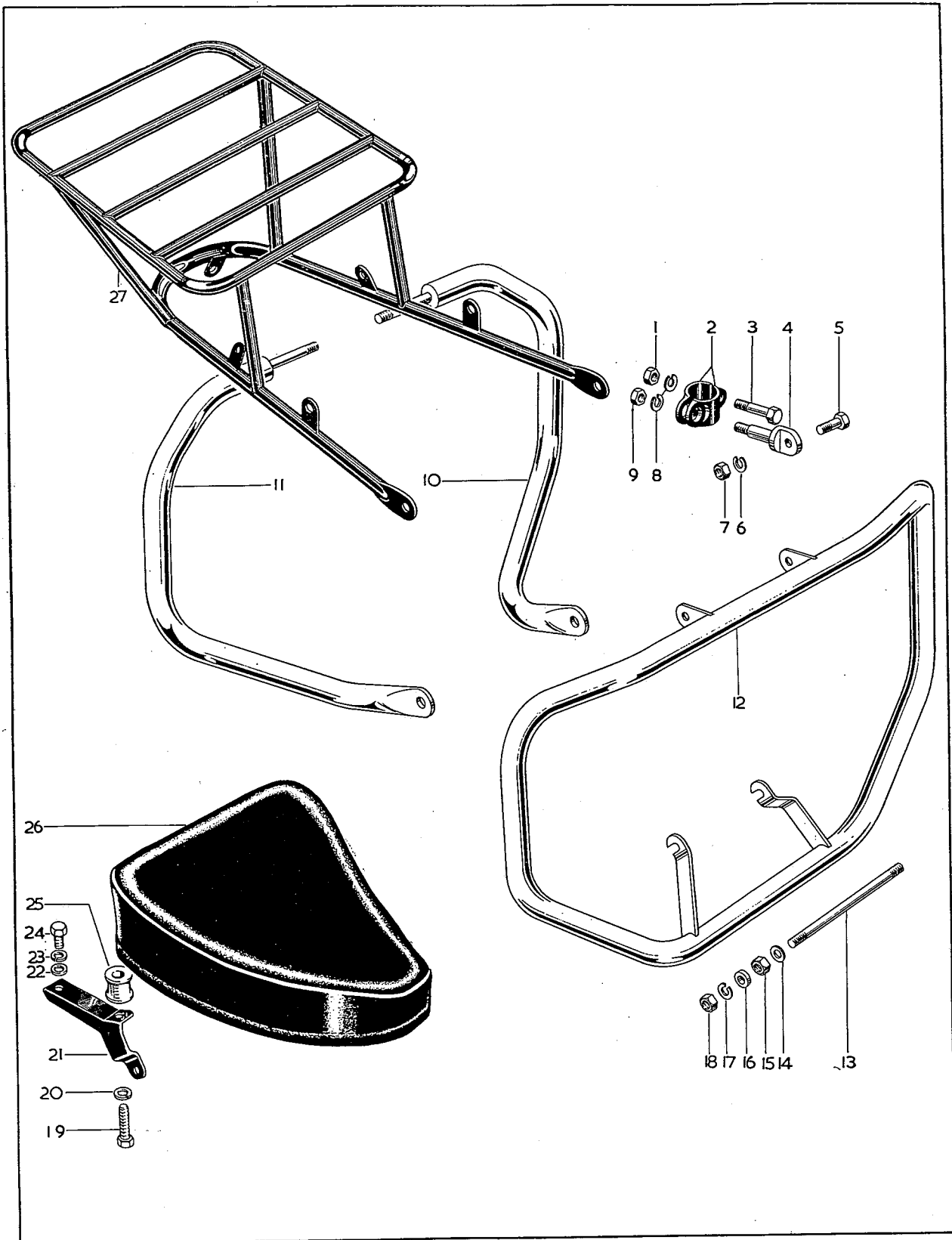
*Except U.S.A. models.



REAR CARRIER WITH PANNIERS
(TO ORDER ONLY)

<i>Model</i>	<i>Plate Ref.</i>	<i>Spares No.</i>	<i>Description</i>	<i>Per Set</i>
	1.	68-6881	Rear carrier for panniers	1
	2.	14-0114	Bolt, carrier clip ($\frac{5}{16}$ " Unified Fine $\times \frac{3}{4}$ ")	2
	3.	24-8928	Carrier clip	2
	4.	36-0382	Lockwasher for nut, line 5 ($\frac{5}{16}$ "	2
	5.	14-0302	Nut, carrier clip bolt ($\frac{5}{16}$ " Unified Fine)	2
	6.	76-9175	Pannier bag	2
	7.		Bolt, frame to carrier ($\frac{5}{16}$ " Unified Fine $\times \frac{5}{8}$ ")	4
	8.	14-0302	Nut, frame to carrier ($\frac{5}{16}$ " Unified Fine)	4
	9.	36-0382	Lockwasher for nut, line 8 ($\frac{5}{16}$ "	4
	10.	68-6913	Pannier frame (left-hand)	1
	10.	68-6914	Pannier frame (right-hand)	1
	11.	14-0102	Bolt, link to bracket ($\frac{1}{4}$ " Unified Fine $\times \frac{5}{8}$ ")	1
	12.	29-0541	Lockwasher for nut, line 13 ($\frac{1}{4}$ "	1
	13.	14-0301	Nut, link to bracket ($\frac{1}{4}$ " Unified Fine)	1
	14.	68-6885	Pannier frame link	1
	15.	90-6996	Bracket, link to guard	1
	16.	14-0101	Bolt, link to frame ($\frac{1}{4}$ " Unified Fine $\times \frac{1}{2}$ ")	2
	17.	29-0541	Lockwasher for nut, line 18 ($\frac{1}{4}$ "	2
	18.	14-0301	Nut, link to frame ($\frac{1}{4}$ " Unified Fine)	2
	19.	14-0102	Bolt, support tube to frame ($\frac{1}{4}$ " Unified Fine $\times \frac{5}{8}$ ")	4
	20.	29-0541	Lockwasher for nut, line 21 ($\frac{1}{4}$ "	4
	21.	14-0301	Nut, support tube to frame ($\frac{1}{4}$ " Unified Fine)	4
	22.	68-6919	Support tube (left-hand)	1
	22.	68-6920	Support tube (right-hand)	1
		68-6880	Pannier and carrier assembly	1

Plate 27



REAR CARRIER, SHORT SEAT, SAFETY BARS
(TO ORDER ONLY)

<i>Model</i>	<i>Plate Ref.</i>	<i>Spares No.</i>	<i>Description</i>	<i>Per Set</i>
1.	14-0303		Nut for bolt, line 3 ($\frac{3}{8}$ " Unified Fine)	2
2.	42-4906		Split lamp, front safety bar	2
3.	14-0234		Bolt, split clamp ($\frac{3}{8}$ " Unified Fine $\times 1\frac{3}{4}$ ")	2
4.	42-4904		Eye bolt, split clamp ($\frac{3}{8}$ " British Standard Cycle)	2
5.	14-0128		Bolt, safety bar to eye bolt ($\frac{3}{8}$ " Unified Fine $\times 1$ ")	2
6.	02-2903		Spring washer for nut, line 7	2
7.	14-0303		Nut for bolt, line 5 ($\frac{3}{8}$ " Unified Fine)	2
8.	02-2903		Spring washer for nut, lines 1 and 9	2
9.	02-0046		Nut for eye bolt, line 4 ($\frac{3}{8}$ " British Standard Cycle)	2
10.	68-4936		Rear safety bar (left-hand)	1
11.	68-4937		Rear safety bar (right-hand)	1
12.	68-4900		Front safety bar	1
13.	68-4905		Front engine mounting stud ($\frac{7}{16}$ " British Standard Cycle)	1
14.	15-0431		Washer, engine stud ($\frac{7}{16}$ " $\times \frac{3}{4}$ " $\times \frac{1}{16}$ ")	2
15.	27-8059		Nut, engine stud ($\frac{7}{16}$ " British Standard Cycle)	2
16.	68-4906		Spacer, engine stud	2
17.	02-1967		Spring washer, engine stud ($\frac{7}{16}$ ")	2
18.	27-8059		Nut, engine stud ($\frac{7}{16}$ " British Standard Cycle)	2
19.	15-1355		Bolt, rear bracket to seat ($\frac{5}{16}$ " British Standard Cycle $\times 1\frac{1}{2}$ ")	2
20.	24-8784		Spring washer for bolt, line 19 ($\frac{5}{16}$ ")	2
21.	68-9512		Rear bracket, left-hand, short seat	1
21.	68-9513		Rear bracket, right-hand, short seat	1
22.	02-0923		Washer for bolt, line 24 ($\frac{5}{16}$ " $\times \frac{5}{8}$ " $\times \frac{1}{16}$ ")	4
23.	24-8784		Spring washer for bolt, line 24 ($\frac{5}{16}$ ")	2
24.	28-2338		Bolt, rear bracket to guard ($\frac{5}{16}$ " British Standard Cycle $\times 23/32$ ")	2
25.	42-6763		Spacer, short seat	2
26.	83-1684		Short seat	1
27.	68-6884		Rear carrier, short seat	1
27.	68-6875		Rear carrier, twin seat	1
	68-4907		Front safety bar assembly	1
	68-4939		Rear safety bar assembly	1

British Cycle Supply Company
NUMERICAL INDEX

NUMBER	PAGE	PLATE	CODE
00-3169	.. 11	.. —	.. —
00-3170	.. 11	.. —	.. —
00-3311	.. 11	.. —	.. —
00-3312	.. 11	.. —	.. —
02-0046	.. 83	.. 27	.. 9
02-0046	.. 43	.. 12	.. 30
02-0047	.. 71	.. 23	.. 9
02-0047	.. 73	.. 23	.. 55
02-0049	.. 37	.. 10	.. 36
02-0079	.. 39	.. 11	.. 11
02-0204	.. 47	.. 14	.. 6
02-0220	.. 15	.. 2	.. 24
02-0440	.. 55	.. 18	.. 1
02-0449	.. 13	.. 1	.. 28
02-0452	.. 55	.. 18	.. 26
02-0522	.. 39	.. 11	.. 5
02-0522	.. 43	.. 12	.. 41
02-0522	.. 13	.. 1	.. 29
02-0522	.. 41	.. 11	.. 41
02-0522	.. 43	.. 12	.. 29
02-0525	.. 73	.. 23	.. 51
02-0525	.. 39	.. 11	.. 26
02-0525	.. 45	.. 13	.. 51
02-0525	.. 11	.. 1	.. 2
02-0923	.. 49	.. 15	.. 21
02-0923	.. 49	.. 15	.. 22
02-0923	.. 49	.. 15	.. 40
02-0923	.. 65	.. 21	.. 31
02-0923	.. 43	.. 12	.. 2
02-0923	.. 83	.. 27	.. 22
02-0923	.. 67	.. 22	.. 3
02-0923	.. 67	.. 22	.. 13
02-0923	.. 37	.. 10	.. 47
02-0923	.. 71	.. 23	.. 2
02-0923	.. 43	.. 12	.. 8
02-0923	.. 43	.. 12	.. 47
02-0923	.. 45	.. 13	.. 4
02-0923	.. 45	.. 13	.. 48
02-0923	.. 27	.. 7	.. 19
02-1027	.. 37	.. 10	.. 37
02-1309	.. 39	.. 11	.. 13
02-1733	.. 35	.. 10	.. 16
02-1925	.. 35	.. 10	.. 13
02-1925	.. 43	.. 12	.. 24
02-1945	.. 43	.. 12	.. 16
02-1945	.. 43	.. 12	.. 22
02-1967	.. 83	.. 27	.. 17
02-1967	.. 43	.. 12	.. 15
02-1967	.. 43	.. 12	.. 23
02-2138	.. 49	.. 15	.. 16
02-2138	.. 55	.. 18	.. 10
02-2138	.. 11	.. 1	.. 13
02-2138	.. 11	.. 1	.. 15
02-2395	.. 13	.. 1	.. 39
02-2395	.. 61	.. 20	.. 19
02-2395	.. 27	.. 7	.. 30
02-2395	.. 59	.. 19	.. 39
02-2578	.. 29	.. 8	.. 27
02-2579	.. 29	.. 8	.. 19
02-2903	.. 83	.. 27	.. 6
02-2903	.. 83	.. 27	.. 8
03-1156	.. 63	.. 21	.. 10
03-1346	.. 41	.. 11	.. 36
03-1399	.. 41	.. 11	.. 44
04-0035	.. 77	.. 24	.. 28
04-2203	.. 29	.. 8	.. 4
04-2276	.. 43	.. 12	.. 36
05-0077	.. 77	.. 24	.. 27
05-0077	.. 67	.. 22	.. 30
05-0077	.. 67	.. 22	.. 35
11-0013	.. 67	.. 22	.. 27
11-0013	.. 69	.. 22	.. 56

NUMBER	PAGE	PLATE	CODE
11-0014	.. 69	.. 22	.. 56
11-0014	.. 69	.. 22	.. 56
12-0033	.. 69	.. —	.. —
12-0556	.. 69	.. 22	.. 49
12-0595	.. 69	.. 22	.. 60
12-0606	.. 69	.. —	.. —
12-0607	.. 69	.. —	.. —
12-0619	.. 69	.. —	.. —
13-0163	.. 77	.. 24	.. 15
14-0101	.. 59	.. 19	.. 2
14-0101	.. 59	.. 19	.. 13
14-0101	.. 61	.. 20	.. 5
14-0101	.. 61	.. 20	.. 30
14-0101	.. 81	.. 26	.. 16
14-0101	.. 45	.. 13	.. 27
14-0101	.. 45	.. 13	.. 33
14-0101	.. 15	.. 2	.. 26
14-0102	.. 59	.. 19	.. 32
14-0102	.. 73	.. 23	.. 52
14-0102	.. 81	.. 26	.. 11
14-0102	.. 81	.. 26	.. 19
14-0103	.. 73	.. 23	.. 50
14-0103	.. 73	.. 23	.. 63
14-0113	.. 59	.. 19	.. 19
14-0113	.. 43	.. 12	.. 7
14-0113	.. 41	.. 11	.. 47
14-0113	.. 43	.. 12	.. 1
14-0113	.. 43	.. 12	.. 7
14-0113	.. 43	.. 12	.. 35
14-0114	.. 59	.. 19	.. 4
14-0114	.. 59	.. 19	.. 27
14-0114	.. 43	.. 12	.. 35
14-0114	.. 81	.. 26	.. 2
14-0114	.. 59	.. 19	.. 35
14-0114	.. 43	.. 12	.. 48
14-0114	.. 45	.. 13	.. 49
14-0115	.. 61	.. 20	.. 36
14-0115	.. 37	.. 10	.. 48
14-0119	.. 49	.. 15	.. 32
14-0128	.. 83	.. 27	.. 5
14-0204	.. 15	.. 2	.. 12
14-0205	.. 61	.. 20	.. 13
14-0207	.. 73	.. 23	.. 36
14-0208	.. 29	.. 8	.. 8
14-0215	.. 43	.. 12	.. 13
14-0215	.. 43	.. 12	.. 37
14-0218	.. 51	.. 16	.. 24
14-0219	.. 45	.. 13	.. 37
14-0221	.. 45	.. 13	.. 1
14-0221	.. 19	.. 4	.. 6
14-0224	.. 35	.. 10	.. 21
14-0226	.. 19	.. 4	.. 17
14-0232	.. 35	.. 10	.. 6
14-0234	.. 83	.. 27	.. 3
14-0236	.. 39	.. 11	.. 1
14-0237	.. 55	.. 18	.. 13
14-0238	.. 39	.. 11	.. 1
14-0239	.. 37	.. 10	.. 31
14-0240	.. 35	.. 10	.. 24
14-0252	.. 35	.. 10	.. 23
14-0301	.. 59	.. 19	.. 9
14-0301	.. 59	.. 19	.. 11
14-0301	.. 59	.. 19	.. 28
14-0301	.. 61	.. 20	.. 9
14-0301	.. 15	.. 2	.. 15
14-0301	.. 61	.. 20	.. 23
14-0301	.. 61	.. 20	.. 39
14-0301	.. 61	.. 20	.. 41
14-0301	.. 73	.. 23	.. 41
14-0301	.. 73	.. 23	.. 47
14-0301	.. 73	.. 23	.. 61
14-0301	.. 81	.. 26	.. 13
14-0301	.. 81	.. 26	.. 18
14-0301	.. 81	.. 26	.. 21
14-0301	.. 45	.. 13	.. 25

NUMBER	PAGE	PLATE	CODE
14-0301	.. 45	.. 13	.. 31
14-0301	.. 45	.. 13	.. 45
14-0301	.. 61	.. 20	.. 15
14-0301	.. 15	.. 2	.. 17
14-0301	.. 21	.. 5	.. 13
14-0301	.. 21	.. 5	.. 28
14-0302	.. 49	.. 15	.. 20
14-0302	.. 81	.. 26	.. 5
14-0302	.. 81	.. 26	.. 8
14-0302	.. 35	.. 10	.. 29
14-0302	.. 37	.. 10	.. 42
14-0302	.. 43	.. 12	.. 4
14-0302	.. 19	.. 4	.. 10
14-0302	.. 43	.. 12	.. 45
14-0302	.. 45	.. 13	.. 6
14-0302	.. 45	.. 13	.. 47
14-0302	.. 23	.. 6	.. 25
14-0302	.. 19	.. 4	.. 7
14-0302	.. 43	.. 12	.. 10
14-0302	.. 19	.. 4	.. 28
14-0302	.. 19	.. 4	.. 33
14-0303	.. 53	.. 17	.. 20
14-0303	.. 53	.. 17	.. 26
14-0303	.. 83	.. 27	.. 1
14-0303	.. 83	.. 27	.. 7
14-0303	.. 39	.. 11	.. 6
14-0303	.. 43	.. 12	.. 42
14-0304	.. 35	.. 10	.. 13
14-0401	.. 53	.. 17	.. 24
14-0402	.. 49	.. 15	.. 18
14-0402	.. 59	.. 19	.. 21
14-0402	.. 59	.. 19	.. 24
14-0402	.. 61	.. 20	.. 18
14-0402	.. 43	.. 12	.. 26
14-0402	.. 43	.. 12	.. 31
14-0403	.. 31	.. 9	.. 20
14-0604	.. 61	.. 20	.. 38
14-0604	.. 45	.. 13	.. 34
14-0605	.. 45	.. 13	.. 50
14-0609	.. 15	.. 2	.. 20
14-0702	.. 59	.. 19	.. 6
14-0702	.. 59	.. 19	.. 33
14-1303	.. 49	.. 15	.. 13
14-1401	.. 21	.. 5	.. 32
14-1619	.. 23	.. 6	.. 26
14-1621	.. 19	.. 4	.. 2
14-1802	.. 49	.. 15	.. 41
14-1803	.. 35	.. 10	.. 9
14-1803	.. 55	.. 18	.. 9
14-1803	.. 35	.. 10	.. 25
14-1803	.. 35	.. 10	.. 30
14-1804	.. 35	.. 10	.. 28
14-1901	.. 21	.. 5	.. 17
14-6221	.. 19	.. 4	.. 16
14-6606	.. 29	.. 8	.. 33
14-6608	.. 29	.. 8	.. 44
14-6610	.. 29	.. 8	.. 42
14-6611	.. 33	.. 9	.. 55
14-6612	.. 29	.. 8	.. 43
14-6613	.. 29	.. 8	.. 2
14-6614	.. 29	.. 8	.. 28
14-7819	.. 27	.. 7	.. 20
15-0039	.. 41	.. 11	.. 35
15-0203	.. 19	.. 4	.. 23
15-0431	.. 55	.. 18	.. 3
15-0431	.. 83	.. 27	.. 14
15-0734	.. 37	.. 10	.. 33
15-0804	.. 33	.. 9	.. 50
15-1355	.. 83	.. 27	.. 19
15-5155	.. 49	.. 15	.. 4
15-5155	.. 71	.. 23	.. 13
15-5155	.. 29	.. 8	.. 26
15-7354	.. 71	.. 23	.. 1
15-7563	.. 37	.. 10	.. 46
16-0008	.. 67	.. 22	.. 25
16-0008	.. 67	.. 22	.. 33

British Cycle Supply Company
NUMERICAL INDEX—continued

NUMBER	PAGE	PLATE	CODE
16-0009	67	22	20
16-0010	67	22	19
16-0011	67	22	21
16-0011	67	22	26
16-0091	67	22	23
16-0328	67	22	18
16-0329	67	22	24
16-0364	69	22	41
16-0365	67	22	22
16-0365	67	22	28
18-0053	69	22	47
18-0084	67	22	38
18-0087	69	22	59
18-0752	69	22	46
18-0754	69	22	46
18-1708	69	22	57
18-1709	69	22	58
19-0001	69	22	48
19-0002	69	22	48
19-0214	71	23	27
19-0610	75	23	73
19-0701	75	23	73
19-0738	75	23	74
19-0943	61	20	25
19-0953	71	23	28
19-0958	75	23	74
19-0959	75	23	74
19-0963	73	23	67
19-0964	73	23	66
19-0965	75	23	68
19-0969	75	23	76
19-0982	75	23	69
19-1035	63	21	18
19-1043	75	23	74
19-1044	75	23	—
19-1125	73	23	34
19-1166	71	23	18
19-1168	71	23	18
19-1173	75	23	72
19-1184	75	23	72
19-1186	75	23	72
19-1195	75	23	71
19-1196	75	23	71
19-1197	75	23	71
19-1245	71	23	33
19-1249	75	23	75
19-1262	19	4	1
19-1309	75	23	71
19-1310	75	23	71
19-1311	75	23	71
19-1312	75	23	77
19-1320	75	23	72
19-1321	75	23	72
19-1322	75	23	72
19-1324	75	23	77
19-1715	71	23	21
19-1735	73	23	44
19-1775	71	23	20
19-1776	75	—	—
19-1841	29	8	3
19-1842	29	8	5
19-1845	73	—	—
19-1847	73	23	58
19-1848	73	23	46
19-1849	29	8	6
19-1861	73	23	57
19-1881	73	23	35
19-1883	71	23	22
19-1884	71	23	22
19-2064	75	23	70
19-2076	73	23	64
19-2077	73	23	64
19-2183	71	23	16
19-2189	71	23	5
19-2420	5	—	—
19-2421	5	—	—

NUMBER	PAGE	PLATE	CODE
19-2422	5	—	—
19-2423	5	—	—
19-2834	77	24	15
19-2878	77	24	9
19-2880	77	24	9
19-2883	77	24	9
19-3048	77	24	14
19-3090	77	24	23
19-3091	77	24	4
19-3093	77	24	1
19-3093	77	24	17
19-3095	77	24	25
19-3098	77	24	22
19-3102	77	24	11
19-3103	77	24	16
19-3105	77	24	12
19-3106	77	24	18
19-3108	77	24	5
19-3109	77	24	4
19-3116	77	24	10
19-3127	77	24	5
19-3129	77	24	5
19-3132	77	24	13
19-3136	77	24	7
19-3137	77	24	24
19-3141	77	24	26
19-5151	6	—	—
19-5152	6	—	—
19-5153	6	—	—
19-5154	6	—	—
19-5155	6	—	—
19-5156	6	—	—
19-5157	6	—	—
19-5158	6	—	—
19-5159	6	—	—
19-5160	6	—	—
19-5161	6	—	—
19-5162	6	—	—
19-5163	6	—	—
19-5164	6	—	—
19-5165	6	—	—
19-5166	6	—	—
19-5167	6	—	—
19-5168	6	—	—
19-5169	6	—	—
19-5170	6	—	—
19-5171	6	—	—
19-5172	6	—	—
19-5173	6	—	—
19-5174	6	—	—
19-5175	6	—	—
19-5176	6	—	—
19-5177	6	—	—
19-5178	6	—	—
19-5179	6	—	—
19-5180	6	—	—
19-5181	6	—	—
19-5182	6	—	—
19-5183	6	—	—
19-5184	6	—	—
19-5185	6	—	—
19-5186	6	—	—
19-5187	6	—	—
19-5188	6	—	—
19-5189	6	—	—
19-5190	6	—	—
19-5191	6	—	—
19-5192	6	—	—
19-5193	6	—	—
19-5194	6	—	—
19-5195	6	—	—
19-5196	6	—	—
19-5197	6	—	—
19-5198	6	—	—
19-5199	6	—	—
19-5200	6	—	—
19-5305	39	11	2
19-5390	79	25	1

NUMBER	PAGE	PLATE	CODE
19-5593	47	14	2
19-6508	71	23	25
19-7220	69	22	41
19-7221	69	22	53
19-7222	67	22	22
19-7222	67	22	28
19-7223	69	22	41
19-7439	39	11	7
19-7448	39	11	3
19-7449	39	11	3
19-7450	39	11	7
19-7606	15	2	6
19-7616	15	2	6
19-7625	15	2	5
19-7717	55	18	14
19-7734	53	17	31
19-8019	19	4	38
19-8639	33	9	37
19-8681	55	18	16
19-8682	55	18	16
19-8936	71	23	16
19-9076	71	23	10
19-9080	71	23	17
19-9086	71	23	12
19-9212	57	18	40
19-9217	57	18	40
21-0779	35	10	11
21-0785	49	15	17
21-1822	59	19	8
21-1822	59	19	22
21-1848	21	5	14
21-1848	21	5	35
21-1849	19	4	11
21-1850	19	4	26
21-1852	19	4	42
21-1854	31	9	6
21-1857	19	4	22
21-1872	19	4	14
21-1879	29	8	37
21-1908	45	13	41
21-1951	33	9	53
21-1973	19	4	20
21-1992	39	11	18
21-1993	63	21	19
21-1995	53	17	22
21-1998	53	17	15
21-1999	63	21	2
21-2000	19	4	12
21-2001	19	4	13
21-2002	31	9	8
21-5102	45	13	20
21-5161	71	23	29
21-5359	71	23	31
21-5370	27	7	11
21-5375	29	8	13
21-5662	65	21	32
21-6050	65	21	32
24-0036	27	7	12
24-0563	41	11	42
24-0563	13	1	35
24-0978	27	7	29
24-0978	13	1	45
24-1088	41	11	29
24-6035	49	15	33
24-7000	57	18	33
24-7000	23	6	13
24-7068	71	23	-8
24-7178	65	21	36
24-8784	59	19	18
24-8784	63	21	11
24-8784	43	12	3
24-8784	83	27	20
24-8784	83	27	23
24-8784	35	10	22
24-8784	37	10	40
24-8784	37	10	43

NUMERICAL INDEX—continued

NUMBER	PAGE	PLATE	CODE	NUMBER	PAGE	PLATE	CODE	NUMBER	PAGE	PLATE	CODE
24-8784	71	23	3	37-2026	53	17	30	42-3192	31	9	24
24-8784	43	12	9	37-2027	53	17	19	42-3199	31	9	16
24-8784	43	12	46	37-2027	53	17	27	42-3206	33	9	34
24-8784	23	6	24	37-2059	53	17	32	42-3212	25	6	36
24-8784	19	4	8	37-2226	55	18	8	42-3213	25	6	36
24-8784	19	4	27	37-3337	53	17	6	42-3249	35	10	19
24-8784	19	4	34	37-3404	53	17	4	42-4475	35	10	18
24-8928	81	26	3	37-3404	9	—	—	42-4476	13	1	42
				37-3405	9	—	—	42-4476	15	2	38
25-5247	49	15	36	37-3405	53	—	—	42-4744	41	11	37
25-6015	39	11	24	37-3453	53	17	18	42-4745	41	11	33
				37-3454	53	17	29	42-4778	37	10	34
27-1386	23	6	9	37-3460	53	17	3	42-4793	37	10	35
27-1589	19	4	9	37-3461	9	—	—	42-4904	83	27	4
27-5135	49	15	6	37-3461	53	—	—	42-4906	83	27	2
27-5676	35	10	17	37-3462	53	17	13	42-4907	39	11	4
27-6810	57	18	49	37-3468	57	18	45	42-4926	43	12	25
27-8059	83	27	15	37-3522	53	17	17	42-4968	69	22	52
27-8059	83	27	18	37-3582	53	17	5	42-5145	51	16	7
27-8560	59	19	14					42-5812	53	17	33
27-8560	59	19	31	40-0028	23	6	1	42-5819	53	17	1
27-8560	61	20	2	40-0066	19	4	4	42-5819	53	17	7
27-8560	61	20	6	40-0069	19	4	4	42-5820	53	17	39
27-8560	61	20	12	40-0118	23	6	11	42-5836	53	17	25
27-8560	61	20	29	40-0156	11	1	7	42-5841	53	17	11
27-8560	61	20	43	40-0156	13	1	31	42-5883	39	11	23
				40-0157	13	1	30	42-6011	57	18	46
28-2080	55	18	6	40-0158	11	1	6	42-6012	57	18	48
28-2080	41	11	32	40-0158	11	1	9	42-6019	55	18	18
28-2338	83	27	24	40-0236	73	23	59	42-6036	55	18	12
				40-0241	19	4	29	42-6045	55	18	4
29-0541	21	5	29	40-0246	19	4	31	42-6335	53	17	8
29-0541	61	20	20	40-0375	33	9	47	42-6371	57	18	47
29-0541	61	20	24	40-0394	27	7	34	42-6554	29	8	18
29-0541	61	20	42	40-0414	61	20	4	42-6558	59	19	37
29-0541	39	11	12	40-0414	37	10	50	42-6763	83	27	25
29-0541	81	26	17	40-0414	37	10	61	42-8010	63	21	1
29-0541	81	26	20	40-0483	11	1	14	42-8010	67	22	1
29-0541	81	26	12	40-0705	27	7	33	42-8017	63	21	23
29-0541	15	2	19	40-0740	29	8	11	42-8017	67	22	5
29-2023	19	4	41	40-2705	37	10	60	42-8098	73	23	39
29-2089	11	1	19	40-3044	33	9	41	42-8114	65	21	35
29-3319	71	23	30	40-3051	21	5	2	42-8115	65	21	35
29-3319	73	23	56	40-3073	29	8	16				
29-3319	39	11	14	40-3084	29	8	22	47-5064	51	16	5
29-3319	33	9	40	40-3085	29	8	23	47-5065	51	16	4
29-5839	43	12	14	40-3121	21	5	3	47-9012	41	11	30
29-7565	43	12	39	40-3150	17	3	22				
29-8740	37	10	55	40-3226	13	1	44	54-0055	59	19	5
29-9252	79	25	5	40-3323	27	7	43	54-0055	59	19	34
				40-4818	43	12	18	54-4307	49	15	11
31-0222	61	20	22	40-4908	55	18	11	54-5504	59	19	7
				40-4909	39	11	4	54-5504	59	19	23
35-6436	55	18	15	40-5069	51	16	26	54-8003	51	16	23
				40-6910	41	11	44	54-8003	45	13	40
36-0382	49	15	19	40-8029	65	21	37	54-9012	61	20	31
36-0382	59	19	26	40-8030	65	21	37				
36-0382	61	20	17	40-8046	47	14	12	57-0280	53	17	40
36-0382	81	26	4	40-8046	47	14	12	57-0448	23	6	15
36-0382	81	26	9	40-9017	79	25	11	57-1363	31	9	25
36-0382	41	11	48					57-1712	29	8	36
36-0382	43	12	27	41-0673	17	3	4	57-1719	31	9	29
36-0382	43	12	37	41-6019	57	18	41	57-2006	69	22	51
36-0382	45	13	5	41-6021	57	18	39	57-2630	27	7	42
				41-7808	47	14	6	57-2646	29	8	20
37-1197	53	17	34	41-9071	67	22	15	57-2652	29	8	25
37-1198	53	17	34					57-2759	29	8	21
37-1230	53	17	37	42-0157	21	5	11	57-2764	29	8	25
37-1328	53	17	38	42-0158	21	5	10	57-2773	33	9	32
37-1481	53	17	2	42-0166	27	7	10	57-3621	23	6	22
37-1708	53	17	36	42-2848	15	2	16	57-3673	29	8	29
37-1709	53	17	35	42-2860	45	13	23	57-3745	19	4	24
37-1991	53	17	16	42-3075	23	6	27	57-3762	29	8	40
37-1996	53	17	10	42-3079	23	6	28	57-3929	33	9	35
37-2001	53	17	9	42-3079	25	6	36	57-3931	33	9	36
37-2003	53	17	28	42-3183	33	9	30	57-4008	27	7	18
37-2005	53	17	23	42-3183	33	9	45	57-4009	27	7	17
37-2026	53	17	12	42-3189	33	9	31	57-4023	23	6	20

British Cycle Supply Company
NUMERICAL INDEX—continued

NUMBER	PAGE	PLATE	CODE
57-4025	23	6	20
57-4026	27	7	1
57-4028	27	7	21
57-4036	29	8	38
57-4037	29	8	30
57-4038	29	8	32
57-4049	29	—	—
60-0767	79	25	3
60-0801	79	25	6
60-0804	69	22	40
60-0807	69	22	40
60-0813	69	22	40
60-0815	69	22	43
60-0818	69	22	43
60-0823	69	22	43
60-0826	67	22	37
60-1991	65	—	—
60-2002	65	—	—
60-2045	71	23	26
60-2071	69	22	57
60-2072	69	22	58
60-2076	69	22	50
60-2077	69	22	50
60-2084	79	25	7
60-2086	69	22	45
60-2112	79	—	—
60-2150	65	—	—
60-2241	69	22	44
60-2242	69	22	54
60-2371	47	14	15
60-2372	47	14	15
60-2373	47	14	15
60-2374	47	14	15
60-2375	47	14	15
60-2456	69	22	55
60-2683	53	17	21
60-2683	41	11	27
60-2684	13	1	41
60-2701	29	8	35
60-2720	49	15	38
60-2721	27	7	40
60-2722	41	11	34
62-0263	11	1	21
64-6016	49	15	23
65-0440	17	3	30
65-1417	13	1	50
65-1417	15	2	36
65-2045	55	18	22
65-2240	55	18	20
65-2593	29	8	39
65-4917	43	12	28
65-5111	57	18	32
65-5126	49	15	7
65-5127	49	15	9
65-5328	49	15	37
65-5332	49	15	27
65-5333	49	15	5
65-5380	49	15	34
65-5446	49	15	30
65-5883	57	18	36
65-5883	57	18	54
65-5884	57	18	53
65-5886	57	18	38
65-5887	57	18	37
65-5904	57	18	30
65-5940	55	18	29
65-6274	41	11	46
66-0102	15	2	7
66-0954	17	3	29
66-3074	27	7	37
66-3074	33	9	52
66-4149	35	10	5
66-4708	55	18	2
66-4708	35	10	12

NUMBER	PAGE	PLATE	CODE
66-5204	49	15	24
66-7518	33	9	46
66-8340	73	23	42
67-0042	45	13	16
67-0283	11	1	11
67-0298	17	3	27
67-0338	23	6	10
67-0339	17	3	23
67-0643	17	3	19
67-0644	17	3	20
67-0645	17	3	21
67-0674	17	3	6
67-0685	23	6	12
67-0793	17	3	16
67-1286	21	5	30
67-1288	21	5	31
67-1404	21	5	37
67-1406	21	5	25
67-1430	17	3	25
67-1431	17	3	25
67-1432	17	3	25
67-1433	17	3	25
67-1536	17	3	3
67-3028	23	6	23
67-3093	25	6	30
67-3161	27	7	3
67-3162	27	7	4
67-3163	27	7	9
67-3169	27	7	6
67-6027	57	18	52
67-6038	55	18	17
67-6051	57	18	51
67-6839	61	20	35
67-9026	79	25	2
68-0018	13	1	43
68-0018	15	2	39
68-0022	25	6	46
68-0024	25	6	44
68-0025	23	6	5
68-0025	23	6	8
68-0027	25	6	45
68-0030	23	6	21
68-0034	25	6	37
68-0050	17	3	18
68-0067	13	1	46
68-0071	13	1	49
68-0079	11	1	16
68-0081	13	1	26
68-0087	11	1	3
68-0098	27	7	48
68-0101	27	7	49
68-0103	23	6	4
68-0130	23	6	2
68-0131	25	6	47
68-0132	23	6	3
68-0137	11	1	1
68-0138	13	1	38
68-0143	13	1	40
68-0147	11	1	8
68-0149	11	1	10
68-0151	13	1	33
68-0153	13	1	32
68-0155	13	1	34
68-0163	15	2	32
68-0184	17	3	9
68-0185	17	3	10
68-0192	11	1	5
68-0205	19	4	3
68-0209	19	4	36
68-0213	27	7	28
68-0223	13	1	47
68-0224	13	1	47
68-0235	19	4	32
68-0236	19	4	30
68-0237	31	9	14
68-0249	31	9	11

NUMBER	PAGE	PLATE	CODE
68-0256	4	—	—
68-0256	17	3	33
68-0257	4	—	—
68-0258	4	—	—
68-0259	4	—	—
68-0259	17	3	32
68-0260	4	—	—
68-0261	4	—	—
68-0263	17	3	30
68-0289	21	5	16
68-0296	4	—	—
68-0296	17	3	33
68-0297	4	—	—
68-0298	4	—	—
68-0299	4	—	—
68-0299	17	3	32
68-0300	4	—	—
68-0301	4	—	—
68-0310	21	5	12
68-0324	19	4	40
68-0325	19	4	39
68-0331	29	8	7
68-0337	11	1	12
68-0337	13	1	27
68-0344	11	1	4
68-0353	21	5	27
68-0354	4	—	—
68-0354	17	3	1
68-0355	4	—	—
68-0356	4	—	—
68-0357	4	—	—
68-0357	17	3	1
68-0358	4	—	—
68-0359	4	—	—
68-0360	33	9	38
68-0362	15	2	31
68-0365	15	2	30
68-0367	15	2	33
68-0370	15	2	30
68-0372	15	2	33
68-0375	33	9	49
68-0376	31	9	9
68-0377	31	9	15
68-0383	33	9	48
68-0434	4	—	—
68-0434	17	3	31
68-0436	4	—	—
68-0438	4	—	—
68-0473	23	6	4
68-0560	21	5	33
68-0580	17	3	13
68-0581	17	3	28
68-0585	27	7	14
68-0586	21	5	9
68-0588	19	4	19
68-0588	21	5	8
68-0589	27	7	15
68-0610	45	13	18
68-0625	17	3	7
68-0633	17	3	5
68-0634	17	3	5
68-0635	17	3	5
68-0638	17	3	8
68-0647	17	3	24
68-0648	17	3	24
68-0657	17	3	24
68-0661	15	2	40
68-0662	15	2	8
68-0663	15	2	8
68-0665	15	2	40
68-0680	17	3	11
68-0685	17	3	17
68-0688	19	4	5
68-0734	17	3	15
68-0737	9	—	—
68-0809	15	2	41
68-0819	4	—	—
68-0820	4	—	—

British Cycle Supply Company
NUMERICAL INDEX—continued

NUMBER	PAGE	PLATE	CODE
68-0821	.. 4	.. —	.. —
68-0827	.. 15	.. 2	.. 35
68-0828	.. 15	.. 2	.. 35
68-0830	.. 13	.. 1	.. 37
68-0840	.. 33	.. 9	.. 56
68-0841	.. 31	.. 9	.. 3
68-0844	.. 13	.. 1	.. 48
68-0861	.. 31	.. 9	.. 13
68-0865	.. 27	.. 7	.. 35
68-0876	.. 11	.. 1	.. 3
68-0879	.. 11	.. 1	.. 25
68-0881	.. 13	.. 1	.. 48
68-0906	.. 4	.. —	.. —
68-0906	.. 17	.. 3	.. 31
68-0908	.. 4	.. —	.. —
68-0910	.. 4	.. —	.. —
68-0923	.. 11	.. 1	.. 22
68-0924	.. 11	.. 1	.. 22
68-0925	.. 11	.. 1	.. 20
68-0927	.. 11	.. 1	.. 20
68-0930	.. 15	.. 2	.. 4
68-0931	.. 15	.. 2	.. 42
68-0936	.. 21	.. 5	.. 22
68-0937	.. 21	.. 5	.. 23
68-0938	.. 21	.. 5	.. 18
68-0939	.. 21	.. 5	.. 36
68-0942	.. 19	.. 4	.. 21
68-0982	.. 27	.. 7	.. 13
68-2001	.. 35	.. 10	.. 15
68-2004	.. 35	.. 10	.. 14
68-2732	.. 45	.. 13	.. 28
68-2780	.. 45	.. 13	.. 26
68-2781	.. 45	.. 13	.. 26
68-2789	.. 15	.. 2	.. 18
68-2791	.. 15	.. 2	.. 22
68-2794	.. 15	.. 2	.. 21
68-3005	.. 27	.. 7	.. 32
68-3015	.. 25	.. 6	.. 34
68-3015	.. 25	.. 6	.. 41
68-3019	.. 25	.. 6	.. 38
68-3021	.. 23	.. 6	.. 19
68-3021	.. 25	.. 6	.. 32
68-3027	.. 25	.. 6	.. 39
68-3036	.. 27	.. 7	.. 45
68-3045	.. 27	.. 7	.. 2
68-3049	.. 27	.. 7	.. 31
68-3053	.. 27	.. 7	.. 25
68-3054	.. 27	.. 7	.. 24
68-3055	.. 27	.. 7	.. 26
68-3056	.. 27	.. 7	.. 7
68-3058	.. 27	.. 7	.. 23
68-3072	.. 21	.. 5	.. 4
68-3073	.. 21	.. 5	.. 4
68-3076	.. 27	.. 7	.. 39
68-3078	.. 21	.. 5	.. 4
68-3089	.. 21	.. 5	.. 4
68-3093	.. 21	.. 5	.. 4
68-3093	.. 21	.. 5	.. 4
68-3095	.. 27	.. 7	.. 5
68-3096	.. 27	.. 7	.. 38
68-3100	.. 25	.. 6	.. 42
68-3107	.. 25	.. 6	.. 34
68-3114	.. 23	.. 6	.. 18
68-3115	.. 23	.. 6	.. 17
68-3118	.. 27	.. 7	.. 22
68-3120	.. 23	.. 6	.. 18
68-3120	.. 25	.. 6	.. 31
68-3127	.. —	.. —	.. 40
68-3128	.. 25	.. 6	.. 29
68-3150	.. 25	.. 6	.. 40
68-3151	.. 25	.. 6	.. 29
68-3158	.. 27	.. 7	.. 47
68-3160	.. 27	.. 7	.. 46
68-3168	.. 19	.. 4	.. 18
68-3169	.. 31	.. 9	.. 23
68-3178	.. 23	.. 6	.. 16
68-3180	.. 27	.. 7	.. 44
68-3181	.. 25	.. 6	.. 31

NUMBER	PAGE	PLATE	CODE
68-3182	.. 25	.. 6	.. 41
68-3194	.. 21	.. 5	.. 1
68-3218	.. 33	.. 9	.. 33
68-3229	.. 25	.. 6	.. 43
68-3264	.. 29	.. 8	.. 41
68-3270	.. 9	.. —	.. —
68-3270	.. 33	.. —	.. —
68-3276	.. 33	.. 9	.. 43
68-3280	.. 33	.. 9	.. 42
68-3281	.. 31	.. 9	.. 27
68-3282	.. 31	.. 9	.. 28
68-3283	.. 31	.. 9	.. 26
68-3287	.. 31	.. 9	.. 18
68-3294	.. 27	.. 7	.. 41
68-3299	.. 25	.. 6	.. 35
68-3301	.. 27	.. 7	.. 8
68-3303	.. 25	.. 6	.. 33
68-3305	.. 31	.. 9	.. 21
68-3308	.. 31	.. 9	.. 19
68-3320	.. 31	.. 9	.. 22
68-3321	.. 31	.. 9	.. 17
68-4080	.. 35	.. 10	.. 27
68-4088	.. 35	.. 10	.. 11
68-4090	.. 35	.. 10	.. 7
68-4095	.. 35	.. 10	.. 39
68-4096	.. 35	.. 10	.. 38
68-4150	.. 41	.. 11	.. 43
68-4235	.. 41	.. 11	.. 40
68-4260	.. 35	.. 10	.. 20
68-4286	.. 39	.. 11	.. 4
68-4560	.. 37	.. 10	.. 54
68-4560	.. 37	.. 10	.. 56
68-4577	.. 35	.. 10	.. 2
68-4578	.. 37	.. 10	.. 45
68-4595	.. 37	.. 10	.. 58
68-4597	.. 35	.. 10	.. 3
68-4635	.. 47	.. 14	.. 1
68-4708	.. 41	.. 11	.. 31
68-4729	.. 41	.. 11	.. 38
68-4802	.. 43	.. 12	.. 40
68-4803	.. 43	.. 12	.. 43
68-4804	.. 43	.. 12	.. 17
68-4805	.. 43	.. 12	.. 21
68-4808	.. 43	.. 12	.. 19
68-4809	.. 43	.. 12	.. 20
68-4828	.. 43	.. 12	.. 38
68-4835	.. 43	.. 12	.. 33
68-4900	.. 83	.. 27	.. 12
68-4905	.. 83	.. 27	.. 13
68-4906	.. 35	.. 10	.. 10
68-4906	.. 83	.. 27	.. 16
68-4907	.. 83	.. —	.. —
68-4936	.. 83	.. 27	.. 10
68-4937	.. 83	.. 27	.. 11
68-4939	.. 83	.. —	.. —
68-4971	.. 69	.. 22	.. 52
68-5050	.. 49	.. 15	.. 1
68-5056	.. 49	.. 15	.. 3
68-5056	.. 71	.. 23	.. 14
68-5104	.. 51	.. 16	.. 2
68-5108	.. 51	.. 16	.. 1
68-5129	.. 49	.. 15	.. 25
68-5137	.. 49	.. 15	.. 26
68-5185	.. 49	.. 15	.. 35
68-6081	.. 57	.. 18	.. 55
68-6088	.. 55	.. 18	.. 24
68-6092	.. 55	.. 18	.. 27
68-6095	.. 55	.. 18	.. 28
68-6100	.. 57	.. 18	.. 35
68-6110	.. 57	.. 18	.. 42
68-6114	.. 57	.. 18	.. 50
68-6114	.. 9	.. —	.. —
68-6116	.. 55	.. 18	.. 23
68-6120	.. 57	.. 18	.. 44
68-6121	.. 55	.. 18	.. 19
68-6130	.. 55	.. 18	.. 7
68-6131	.. 55	.. 18	.. 21
68-6132	.. 57	.. 18	.. 34

NUMBER	PAGE	PLATE	CODE
68-6133	.. 57	.. 18	.. 31
68-6134	.. 55	.. 18	.. 5
68-6135	.. 55	.. 18	.. 25
68-6142	.. 57	.. 18	.. 43
68-6145	.. 9	.. —	.. —
68-6145	.. 57	.. —	.. —
68-6524	.. 59	.. 19	.. 36
68-6535	.. 59	.. 19	.. 16
68-6536	.. 59	.. 19	.. 16
68-6539	.. 59	.. 19	.. 16
68-6548	.. 59	.. 19	.. 20
68-6549	.. 59	.. 19	.. 20
68-6767	.. 61	.. 20	.. 7
68-6768	.. 61	.. 20	.. 16
68-6802	.. 43	.. 12	.. 34
68-6803	.. 43	.. 12	.. 6
68-6834	.. 61	.. 20	.. 28
68-6835	.. 61	.. 20	.. 32
68-6837	.. 61	.. 20	.. 37
68-6856	.. 61	.. 20	.. 8
68-6857	.. 61	.. 20	.. 8
68-6875	.. 83	.. 27	.. 27
68-6880	.. 81	.. —	.. —
68-6881	.. 81	.. 26	.. 1
68-6884	.. 83	.. 27	.. 27
68-6885	.. 81	.. 26	.. 14
68-6906	.. 61	.. 20	.. 11
68-6906	.. 39	.. 11	.. 4
68-6913	.. 81	.. 26	.. 10
68-6914	.. 81	.. 26	.. 10
68-6919	.. 81	.. 26	.. 22
68-6920	.. 81	.. 26	.. 22
68-7017	.. 39	.. 11	.. 16
68-7050	.. 39	.. 11	.. 17
68-7052	.. 39	.. 11	.. 15
68-7055	.. 39	.. 11	.. 9
68-7062	.. 39	.. 11	.. 8
68-7723	.. 61	.. 20	.. 1
68-8011	.. 63	.. 21	.. 19
68-8012	.. 63	.. 21	.. 4
68-8013	.. 63	.. 21	.. 20
68-8014	.. 63	.. 21	.. 2
68-8014	.. 67	.. 22	.. 2
68-8016	.. 63	.. 21	.. 3
68-8017	.. 65	.. 21	.. 30
68-8018	.. 63	.. 21	.. 13
68-8019	.. 63	.. 21	.. 21
68-8024	.. 63	.. 21	.. 15
68-8035	.. 63	.. 21	.. 22
68-8038	.. 65	.. 21	.. 26
68-8039	.. 63	.. 21	.. 6
68-8045	.. 67	.. 22	.. 8
68-8054	.. 63	.. 21	.. 17
68-8062	.. 65	.. 21	.. 33
68-8110	.. 67	.. 22	.. 17
68-8110	.. 65	.. 21	.. 30
68-8158	.. 65	.. 21	.. 26
68-8159	.. 63	.. 21	.. 6
68-8174	.. 63	.. 21	.. 4
68-8176	.. 63	.. 21	.. 14
68-8188	.. 65	.. 21	.. 27
68-8189	.. 65	.. 21	.. 27
68-8190	.. 63	.. 21	.. 24
68-8191	.. 65	.. 21	.. 25
68-8315	.. 37	.. 10	.. 41
68-8317	.. 45	.. 13	.. 2
68-8328	.. 45	.. 13	.. 19
68-8334	.. 45	.. 13	.. 3
68-8343	.. 45	.. 13	.. 14
68-8343	.. 45	.. 13	.. 10
68-8368	.. 45	.. 13	.. 10
68-8378	.. 45	.. 13	.. 9
68-8382	.. 45	.. 13	.. 12
68-8382	.. 45	.. 13	.. 15
68-8383	.. 45	.. 13	.. 11
68-8561	.. 69	.. 22	.. 42
68-8570	.. 67	.. 22	.. 39
68-9115	.. 37	.. 10	.. 51

British Cycle Supply Company
NUMERICAL INDEX—continued

NUMBER	PAGE	PLATE	CODE
68-9115	47	14	9
68-9115	45	13	7
68-9131	45	13	30
68-9134	45	13	29
68-9148	71	23	11
68-9163	73	23	43
68-9223	47	14	16
68-9226	47	14	11
68-9227	47	14	13
68-9251	37	10	49
68-9287	47	14	14
68-9290	47	14	5
68-9298	47	14	5
68-9304	71	23	19
68-9327	43	12	5
68-9330	61	21	12
68-9337	45	13	8
68-9337	37	10	57
68-9337	47	14	8
68-9340	47	14	10
68-9343	47	14	3
68-9418	71	23	7
68-9428	49	15	39
68-9429	73	23	45
68-9461	79	25	9
68-9462	79	25	4
68-9464	79	25	10
68-9467	79	25	8
68-9512	83	27	21
68-9513	83	27	21
70-4594	45	13	13
70-5874	45	13	39
70-7793	31	9	12
70-7821	13	1	51
70-7821	15	2	37
70-7844	19	4	35
70-7853	29	8	1
70-7854	33	9	51
70-7878	19	4	37
70-8213	11	1	23
70-8214	11	1	24
70-8310	31	9	10
70-8319	13	1	36
70-8782	31	9	5
70-8782	29	8	14
70-8896	19	4	15
70-9104	23	6	7
70-9114	31	9	2
70-9126	29	8	12
70-9127	15	2	9
70-9130	15	2	11
70-9198	15	2	25
70-9200	15	2	28
70-9206	45	13	28
70-9217	33	9	44
70-9526	21	5	5
70-9526	23	6	14
70-9626	15	2	14
70-9627	15	2	13
70-9698	45	13	42
70-9716	45	13	36
70-9737	21	5	6
70-9809	23	6	6
70-9809	27	7	36
70-9816	31	9	4
70-9816	29	8	15
70-9890	15	2	10
70-9995	45	13	46
71-1003	17	3	12
71-1003	35	10	8
71-1036	15	2	29
71-1044	33	9	54
71-1065	31	9	7
71-1091	9	—	—
71-1092	9	—	—
71-1093	9	—	—

NUMBER	PAGE	PLATE	CODE
71-1094	9	—	—
71-1096	9	—	—
71-1105	17	3	26
71-1106	17	3	2
71-1108	19	4	25
71-1118	27	7	27
71-1126	21	5	34
71-1131	29	8	10
71-1135	9	—	—
71-1135	21	—	—
71-1137	21	5	20
71-1138	21	5	39
71-1144	21	5	21
71-1145	21	5	19
71-1146	21	5	24
71-1148	21	5	38
71-1151	9	—	—
71-1153	17	3	11
71-1165	15	2	2
71-1166	15	2	1
71-1177	15	2	3
71-1195	15	2	34
71-1196	15	2	34
71-1327	21	5	7
75-2719	45	13	38
75-2725	45	13	43
75-5088	51	16	16
75-5099	51	16	19
75-5104	51	16	13
75-5105	51	16	15
75-5199	51	16	17
75-6594	67	22	12
75-6594	17	3	14
75-8009	67	22	6
75-8009	65	21	24
75-9045	71	23	23
76-0012	63	21	5
76-0101	61	20	21
76-0101	37	10	53
76-0138	21	5	15
76-0291	27	7	16
76-0293	29	8	34
76-0308	11	1	18
76-0378	11	1	17
76-0543	71	23	6
76-4116	31	9	1
76-9110	63	21	9
76-9136	71	23	24
76-9175	81	26	6
76-9325	49	15	28
82-2351	53	17	14
82-6042	39	11	25
82-6821	39	11	22
82-8140	61	20	26
82-8195	61	20	27
82-8245	49	15	12
82-8250	65	21	29
82-8253	61	20	33
82-8255	37	10	59
82-8277	73	23	49
82-8279	35	10	26
82-8280	35	10	26
82-8283	71	23	4
82-8291	47	14	10
82-8307	71	23	32
82-8319	73	23	53
82-8320	73	23	54
82-8347	59	19	30
82-8348	59	19	30
82-8382	37	10	32
82-8401	47	14	1
82-8402	47	14	1
82-8408	65	21	34
82-8409	63	21	8
82-9004	37	10	62

NUMBER	PAGE	PLATE	CODE
82-9008	67	22	7
82-9020	59	19	10
82-9020	59	19	12
82-9020	59	19	29
82-9020	59	19	38
82-9020	61	20	10
82-9020	61	20	14
82-9020	61	20	40
82-9020	73	23	40
82-9020	73	23	48
82-9020	73	23	62
82-9020	47	14	7
82-9020	45	13	24
82-9020	45	13	32
82-9020	45	13	35
82-9020	45	13	44
82-9020	15	2	23
82-9020	15	2	27
82-9024	37	10	52
82-9097	61	20	34
82-9192	61	20	3
82-9204	63	21	16
82-9204	67	22	16
82-9532	41	11	28
82-9536	41	11	50
82-9537	39	11	20
82-9538	41	11	51
82-9539	41	11	49
82-9602	43	12	44
82-9603	43	12	11
82-9608	43	12	12
82-9610	59	19	25
82-9611	63	21	7
82-9695	65	21	28
82-9696	65	21	28
82-9724	47	14	4
82-9771	59	19	25
82-9772	59	19	3
82-9788	35	10	7
82-9801	67	22	9
82-9805	47	14	4
82-9806	47	14	4
82-9850	47	14	4
82-9851	47	14	4
82-9967	43	12	6
83-0281	71	23	15
83-1318	39	11	21
83-1375	35	10	1
83-1460	39	11	10
83-1461	47	14	12
83-1517	39	11	19
83-1576	35	10	4
83-1576	9	—	—
83-1601	37	10	44
83-1603	73	23	37
83-1658	67	22	10
83-1659	67	22	4
83-1660	67	22	14
83-1661	67	22	14
83-1662	67	22	11
83-1679	73	23	60
83-1680	73	23	60
83-1684	83	27	26
89-0060	29	8	31
89-3208	41	11	39
89-3208	29	8	17
89-5036	51	16	7
90-3063	45	13	22
90-3064	45	13	21
90-6996	81	26	15
90-7029	41	11	45
97-1656	51	16	9
97-2090	51	16	30
97-2091	51	16	10

NUMERICAL INDEX—continued

NUMBER	PAGE	PLATE	CODE
97-2126	.. 51	.. 16	.. 25
97-2127	.. 51	.. 16	.. 12
97-2154	.. 51	.. 16	.. 11
97-2245	.. 49	.. 15	.. 29
97-2270	.. 49	.. 15	.. 15
97-2510	.. 51	.. 16	.. 3
97-2512	.. 51	.. 16	.. 3
97-2702	.. 49	.. 15	.. 2
97-2704	.. 49	.. 15	.. 8
97-2704	.. 21	.. 5	.. 26
97-2704	.. 29	.. 8	.. 24
97-2713	.. 73	.. 23	.. 38
97-3633	.. 51	.. 16	.. 18
97-3635	.. 51	.. 16	.. 6
97-3638	.. 51	.. 16	.. 8
97-3643	.. 51	.. 16	.. 22
97-3647	.. 51	.. 16	.. 22
97-3650	.. 59	.. 19	.. 17
97-3672	.. 51	.. 16	.. 14
97-3682	.. 49	.. 15	.. 14
97-3850	.. 59	.. 19	.. 40
97-3862	.. 49	.. 15	.. 10
97-3875	.. 49	.. 15	.. 31
97-3893	.. 51	.. 16	.. 28
97-3894	.. 51	.. 16	.. 27
97-3894	.. 33	.. 9	.. 39
97-3894	.. 29	.. 8	.. 9
97-3896	.. 59	.. 19	.. 1
97-3897	.. 59	.. 19	.. 15
97-3902	.. 9	.. —	.. —
97-3902	.. 51	.. —	.. —
97-3906	.. 51	.. 16	.. 20
97-3933	.. 51	.. 16	.. 21
97-3934	.. 51	.. 16	.. 29
281	.. 75	.. —	.. —
370	.. 75	.. —	.. —
380	.. 73	.. —	.. —
410	.. 75	.. —	.. —
411	.. 75	.. —	.. —
446	.. 75	.. —	.. —
643	.. 71	.. —	.. —
989	.. 75	.. —	.. —
1-6280	.. 71	.. 23	.. 19
19-952M	.. 69	.. 22	.. 54
19-978M	.. 69	.. 22	.. 44
16714	.. 71	.. 23	.. 27
31899	.. 71	.. 23	.. 20
33188	.. 71	.. 23	.. 28
34448	.. 73	.. 23	.. 34
35710	.. 73	.. 23	.. 66
36403	.. 73	.. 23	.. 67
38189	.. 75	.. 23	.. 68
38191	.. 75	.. 23	.. 69

NUMBER	PAGE	PLATE	CODE
45223	.. 73	.. 23	.. 35
49072	.. 71	.. 23	.. 21
49345	.. 73	.. 23	.. 44
53973	.. 71	.. 23	.. 33
59965	.. 75	.. 23	.. 72
59966	.. 75	.. 23	.. 72
59969	.. 75	.. 23	.. 72
59970	.. 75	.. 23	.. 72
110714	.. 73	.. —	.. —
112201	.. 75	.. —	.. —
137498	.. 75	.. —	.. —
144921	.. 73	.. —	.. —
144921	.. 75	.. —	.. —
188218	.. 75	.. 23	.. 75
188330	.. 73	.. —	.. —
504665	.. 75	.. —	.. —
516798	.. 75	.. 23	.. 74
516801	.. 75	.. —	.. 74
534296	.. 75	.. —	.. —
534343	.. 75	.. 23	.. 73
553248	.. 75	.. 23	.. 73
553738	.. 75	.. —	.. —
553780	.. 75	.. —	.. —
554354	.. 75	.. —	.. —
554602	.. 75	.. —	.. —
554710	.. 71	.. —	.. —
555910	.. 75	.. —	.. —
556442	.. 75	.. —	.. —
573828	.. 73	.. —	.. —
850641	.. 75	.. —	.. —
900288	.. 75	.. —	.. —
54027029	.. 75	.. —	.. —
54052889	.. 75	.. 23	.. 71
54052891	.. 75	.. 23	.. 71
54052907	.. 75	.. 23	.. 71
54052908	.. 75	.. 23	.. 71
54052909	.. 75	.. 23	.. 71
54140331	.. 73	.. 23	.. 65
54170009	.. 73	.. 23	.. 53
54190387	.. 75	.. 23	.. 76
54418528	.. 73	.. 23	.. 46
54420128	.. 73	.. 23	.. 58
54483156	.. 73	.. 23	.. 54
54522680	.. 75	.. 23	.. 74
54524526	.. 75	.. 23	.. 74
54571677	.. 73	.. —	.. —
54573590	.. 75	.. —	.. —
54577109	.. 73	.. —	.. —
54578212	.. 73	.. —	.. —
54578213	.. 73	.. —	.. —
54945043	.. 75	.. —	.. —
54953386	.. 73	.. —	.. —
54953387	.. 71	.. 23	.. 18
54953389	.. 71	.. 23	.. 18

NUMBER	PAGE	PLATE	CODE
54955258	.. 75	.. 23	.. 77
5495720	.. 75	.. 23	.. 77
54956431	.. 71	.. 23	.. 22
54956473	.. 71	.. 23	.. 22
376/093	.. 77	.. 24	.. 14
376/100	.. 77	.. 24	.. 9
622/050	.. 77	.. 24	.. 13
622/060	.. 77	.. 24	.. 5
622/061	.. 77	.. 24	.. 26
622/062	.. 77	.. 24	.. 4
622/067	.. 77	.. 24	.. 25
622/068	.. 77	.. 24	.. 12
622/069	.. 77	.. 24	.. 11
622/071	.. 77	.. 24	.. 10
622/073	.. 77	.. 24	.. 18
622/076	.. 77	.. 24	.. 21
622/077	.. 77	.. 24	.. 20
622/078	.. 77	.. 24	.. 16
622/082	.. 77	.. 24	.. 22
622/086	.. 77	.. 24	.. 1
622/086	.. 77	.. 24	.. 17
622/098	.. 77	.. 24	.. 2
622/101	.. 77	.. 24	.. 23
622/122	.. 77	.. 24	.. 7
622/124	.. 77	.. 24	.. 24
622/128	.. 77	.. 24	.. 8
622/129	.. 77	.. 24	.. 3
928/060	.. 77	.. 24	.. 5
928/060	.. 77	.. 24	.. 5
928/062	.. 77	.. 24	.. 4
928/064	.. 77	.. 24	.. 2
928/098	.. 77	.. 24	.. 2
5307/1/07	.. 71	.. 23	.. 25
41-148-203-10	.. 71	.. 23	.. 17
DF9110/00	.. 71	.. 23	.. 10
DF9110/02	.. 71	.. 23	.. 12
RSM3003/06	.. 71	.. 23	.. 5
SSM5001/04	.. 71	.. 23	.. 16
SSM5001/05	.. 71	.. 23	.. 16
R626/005	.. 77	.. 24	.. 6
R928/005	.. 77	.. 24	.. 6
L930/005	.. 77	.. 24	.. 19
R930/005	.. 77	.. 24	.. 6
SF725H	.. 73	.. 23	.. 64
SF725L	.. 73	.. 23	.. 64