



PART No. PBOX00206

BOYER BRANSDEN ELECTRONICS LTD

Frindsbury House, Cox Lane, Detling,
Maldstone, Kent ME14 3HE.

Telephone: 01622 730939.

Facsimile: 01622 730930.

THE POWER BOX DYNAMO REGULATOR TYPE 6 VOLT POSITIVE EARTH.

This unit is designed to replace the mechanical voltage regulator and cutout used on many motorcycles using the LUCAS E3 TWO BRUSH DYNAMO. This dynamo is designed to charge a 60 watt system, but when connected to a POWER BOX electronic dynamo regulator it will charge at over 80 watts without placing undue load on the dynamo windings. It will also replace the electronic aftermarket direct current regulators. The E3 dynamo can be polarized to run positive or negative earth, but the correct regulator must be used.

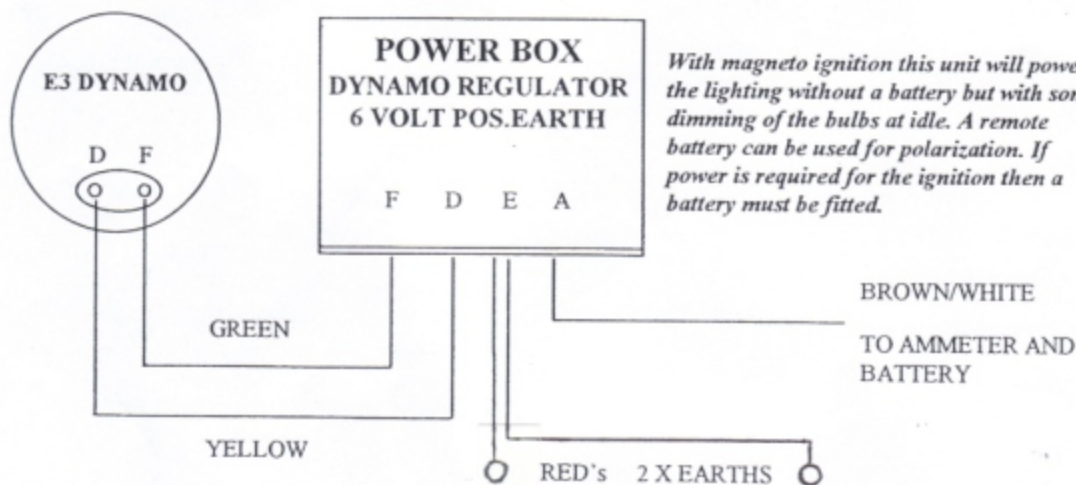
(Check the part number and wiring colours on the unit being used).

DYNAMO POLARIZATION. (This should be done if the machine has stood without running for a long period and has stopped charging, or has been rebuilt.)

With the battery connected the correct way round with its POSITIVE to frame, connect a wire from the negative terminal to the (F) Field terminal of the dynamo, hold this wire on to the terminal for two seconds and repeat this three or four times. The dynamo will now be polarized positive earth. This should be done with the (F) field wire disconnected for best results, but once charging the power box will maintain the polarized field magnet.

WIRING:- For best results use modern crimp up or screw terminals and hide them under the unit if required. Soldered connections will fracture with vibration unless a strong shrink sleeve is used.

TWO EARTH(GROUND) WIRES ARE PROVIDED, these should be connected to a good earth point that cannot be broken. If either or both wires are broken the unit will low charge, if the wires are joined and broken from earth the dynamo will over charge and could burn out. Many older machines have no fusing in the main battery feed, we suggest a 15 to 18 amp inline fuse be fitted when this unit is used.



MOUNT IN ANY POSITION, THE LUCAS COVER CAN BE PUSHED OVER THE UNIT AND HELD WITH LOCKING WIRE OR CLEAR PLASTIC STRAP. THIS WILL GIVE AN ORIGINAL APPEARANCE WHEN REQUIRED

Boyer Bransden Ignitions
Electrifying Performance

Registered Office:
Frindsbury House, Cox Lane,
Detling, Maldstone, Kent ME14 3HE.
Registered Number: 1087017.
Directors: E J Bransden, K G Bransden.

DREG6VP.PUB