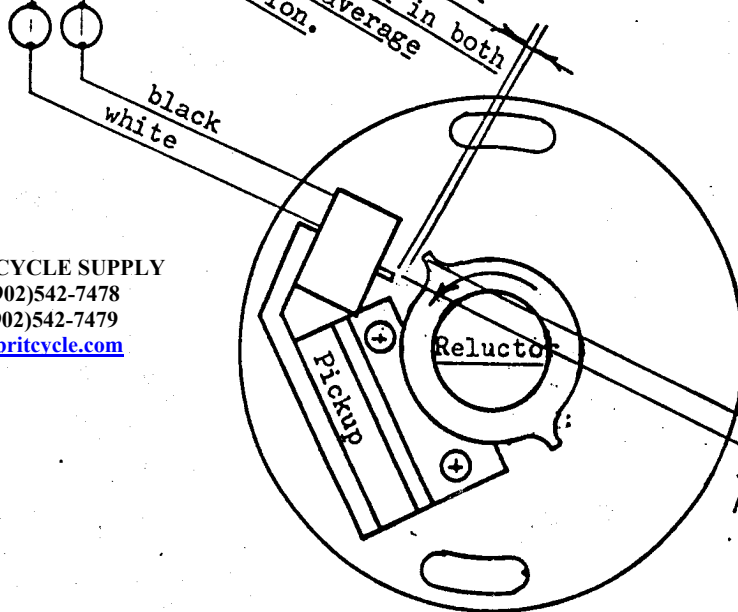


Note. The Amplifier can be damaged if the H.T. voltage does not go to earth. Therefore do not exceed a 5mm. air gap when testing the coil H.T. output.

*0.2—0.3mm (.008"—.012")
Radial Clearance. Set with
feeler gauges. Check in both
positions and average
the variation.*



*5mm. Approximate firing position
at Full Advance. Set with spacer
supplied. Check strobically at
6,500 R.P.M.*

BRITISH CYCLE SUPPLY
Call (902)542-7478
Fax (902)542-7479
info@britcycle.com