

TIMING SIDE

Pt. No.

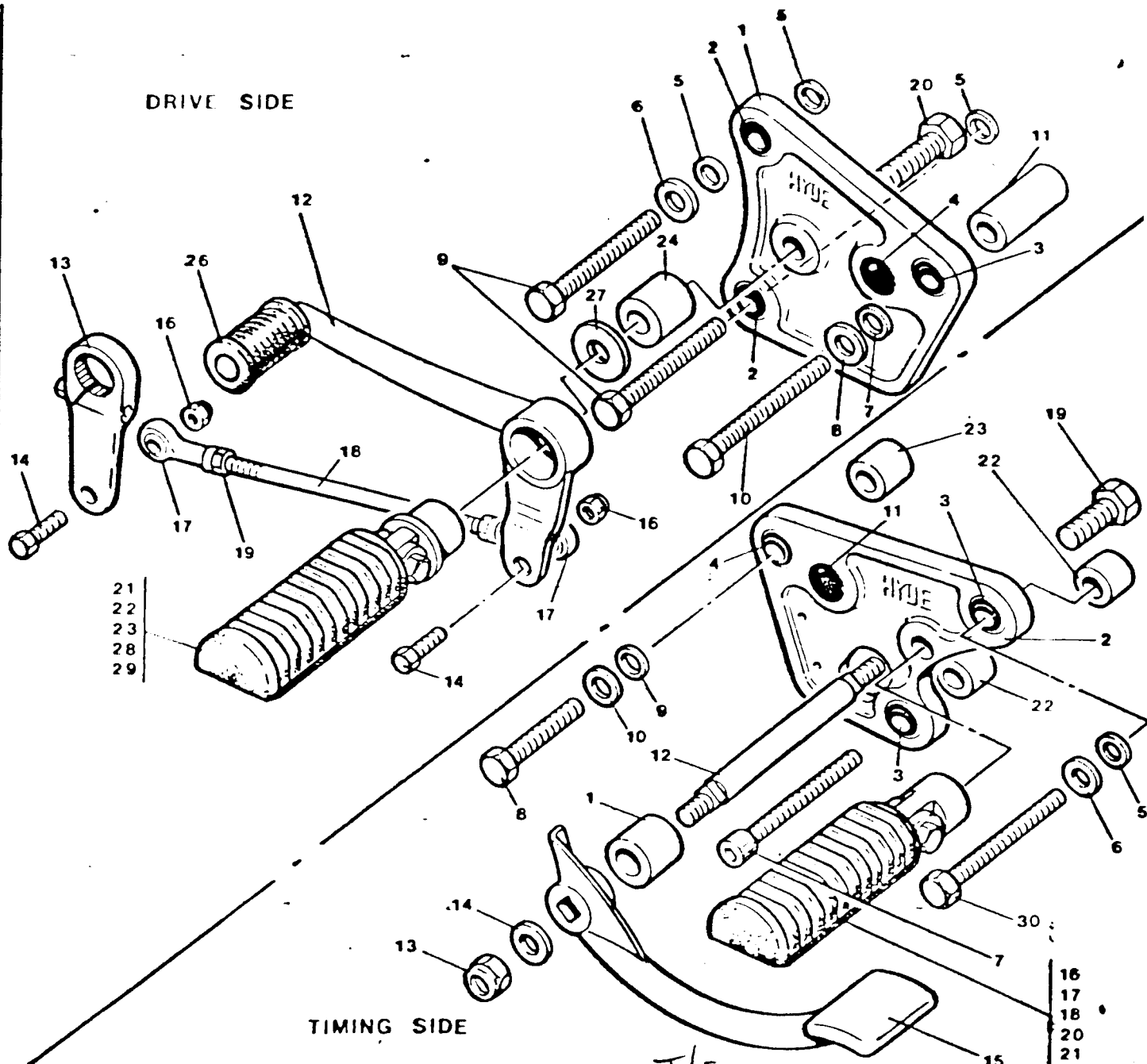
1.	Spacer $\frac{1}{8}$ "0/Dx37/64I/Dx9/16"	1	off	1132
2.	Aluminium side plate	1	"	1100
3.	Rubber/metal bush 5/16" bore	2	"	1109
4.	" " " $\frac{3}{8}$ " "	1	"	1133
5.	Washer 0.32"x9/16"x0.05"	1	"	1113
6.	" 0.32"x $\frac{7}{8}$ "x0.05"	1	"	1114
7.	Allen screw 3"x5/16"UNF	2	"	1110
8.	Bolt " 1 $\frac{3}{4}$ "x $\frac{3}{8}$ "UNF	1	"	1134
9.	Washer 0.39"x $\frac{5}{8}$ "x0.05"	1	"	1135
0.	" 0.39"x $\frac{7}{8}$ "x0.05"	1	"	1136
11.	Blind grommet	1	"	1108
12.	Pedal spindle	1	"	1137
13.	$\frac{3}{8}$ " UNF locking nut	1	"	1138
14.	" washer	1	"	1139
15.	Brake pedal	1	"	1101
16.	Footrest boss	1	"	1147
17.	" blade	1	"	1150
18.	" rubber	1	"	1107
19.	Bolt $\frac{3}{8}$ "UNFx $\frac{7}{8}$ "	1	"	1118
20.	Bolt 5/16"UNF x 1"	1	"	1119
21.	Nut " " locking	1	"	1120
22.	Spacer 21/64" I/Dx $\frac{5}{8}$ "0/Dx5/16"	2	"	1111
23.	" 25/64" " " " "	1	"	1140

DRIVE SIDE

1.	Aluminium side plate	1	off	1099
2.	Rubber/metal bush 5/16" bore	2	"	1109
3.	" " " $\frac{3}{8}$ " "	1	"	1133
4.	Blind grommet	1	"	1108
5.	Washer 0.32"x9/16"x0.05"	3	"	1113
6.	" 0.32"x $\frac{7}{8}$ "x0.05"	1	"	1114
7.	" 0.39"x $\frac{5}{8}$ "x0.05"	1	"	1135
8.	" 0.39"x $\frac{7}{8}$ "x0.05"	1	"	1136
9.	Bolt 3"x5/16"UNF	2	"	1149
10.	" 3 $\frac{1}{4}$ "x $\frac{3}{8}$ "UNF	1	"	1141
11.	Spacer 1.635"x25/64"x $\frac{5}{8}$ "	1	"	1142
12.	Gear pedal	1	"	1122
13.	Operating lever	1	"	1131
14.	Bolt $\frac{1}{4}$ "UNFx $\frac{7}{8}$ "	2	"	1128
16.	Locking nut $\frac{1}{4}$ "UNF	2	"	1130
17.	Rose joint	2	"	1125
18.	Rod 5 $\frac{1}{2}$ "0/A	1	"	1143
19.	$\frac{1}{4}$ " UNF $\frac{1}{2}$ nuts	2	"	1126
20.	Bolt $\frac{3}{8}$ "UNF x 2 $\frac{1}{4}$ "	1	"	1145
21.	Footrest boss	1	"	1105
22.	" rubber	1	"	1107
23.	" blade	1	"	1106
24.	" spacer 1 $\frac{1}{4}$ "Lx25/64" I/Dx $\frac{3}{4}$ "0/D	1	off	1144
26.	Gear pedal rubber	1	"	1124

NORMAN HYDE FOOTREST KIT T160

1. Check all parts against list.
2. Assemble as diagrams with grease at gear pedal pivot.
3. Adjust gear linkage rod length to affect pedal height.



- 21
- 22
- 23
- 28
- 29

- 16
- 17
- 18
- 20
- 21

- 27. Washer 25/64"x1"x0.05" 1 off 1148
- 28. Pivot bolt 5/16"UNFx1" 1 " 1119
- 29 " " - nut 1 " 1120

- T/S
 30. 3" x 5/16" UNF BOLT 1 off

pp 1144
 1124