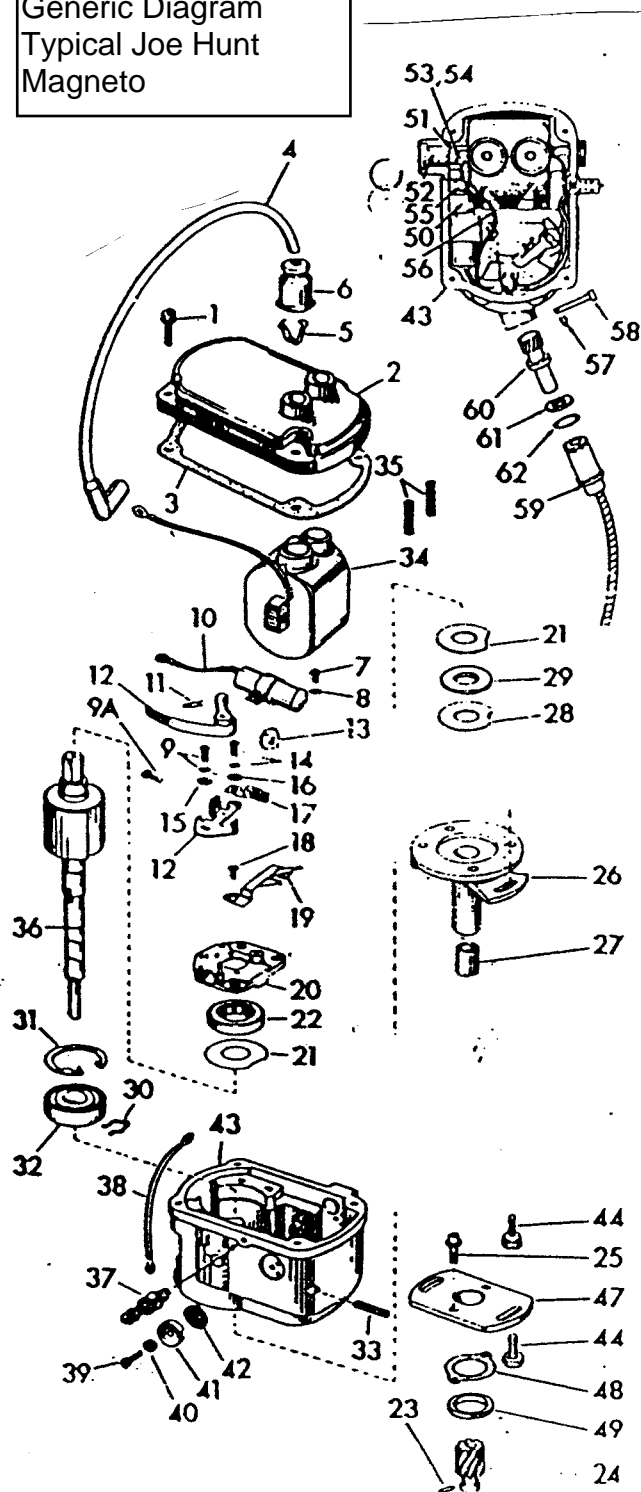


Generic Diagram
Typical Joe Hunt
Magneto



- 10 Condenser and Bracket
- 11 Fulcrum Pin Snap Ring
- 12 Set of Points
- 13 Breaker Arm Wick
- 14 Contact Support Screw and Washer
- 15 Contact Support Screw Washer
- 16 Contact Support Screw Washer
- 17 Cam Wick and Holder
- 18 Bearing Support Screw (4)
- 19 Safety Gap (To late 1964)
- 20 Bearing Support
- 21 Rotor Drive (1) Grease Retainer Washer (1)
- 22 Rotor Cam End Bearing
- 23 Rotor Drive Gear Pin
- 24 Rotor Drive Gear
- 25 Drive Housing Screw (4)
- 26 Drive Housing
- 26A
- 26B
- 26C
- 27 Drive Housing Bushing
- 28 Rotor Drive End Seal Outer Washer
- 29 Rotor Drive End Seal
- 30 Rotor Drive End Shaft Snap Ring
- 31 Rotor Drive End Bearing Snap Ring
- 32 Rotor Drive End Bearing
- 33 Coil Bridge Set Screw (2)
- 34 Coil
- 35 Coil Lead Spring (2)
- 36 Rotor
- 37 Primary Ground Switch Terminal
- 38 Ground Switch Terminal Wire
- 39 Vent Cover Screw (2)
- 40 Vent Cover Washer (2)
- 41 Vent Cover (2)
- 42 Vent Screen (2)
- 43 Housing
- 44 Adapter to Magneto Bolt (2)
- 45 Adapter to Magneto Bolt Nut (2)
- 46 Adapter Screw (2)
- 47 Adapter (1964 & earlier)
- 47A Inner Adapter Plate (1965)
- 47B Outer Adapter Plate (1965)
- 48 Adapter to Crankcase Gasket (Early 1965)
- 49 Magneto to Crankcase Oil Seal Ring
- 50 Ground Switch Lock Insulating Block
- 51 Retainer Clip
- 52 Switch Lock Body
- 53 Spring
- 54 Ball
- 55 Insulating Block Terminal Screw
- 56 Ground Switch Lock Wire
- 57 Tachometer Drive Retaining Pin Clip
- 58 Tachometer Drive Retaining Pin
- 59 Tachometer Drive Cable
- 60 Tachometer Drive Gear
- 61 Tachometer Drive Gear Thrust Washer
- 62 Tachometer Drive Cable O-Ring
- 63
- 64
- 65
- 66
- 67
- 68 Set Screw (1965 to early 1967)
- 69 Set Screw Spring (1965 to early 1967)
- 70 Roll Pin (Late 1967)

- 1 End Cap Screw (4)
- 2 End Cap
- 3 End Cap Gasket
- 4 Spark Plug Cable (2)
- 5 Spark Plug Cable Terminal (2)
- 6 Cable Protector (2)
- 7 Condenser Mounting Screw
- 8 Condenser Mounting Washer
- 9 Breaker Arm Terminal Screw
- 9A Contact Support Screw